

THIS IS ISSUED IN STRICT CONFIDENCE ON CONDITION THAT IT IS NOT USED AS A BASIS FOR MANUFACTURE OR SALE, AND THAT IT IS NOT COPIED, REPRINTED OR DISCLOSED TO A THIRD PARTY EITHER WHOLLY OR IN PART WITHOUT THE PRIOR WRITTEN CONSENT OF ITT CANNON.

DWG NO.	028030Y0103	SH	I	REV	-
REV	DCR	DESCRIPTION		DATE	APPROVAL
-	-	INITIAL DRAWING RELEASE			

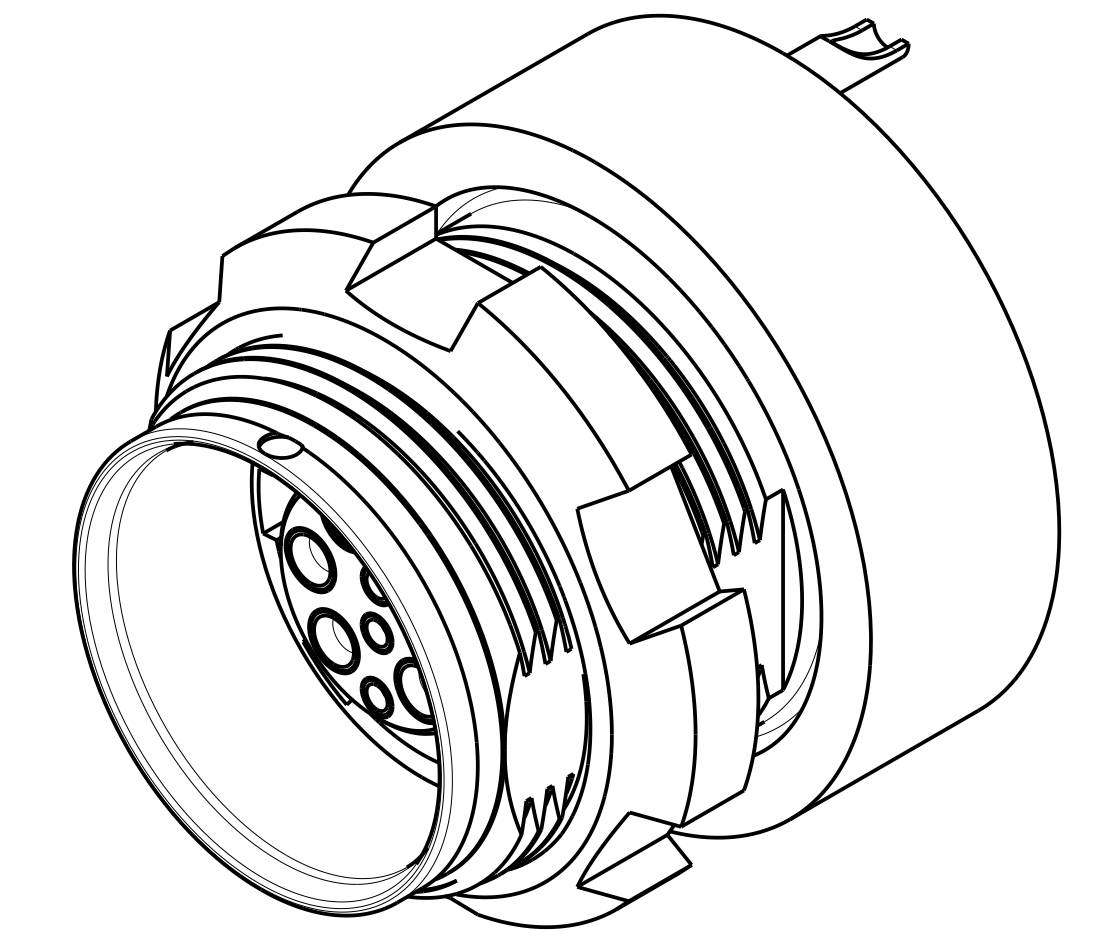
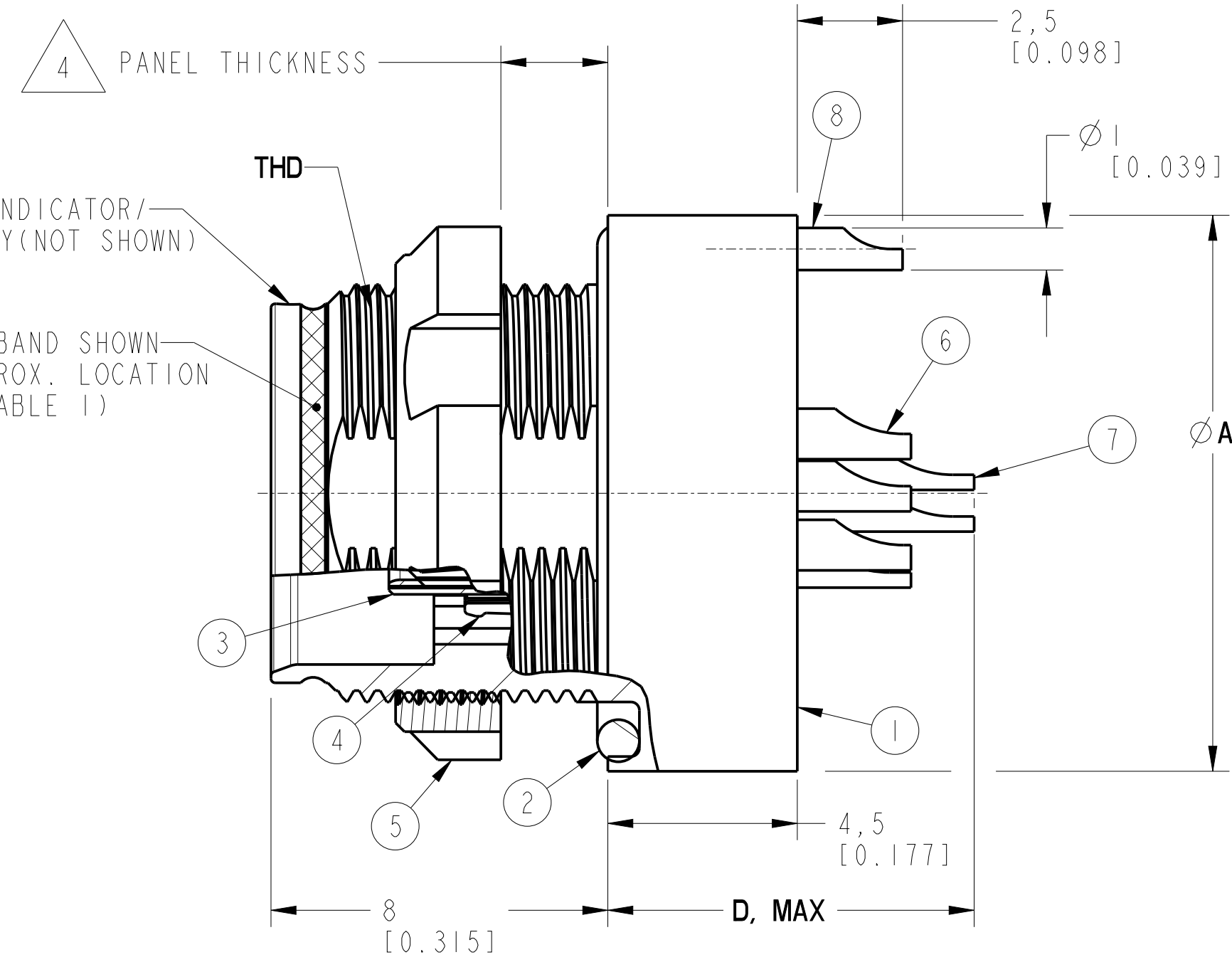
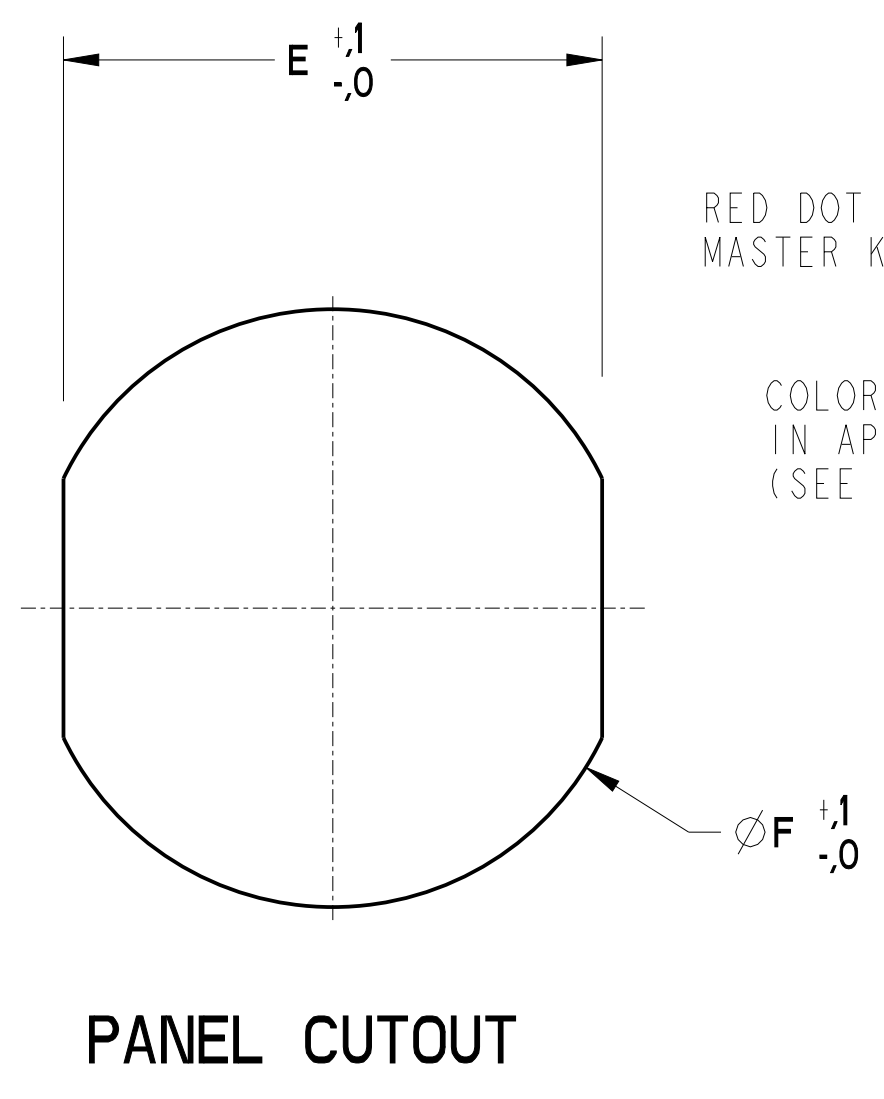
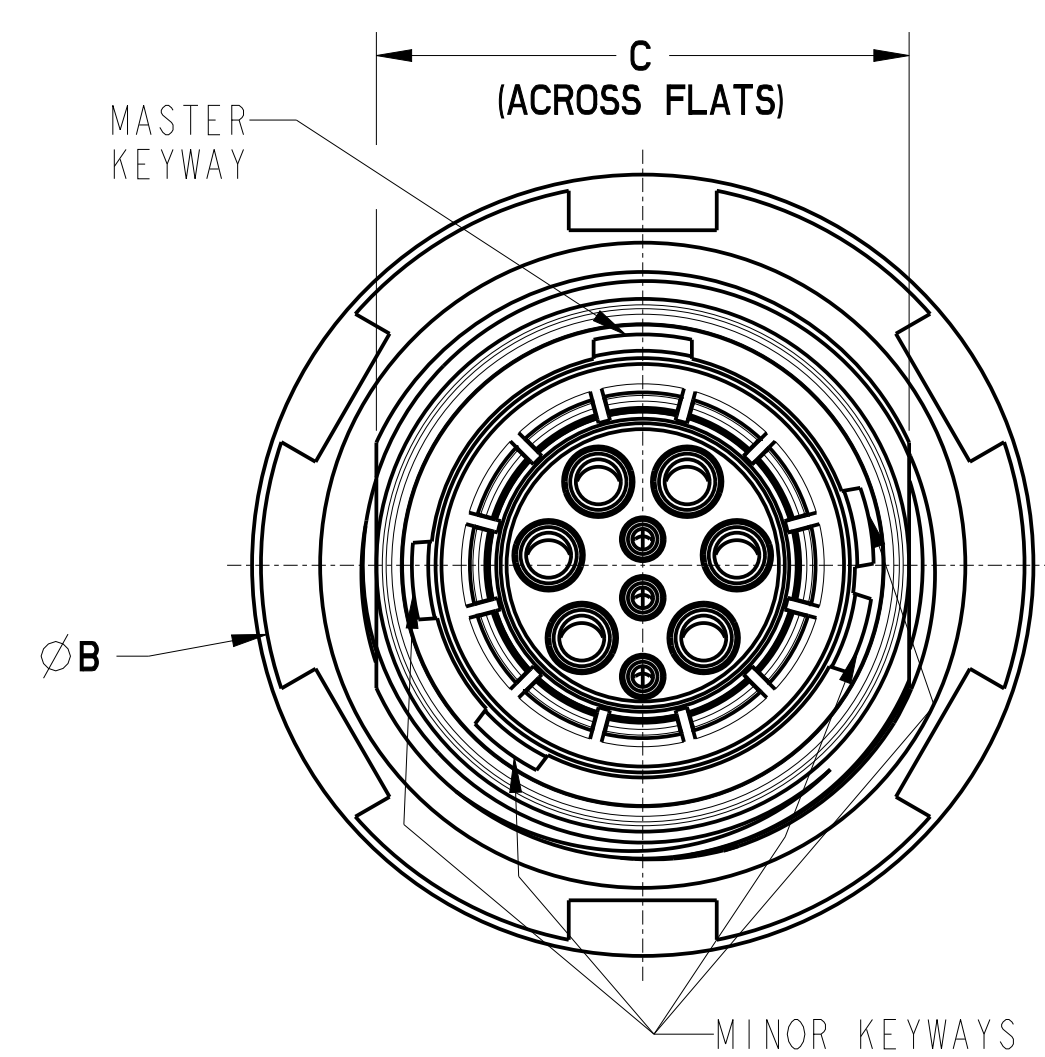


TABLE I - CLOCKING ARR.

CLOCKING	COLOR BAND
A	BROWN
B	RED
C	BLUE
D	GREEN

TABLE II - LAYOUTS & DIMENSIONS

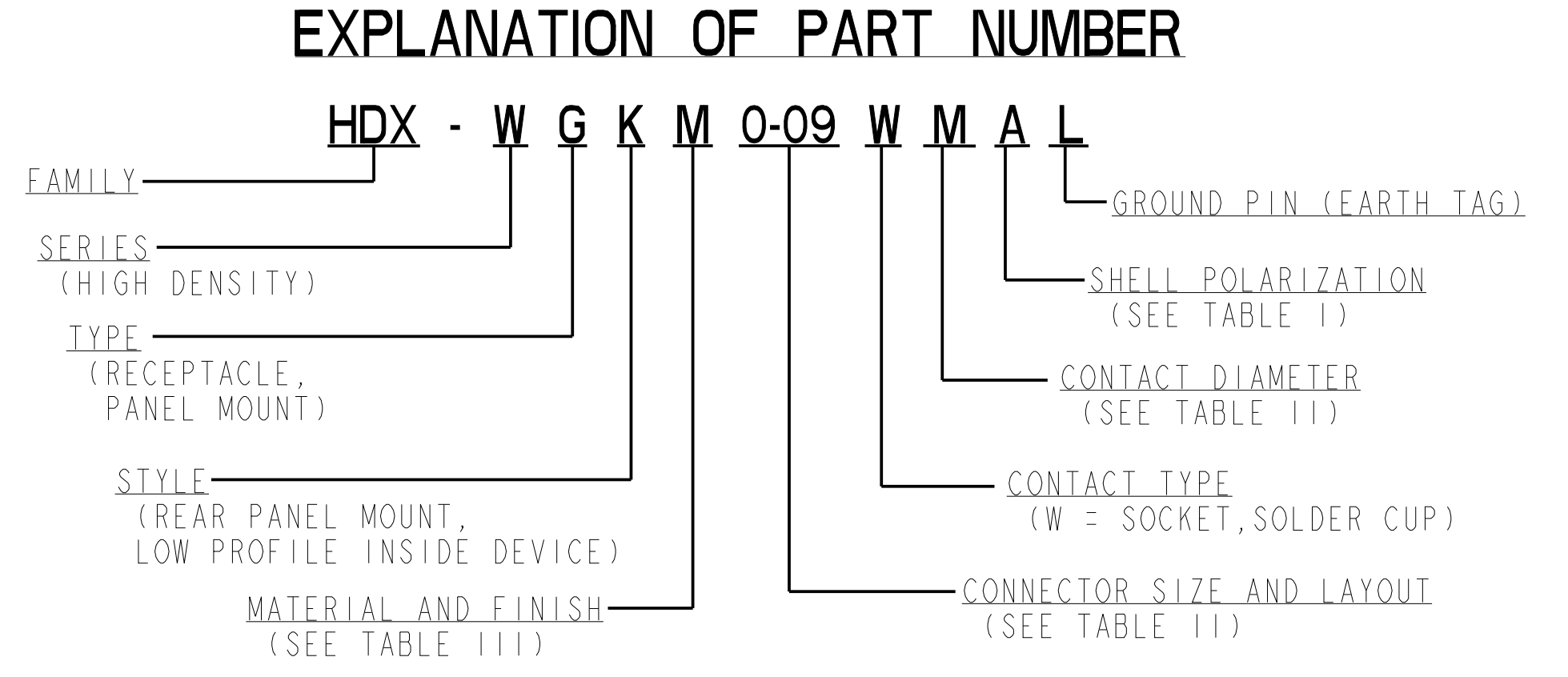
SIZE - LAYOUT	CONTACT DIAMETER	ØA	ØB	C	D, MAX	E	ØF	THD
0-09	M - MULTI			9	8,7	9,1	10,1	M10 X 0,5
0-12	M - MULTI	13,2 [.52]	13 [.512]	9 [.354]	8,7 [.343]	9,1 [.358]	10,1 [.398]	
0-16	B - 0,3mm							
1-20	M - MULTI	15,3 [.602]	15 [.591]	11,5 [.453]	10,2 [.402]	11,6 [.457]	12,1 [.476]	M12 X 0,5
1-27	B - 0,3mm							

TABLE III - MATERIALS AND FINISHES

ITEM NUMBER	COMPONENT	MATERIAL	PLATING
1	RECEPTACLE SHELL	M - BRASS/ RUTHENIUM OVER ELECTROLESS NICKEL (ROH)	
2	FLANGE O-RING	FLUOROSILICONE	N/A
3	INSULATOR	POLYETHERIMIDE, GF	N/A
4	INTERNAL SPRING	BE CU.	GOLD OVER NICKEL
5	PANEL NUT	ALUM. ALLOY	HARD BLACK ANODIZE
6	POWER CONTACTS	COPPER ALLOY	GOLD OVER NICKEL
7	SIGNAL CONTACTS	COPPER ALLOY	GOLD OVER NICKEL
8	GROUND PIN	COPPER ALLOY	GOLD OVER NICKEL
9 (NOT SHOWN)	POTTING MATER'L	THERMOSET EPOXY	NA

PERFORMANCE PROPERTIES

POWER CONTACTS, 0,7mm	AWG 22 CURRENT RATING 5A (SINGLE CONTACT)
SIGNAL CONTACTS, 0,3mm	AWG 28 CURRENT RATING 1A (SINGLE CONTACT)
INSULATION RESISTANCE	100 MΩ MINIMUM
DWV	NO BREAKDOWN AT OR BELOW 1000 VDC
RATED VOLTAGE	250V
OPERATING TEMPERATURE	-51°C TO +125°C
WATER TIGHTNESS	20m DEPTH FOR 120 MIN (1PX8) PER MIL-STD-810G METHOD 512.5, PROCEDURE I
VIBRATION	15g (SINE), 10-2,000HZ, NO DISCONTINUITY>1µs EIA-364-28F
SHOCK	50g AMPLITUDE, 1/2 SINE PULSE OF 6ms, NO DISCONTINUITY>1µs EIA-364-27C
MECHANICAL DURABILITY	5,000 MATING CYCLES



- NOTES: UNLESS OTHERWISE SPECIFIED.
- DIMENSION UNITS: MM [INCH]. INCHES ARE FOR REFERENCE ONLY.
 - FOR ADDITIONAL CAVITY LAYOUT INFORMATION, REF CSA-HDX.
 - RECOMMENDED PANEL TORQUE IS 1Nm [8.8 in-lbs].
 - 4mm MAX WHEN MATED TO HDX-BREAKAWAY SERIES PLUGS.
1,65mm MAX WHEN MATED TO HDX-LOCKING SERIES PLUGS.
 - FOR SPANNER TOOLING SEE DRAWING 317-2187-050.
 - CONSULT FACTORY FOR TOOLS AND/OR TERMINATION PROCESS.

RoHS COMPLIANCE CODE

NTC - not RoHS compliant
 ROC - RoHS not hi-temp
 ROH - RoHS & hi-temp (260°C)
 NOTE - REFER TO TABLE/NOTES

NOTE

ITT Cannon LLC
 56 Technology Drive, IRVINE, CA 92618

UNLESS OTHERWISE SPECIFIED: METRIC	WEIGHT	CRITICAL DIM	0
DEFAULT ANGLE TOLERANCE IS ±1°	DENSITY	SPC DIM	0
DEFAULT LENGTH TOLERANCE IS ±0.13 MM (.005) IN.	VOLUME	KEY CHARACTERISTIC	0
REMOVE ALL BURRS AND SHARP EDGES 0.13 (.005) MAX.			
SURFACE FINISH SHALL BE 1.6 µM (63 µIN) RMS MAX.			
DRAWN C. HA	DATE 02/18/22	SURFACE AREA	
CHECKED A. ABLOTT	DATE 04/01/22	REF	
APPROVED S. VILLARRUEL	DATE 04/01/22	PART NO	VARIOUS
UNLESS OTHERWISE SPECIFIED: METRIC	SCALE	DESCRIPTION	
DIMENSIONS ARE IN MM'S AND INCHES!	8.000	CONNECTOR, RECEPTACLE, ELECTRICAL	
DIMENSIONAL LIMITS APPLY BEFORE PLATING.	CAGE CODE	HDx, J/N, REAR MNT	
DIM'S AND TOL'S ARE PER ASME Y14.5M-1994.	71468	SOCKET, SOLDER CUP, MSTR DWG	
DO NOT SCALE DRAWING.	SIZE	SHEET	
3RD ANGLE PROJECTION	D	1 / 1	
	USE		
	C		
		028030Y0103	
			REV -