



Slide Beam2424-248

SKU: 60858 Weight: 153.00 Gram

What Is Slide Beam2424-248?

Slide Beam**2424-248** is a frequently-used mechanical part of Makeblock platform, and also compatibles with most Makeblock mechanical components. There are various mounting holes and a threaded slot on the plane of this beam which allow you to assemble on other structures easily.

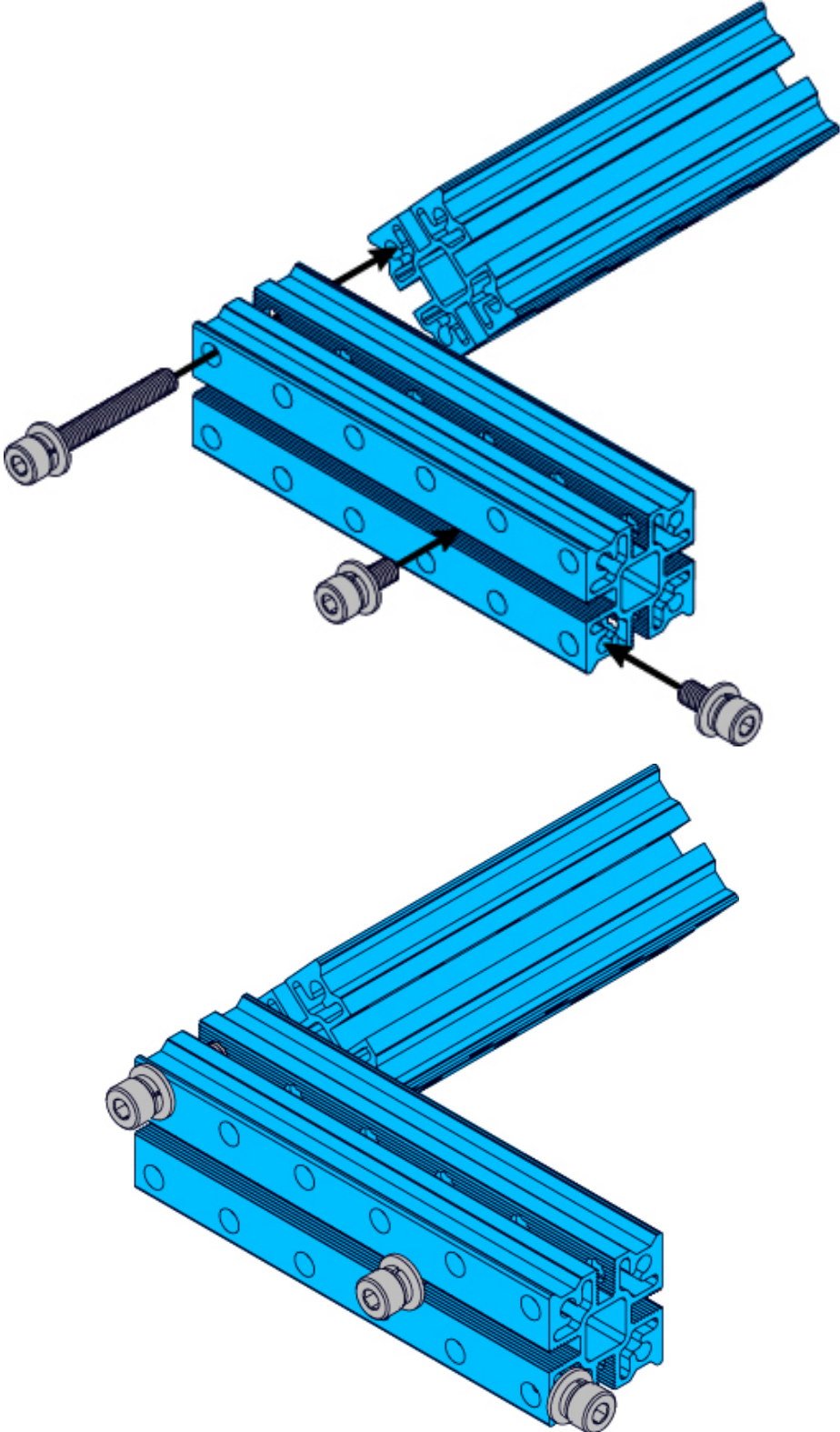
Features

? Made from heavy-duty 6061 aluminum extrusion and has a nice appearance. With holes on 16mm increments, and M4 threaded holes on both ends.

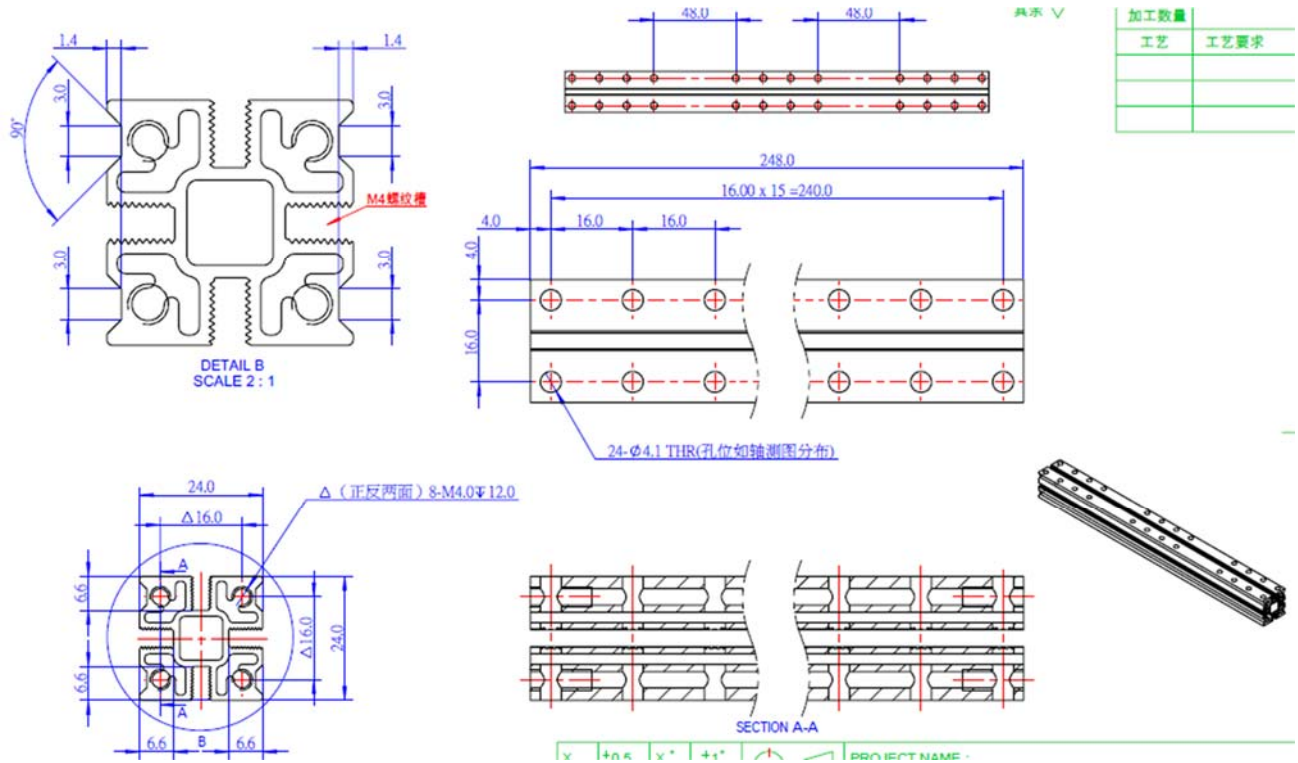
? High wear resistance, strong rigidity and high intensity.

? Cross-section area: 24*24mm, length: 248mm.

DEMO



Size Charts



加工数量	
工艺	工艺要求

Specifications

SKU	60858
Product Name	Slide Beam2424-248
Length	248mm
Cross-section Area	24x24x248mm
Gross Weight	153g(5.4oz)
Package Content (Quantity x Part Name)	1 x Slide Beam2424-248



https://store.makeblock.com/index.php?route=product/product&product_id=6855/2-20-1-9