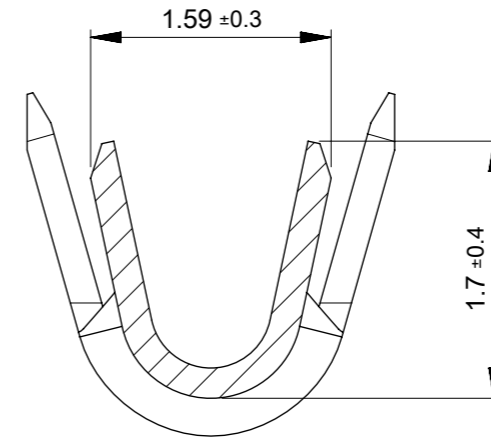
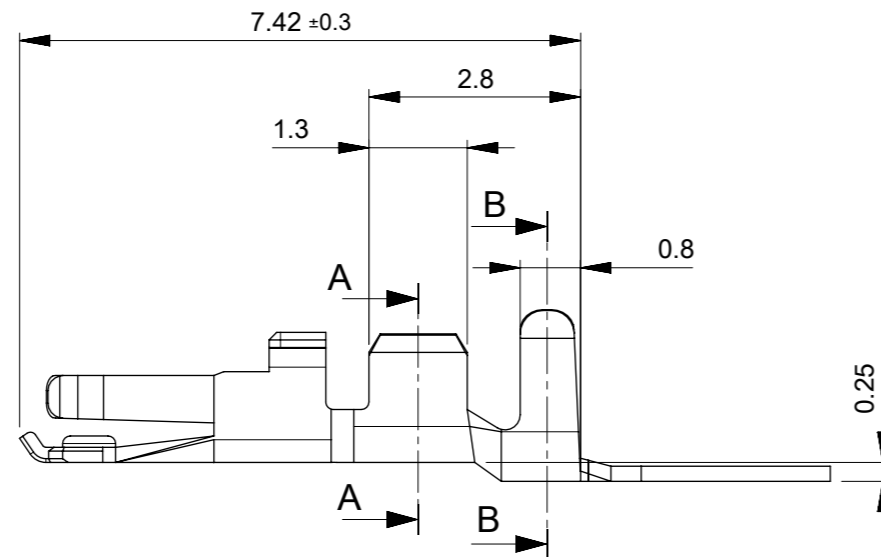
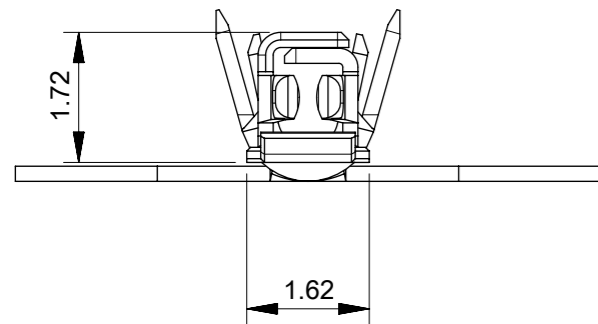
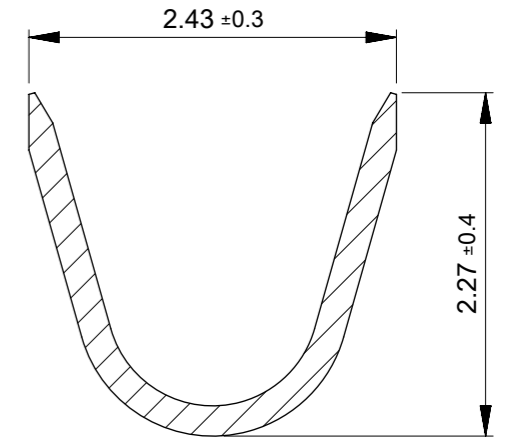


注記:
NOTES:

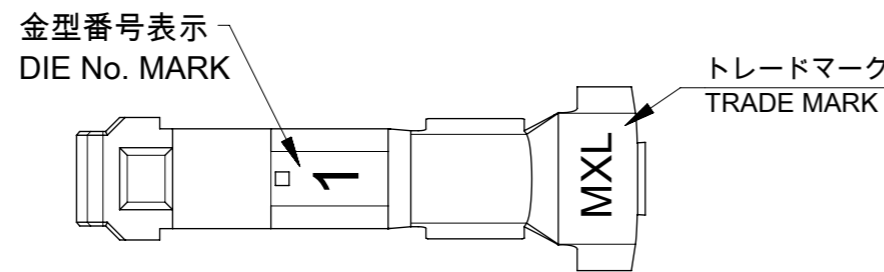
- △1 材質及び仕上げ(めっき仕様): TABLE 1参照
MATERIAL AND FINISHES (PLATING SPECIFICATION): SEE TABLE 1
- △2 製品仕様書、コネクタ取扱説明書、適合嵌合相手、適合ハウジングはSHEET 2参照
PLEASE REFER TO SHEET 2 FOR PRODUCT SPECIFICATION, APPLICATION SPECIFICATION,
MATE WITH AND APPLICABLE HOUSING.



SECTION A-A
SCALE 20:1



SECTION B-B
SCALE 20:1



△1 TABLE 1

部品 PART	材質 MATERIAL	
ターミナル TERMINAL	母材 BASE METAL	銅合金 COPPER ALLOY
	接点部 CONTACT	錫めっき: 0.7 MICROMETER MINIMUM リフロー処理(前めっき) MATTE TIN: 0.7 MICROMETER MINIMUM. HEAT TREATED MATTE TIN (PRE-PLATING)
DOCUMENT STATUS	P1	RELEASE DATE 2022/06/30 07:36:24

Φ0.9 ~ Φ1.5	AWG: #22-#26	リール REEL	5055721000	連鎖状 CHAIN
絶縁被覆外径範囲 INSULATION RANGE	適合電線範囲 WIRE RANGE	梱包形態 PACKAGING	発注番号 ORDER NUMBER	端子形状 FORM

THIS DRAWING CONTAINS INFORMATION THAT IS PROPRIETARY TO MOLEX ELECTRONIC TECHNOLOGIES, LLC AND SHOULD NOT BE USED WITHOUT WRITTEN PERMISSION		CURRENT REV DESC: REVISED		molex		
DIMENSION UNITS	SCALE	EC NO: 682239				
mm	NTS	DRWN: SOKUMURA01 2021/02/24		PRODUCT CUSTOMER DRAWING		
GENERAL TOLERANCES (UNLESS SPECIFIED)		CHK'D: SAKIYAMA 2022/06/30		DOCUMENT NUMBER		
ANGULAR TOL	± 3.0 °	APPR: AIDA 2022/06/30		5055721000		
4 PLACES	± 0.2	INITIAL REVISION:		DOC TYPE		
3 PLACES	± 0.2	DRWN: YUCHIKAWA 2016/01/20		PSD		
2 PLACES	± 0.2	APPR: TKANEKO 2016/04/18		000		
1 PLACE	± 0.2	THIRD ANGLE PROJECTION		E		
0 PLACES	± 0.2	DRAWING		SHEET NUMBER		
DRAFT WHERE APPLICABLE MUST REMAIN WITHIN DIMENSIONS		A3-SIZE		1 OF 2		
		SERIES		CUSTOMER		
		505572		GENERAL		
		MATERIAL NUMBER		SEE CHART		

△ 2 適合製品及び各種仕様書 APPLICABLE PRODUCTS AND VARIOUS SPECIFICATIONS

梱包仕様書 PACKAGING SPECIFICATION	5055729200 PS 200
----------------------------------	-------------------

適合ハウジング シリーズ番号 APPLICABLE HOUSING SERIES NUMBER	505570
--	--------

適合嵌合相手 MATE WITH	タイプ TYPE	WIRE TO BOARD		WIRE TO WIRE
		VERTICAL	RIGHT ANGLE	
	シリーズ番号 SERIES NUMBER	505575	505578	213719
製品仕様書 PRODUCT SPECIFICATION		5055700001 PS 000		5055700003-PS PS 000
コネクタ取扱説明書 APPLICATION SPECIFICATION		5055700001 PS A03		

製品嵌合図は各適合嵌合相手図面を参照のこと。
MATING VIEW : REFER TO EACH "MATE WITH" PART DRAWING.

THIS DRAWING CONTAINS INFORMATION THAT IS PROPRIETARY TO MOLEX ELECTRONIC TECHNOLOGIES, LLC AND SHOULD NOT BE USED WITHOUT WRITTEN PERMISSION									
DIMENSION UNITS	SCALE	CURRENT REV DESC: REVISED					molex		
mm	NTS								
GENERAL TOLERANCES (UNLESS SPECIFIED)							MICRO-LOCK PLUS 2.0 RECEPTACLE CRIMP TERMINAL TIN PLATING		
ANGULAR TOL	± 3.0 °						PRODUCT CUSTOMER DRAWING		
4 PLACES	± 0.2	EC NO: 682239				DOCUMENT NUMBER			
3 PLACES	± 0.2	DRWN: SOKUMURA01	2021/02/24			5055721000		DOC TYPE	DOC PART
2 PLACES	± 0.2	CHK'D: SAKIYAMA	2022/06/30					PSD	000
1 PLACE	± 0.2	APPR: AIDA	2022/06/30						E
0 PLACES	± 0.2	INITIAL REVISION:						REVISION	
DRAFT WHERE APPLICABLE MUST REMAIN WITHIN DIMENSIONS		DRWN: YUCHIKAWA	2016/01/20						
		APPR: TKANEKO	2016/04/18						
		THIRD ANGLE PROJECTION	DRAWING	SERIES	MATERIAL NUMBER	CUSTOMER		SHEET NUMBER	
			A3-SIZE	505572	SEE SHEET 1	GENERAL		2 OF 2	

DOCUMENT STATUS	P1	RELEASE DATE	2022/06/30	07:36:24
-----------------	----	--------------	------------	----------