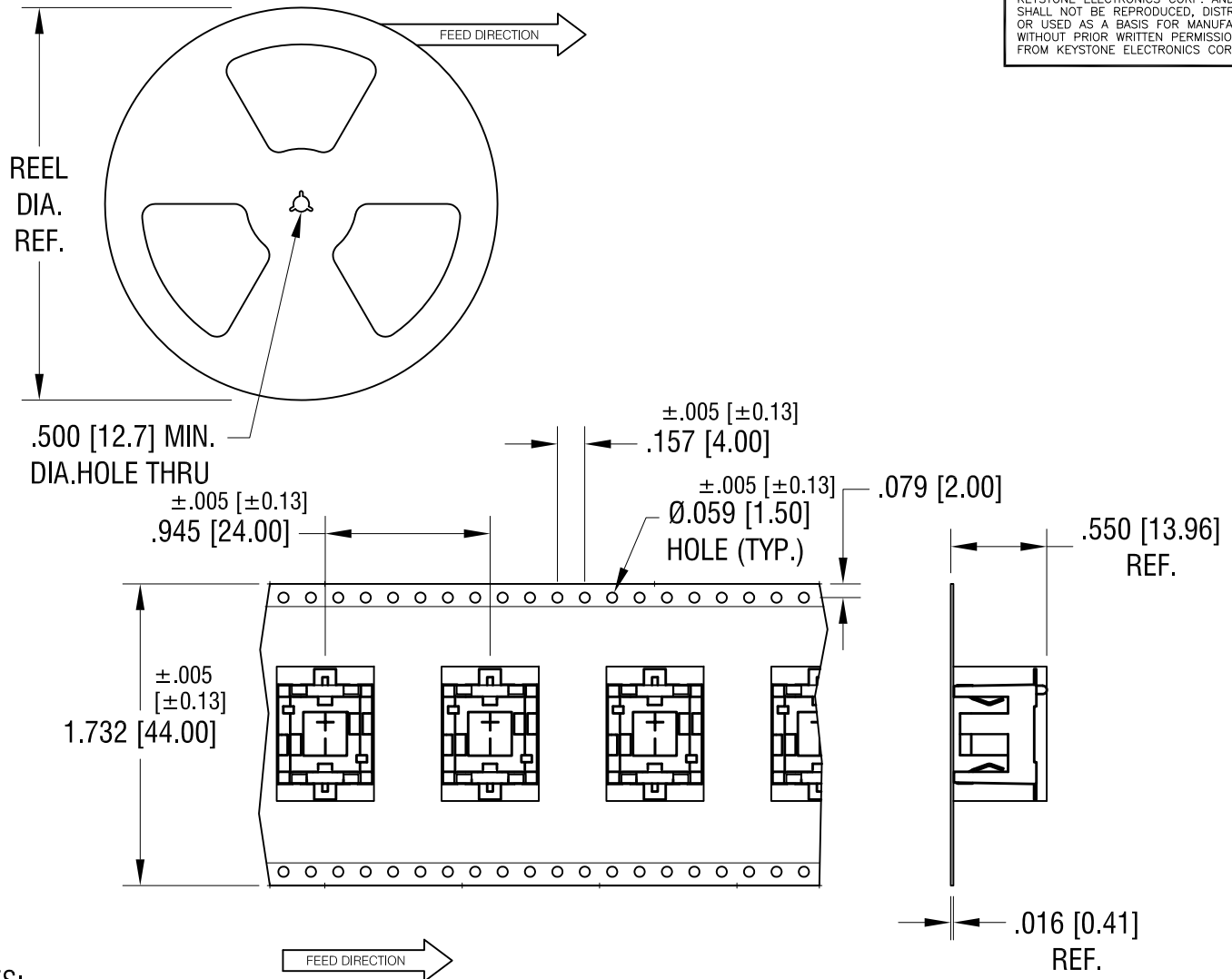


THIS DOCUMENT IS THE PROPERTY OF KEYSTONE ELECTRONICS CORP. AND SHALL NOT BE REPRODUCED, DISTRIBUTED OR USED AS A BASIS FOR MANUFACTURE WITHOUT PRIOR WRITTEN PERMISSION FROM KEYSTONE ELECTRONICS CORP.



**NOTES:**

**BATTERY HOLDER AND TAPE AND REEL SPECIFICATIONS:**

**1. BATTERY HOLDER:**

CONTACT: MAT'L- .012 [0.30] TH'K PHOSPHOR BRONZE  
 FINISH- GOLD FLASH PLATE  
 HOUSING: MAT'L- HEAT RESISTANCE NYLON (UL94V-0)

**2. TAPE:**

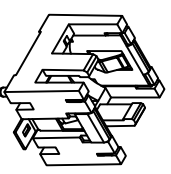
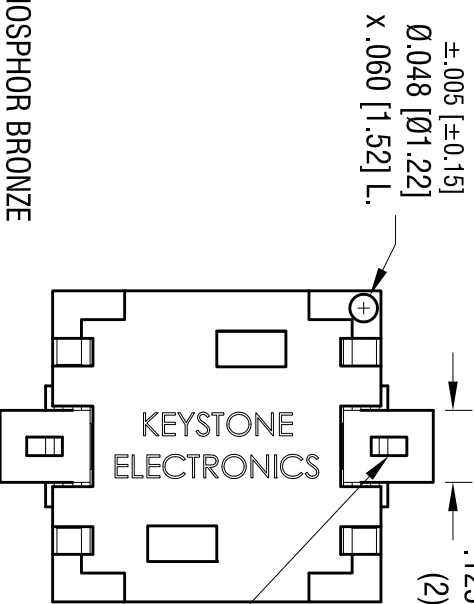
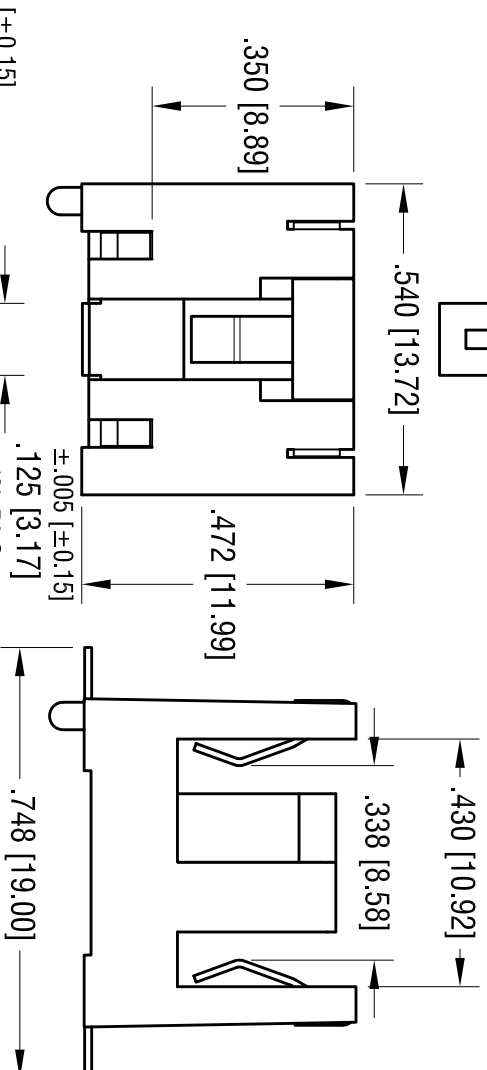
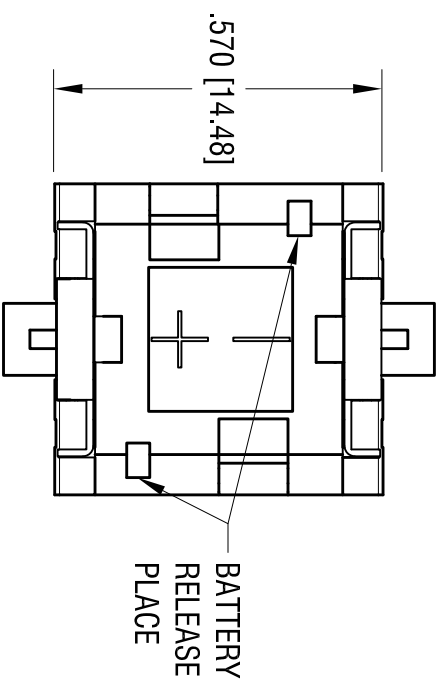
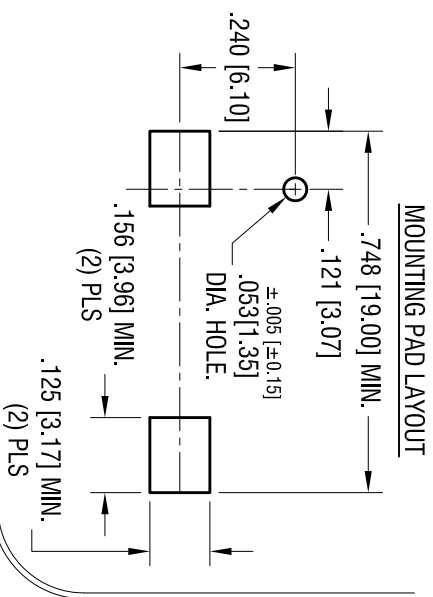
MAT'L - ALL CONDUCTIVE POLYSTYRENE CARRIER  
 ANSI/EIA-481 STANDARD  
 1.732 [44.00] WIDE; .945 [24.0] PITCH

**3. REEL:**

13.0 [330.2] DIA. 200 PIECES OF  
 PART NO. 498 PER REEL.

2.04.20	PITCH WAS .788 [20.00] CHANGE AS PER ECN 20-008	A
DATE	DESCRIPTION	REV.

<b>KEYSTONE ELECTRONICS CORP.</b>			
www.keyelco.com • NEW HYDE PARK, NY 11040 • Tel (516) 328-7500			
PART NAME			
1/3 N HORIZONTAL SMT HOLDER ON TAPE			
MATERIAL			
AS NOTED			
FINISH		DRN BY	DATE
AS NOTED		NT	5.04.10
		APP'D	SCALE
		RH	X
TOLERANCES		INCH	[MM]
DECIMAL		± .015	[± 0.38]
ANGULAR		± 1°	
UNLESS OTHERWISE SPECIFIED			
CODE	DWG NO.		
C	<b>498TR</b>		



DATE	DESCRIPTION	REV.
2.11.10	CHANGE AS PER ECN 10-011	A
7.25.14	CHANGE AS PER ECN 14-080	B
7.24.14	CHANGE AS PER ECN 14-080	C
7.08.15	CHANGE AS PER ECN 15-068	D

**KEYSTONE ELECTRONICS CORP.**  
 www.keye/co.com • NEW HYDE PARK, NY 11040 • Tel (516) 328-7500

PART NAME  
 1/3 N HORIZONTAL SMT HOLDER

MATERIAL  
 AS NOTED

FINISH  
 AS NOTED

TOLERANCES	INCH	[MM]	CODE	DRN BY	DATE
DECIMAL	± .010	[± .025]	C	NT	9.24.09
ANGULAR	± 1°			LN	SCALE 3X

THIS DOCUMENT IS THE PROPERTY OF  
 KEYSTONE ELECTRONICS CORP. AND  
 SHALL NOT BE REPRODUCED, DISTRIBUTED  
 OR USED AS A BASIS FOR MANUFACTURE  
 WITHOUT PRIOR WRITTEN PERMISSION  
 FROM KEYSTONE ELECTRONICS CORP.

ACTUAL SIZE

- NOTE:
1. CONTACT: MAT'L- .012 [0.30]THK PHOSPHOR BRONZE  
 FINISH- GOLD FLASH PLATE
  2. HOUSING: MAT'L- HEAT RESISTANCE NYLON (UL94V-0)

498