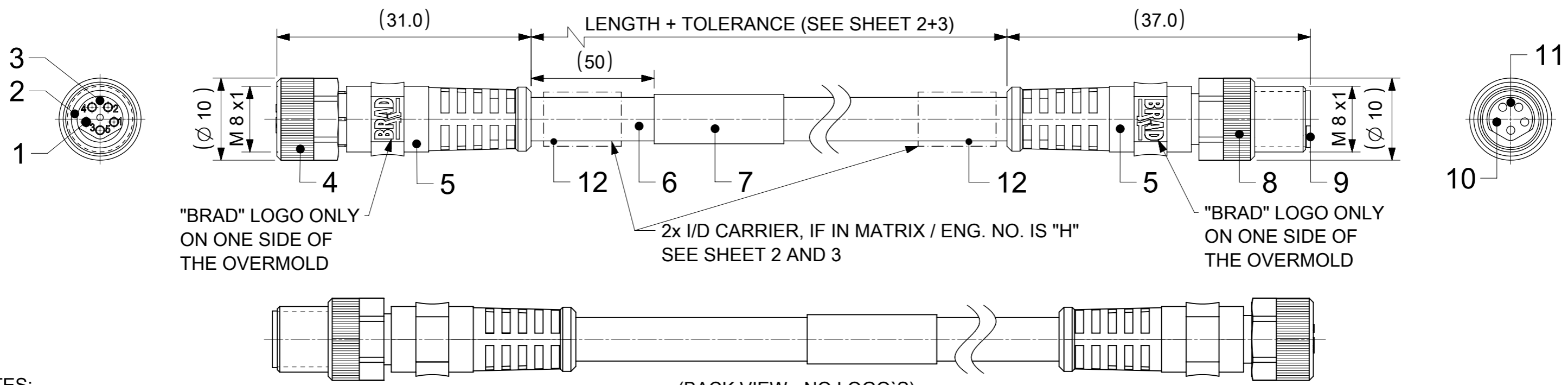


FEMALE PLUG M8 STRAIGHT TO MALE PLUG M8 STRAIGHT WSOR CABLES



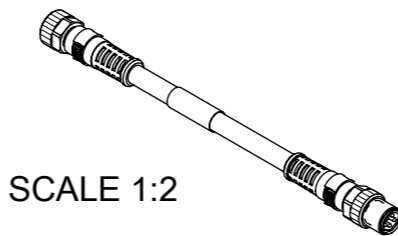
- NOTES:**
- PRODUCT SPECIFICATION:**
 RATED VOLTAGE: 3 contacts 60V AC/DC
 4 and 5 contacts 30V AC/DC
 CURRENT RATING: 3, 4, 5 contacts 3A
 PROTECTION CLASS: IP 67
 TEMPERATURE: -25°C / +80°C
 - PACKAGING:** THE CORDSETS ARE PACKED IN PLASTIC BAGS AND DELIVERED IN CARTON BOXES
 - SAFETY:** INSTALLATION, MOUNTING, AND MAINTENANCE OF THE PRODUCT MAY ONLY BE CARRIED OUT BY A QUALIFIED ELECTRICIAN

CONTACTS POSITION FRONT VIEW:

| | 3 CONTACTS | | 4 CONTACTS | | 5 CONTACTS | |
|--------------------|------------|-------|------------|-------|------------|-------|
| FEMALE | | | | | | |
| MALE | | | | | | |
| CONNECTIONS | PIN | WIRE | PIN | WIRE | PIN | WIRE |
| | 1 | BROWN | 1 | BROWN | 1 | BROWN |
| | 3 | BLUE | 2 | WHITE | 2 | WHITE |
| | 4 | BLACK | 3 | BLUE | 3 | BLUE |
| | | | 4 | BLACK | 4 | BLACK |
| | | | | | 5 | GREY |

FOR OPTIONS SEE - NUMERICAL CODE - ON SHEET 2

| ITEM | QTY. | DESCRIPTION | MATERIAL | FINISH |
|------|-----------|----------------------------|-------------|----------------------|
| 12 | 2 | I/D CARRIER | PVC | --- |
| 11 | 1 | INSERT MALE BLACK | TPU | --- |
| 10 | 3 / 4 / 5 | CONTACT M8 MALE | BRASS | SELECTIVE Au OVER Ni |
| 9 | 1 | SLEEVE | BRASS | NICKEL |
| 8 | 1 | COUPLING NUT M8 MALE SW9 | BRASS | NICKEL |
| 7 | 1 | LABEL YELLOW | VINYL | --- |
| 6 | - | CABLE | SEE SHEET 2 | --- |
| 5 | - | OVERMOLD BLACK | TPU | --- |
| 4 | 1 | COUPLING NUT M8 FEMALE SW9 | BRASS | NICKEL |
| 3 | 1 | INSERT FEMALE BLACK | TPU | --- |
| 2 | 1 | O-RING RED | FKM | --- |
| 1 | 3 / 4 / 5 | CONTACT M8 FEMALE | BRASS | SELECTIVE Au OVER Ni |



| | | | | | |
|--|--|--|--|--|--|
| SYMBOLS DIMENSION UNITS: mm SCALE: 2:1 GENERAL TOLERANCES (UNLESS SPECIFIED): ANGULAR TOL ± 1.0° 4 PLACES ± 3 PLACES ± 2 PLACES ± 0.05 1 PLACE ± 0.3 0 PLACES ± 0.5 DRAFT WHERE APPLICABLE MUST REMAIN WITHIN DIMENSIONS | | THIS DRAWING CONTAINS INFORMATION THAT IS PROPRIETARY TO MOLEX ELECTRONIC TECHNOLOGIES, LLC AND SHOULD NOT BE USED WITHOUT WRITTEN PERMISSION CURRENT REV DESC: NEW P/N'S ADDED EC NO: 687807 DRWN: RSCHIEBER 2021/12/01 CHK'D: RSILLER 2021/12/07 APPR: RSILLER 2021/12/07 INITIAL REVISION: DRWN: JMARSZALEK 2016/09/13 APPR: RSILLER 2018/12/10 | | CSE M8 M8 XP AC BC FE STR WSOR MA STR XM PRODUCT CUSTOMER DRAWING | |
| DOCUMENT STATUS: P1 RELEASE DATE: 2021/12/07 06:44:43 | | DOCUMENT NUMBER: 1200878716 DOC TYPE: PSD DOC PART: 000 REVISION: A5 | | MATERIAL NUMBER: SEE SHEET 3 CUSTOMER: GENERAL MARKET SHEET NUMBER: 1 OF 3 | |

CODING ACCORDING TO IEC 61076-2-104

| | | | |
|-----------------|----|--------------|---------------------|
| DOCUMENT STATUS | P1 | RELEASE DATE | 2021/12/07 06:44:43 |
|-----------------|----|--------------|---------------------|

ENGINEERING NO. - NUMERICAL CODE (Available parts see PART LIST table. Other parts available upon request).

OPTIONS

4 4 X 0 3 0 B X X X X X X X

44=Nano-Change
M8x1
Double ended

Poles:
3=3 Contacts
4=4 Contacts
5=5 Contacts

Heads style:
030=Plug Female Straight
to Plug Male Straight

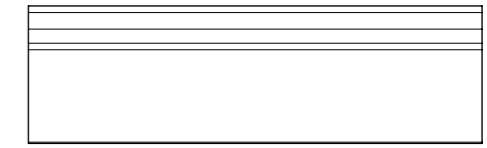
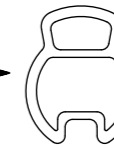
Cable type: See Table

Units:
M=Meter
C=Centimeter

Length
Examples:
005=0.5 unit
010=1 unit
100=10 unit

Overmold color:
Blank (Standard)=Black

H= 2 pcs. of
I/D Carrier PVC Transparent



CABLE INFORMATION (for more information see Cable Data Sheet)

| CABLE TYPE | NO. OF WIRES | CROSS SECTION | CABLE JACKET | UL | CSA | STATIC: TEMP. / BENDING RADIUS | DYNAMIC: TEMP. / BENDING RADIUS | DRAG CHAIN: TEMP. / BENDING RADIUS | DRAG CHAIN | CABLE PRODUCT SPECIFICATION | CABLE SPEC. DRAWING |
|------------|--------------|---------------------|--------------|--------------|-------------------------|--------------------------------|---------------------------------|------------------------------------|--|-----------------------------|---------------------|
| B41 | 3 / 4 / 5 | 0.25mm ² | TPU Black | UL 21215/758 | C22.2 I/II A/B 80°/600V | -40°C to +90°C 5xO.D. | -25°C to +80°C 7.5xO.D. | -5°C to +60°C 7.5xO.D. | up to 5 000 000 cycles at temp 20°C | 1552200001 | SD-120209-001 |
| B55 | 3 / 4 | 0.34mm ² | TPU Yellow | | | | | | | | n/a |

CABLE LENGTH TOLERANCES

| LENGTH | TOLERANCE |
|----------|------------|
| 0m-1m | +40 mm |
| >1m-5m | +60 mm |
| >5m-10m | +80 mm |
| >10m-20m | +140 mm |
| >20m-30m | +160 mm |
| >30m | +1% length |

| | | |
|---------|---|--|
| SYMBOLS | THIS DRAWING CONTAINS INFORMATION THAT IS PROPRIETARY TO MOLEX ELECTRONIC TECHNOLOGIES, LLC AND SHOULD NOT BE USED WITHOUT WRITTEN PERMISSION | |
| | DIMENSION UNITS | SCALE |
| ▽ = 0 | mm | 2:1 |
| ▽ = 0 | GENERAL TOLERANCES (UNLESS SPECIFIED) | |
| ▽ = 0 | ANGULAR TOL ± 1.0° | |
| ▽ = 0 | 4 PLACES ± | CURRENT REV DESC: NEW P/N'S ADDED |
| ▽ = 0 | 3 PLACES ± | |
| ▽ = 0 | 2 PLACES ± 0.05 | |
| ▽ = 0 | 1 PLACE ± 0.3 | EC NO: 687807 DRWN: RSCHIEBER 2021/12/01 CHK'D: RSILLER 2021/12/07 APPR: RSILLER 2021/12/07 |
| ▽ = 0 | 0 PLACES ± 0.5 | |
| ▽ = 0 | INITIAL REVISION: DRWN: JMARSZALEK 2016/09/13 APPR: RSILLER 2018/12/10 | |
| ■ = 0 | DRAFT WHERE APPLICABLE MUST REMAIN WITHIN DIMENSIONS | |
| ▽ = 0 | THIRD ANGLE PROJECTION | DRAWING |
| | | A3-SIZE |
| | SERIES | 120087 |
| | MATERIAL NUMBER | SEE SHEET 3 |
| | CUSTOMER | GENERAL MARKET |
| | DOCUMENT NUMBER | 1200878716 |
| | DOC TYPE | PSD |
| | DOC PART | 000 |
| | REVISION | A5 |
| | SHEET NUMBER | 2 OF 3 |

molex

CSE M8 M8 XP AC BC FE STR WSOR MA STR XM

PRODUCT CUSTOMER DRAWING

PART LIST

| No. | Molex PN. | Engineering No. | Cable Length |
|-----|------------|-----------------|--------------|
| 1 | 1200878703 | 443030B41M006 | 0.6m |
| 2 | 1200878704 | 443030B41M010 | 1m |
| 3 | 1200878705 | 443030B41M020 | 2m |
| 4 | 1200878706 | 443030B41M030 | 3m |
| 5 | 1200878707 | 443030B41M050 | 5m |
| 6 | 1200878708 | 443030B41M100 | 10m |
| 7 | 1200878709 | 444030B41M006 | 0.6m |
| 8 | 1200878710 | 444030B41M010 | 1m |
| 9 | 1200878711 | 444030B41M020 | 2m |
| 10 | 1200878712 | 444030B41M030 | 3m |
| 11 | 1200878713 | 444030B41M050 | 5m |
| 12 | 1200878714 | 444030B41M100 | 10m |
| 13 | 1200878715 | 445030B41M006 | 0.6m |
| 14 | 1200878716 | 445030B41M010 | 1m |
| 15 | 1200878717 | 445030B41M020 | 2m |
| 16 | 1200878718 | 445030B41M030 | 3m |
| 17 | 1200878719 | 445030B41M050 | 5m |
| 18 | 1200878720 | 445030B41M100 | 10m |
| 19 | 1200878854 | 443030B41M005H | 0.5m |
| 20 | 1200878855 | 443030B41M010H | 1m |
| 21 | 1200878856 | 443030B41M020H | 2m |
| 22 | 1200878857 | 443030B41M030H | 3m |
| 23 | 1200878858 | 443030B41M050H | 5m |
| 24 | 1200878859 | 443030B41M100H | 10m |
| 25 | 1200878860 | 443030B41M150H | 15m |
| 26 | 1200878905 | 444030B41M005H | 0.5m |
| 27 | 1200878907 | 443030B41M200H | 20m |
| 28 | 1200878908 | 443030B41M250H | 25m |
| 29 | 1200878920 | 444030B55M020 | 2m |
| 30 | 1200878921 | 444030B55M050 | 5m |
| 31 | 1200878975 | 443030B41M070 | 7m |
| 32 | 1200878976 | 443030B41M060 | 6m |
| 33 | 1200878977 | 443030B41M080 | 8m |
| 34 | 1200878972 | 444030B41M003 | 0.3m |
| 35 | 1200878973 | 443030B41M150 | 15m |

| No. | Molex PN. | Engineering No. | Cable Length |
|-----|------------|-----------------|--------------|
| 36 | 1200878956 | 443030B41M015 | 1.5m |
| 37 | 1200878974 | 443030B41M040 | 4m |
| 38 | 1200879039 | 443030B41M025 | 2.5m |
| 39 | 1200879040 | 444030B41M040 | 4m |
| 40 | 1200879041 | 444030B41M080 | 8m |
| 41 | | | |
| 42 | | | |
| 43 | | | |
| 44 | | | |
| 45 | | | |
| 46 | | | |
| 47 | | | |
| 48 | | | |
| 49 | | | |
| 50 | | | |
| 51 | | | |
| 52 | | | |
| 53 | | | |
| 54 | | | |
| 55 | | | |
| 56 | | | |
| 57 | | | |
| 58 | | | |
| 59 | | | |
| 60 | | | |
| 61 | | | |
| 62 | | | |
| 63 | | | |
| 64 | | | |
| 65 | | | |
| 66 | | | |
| 67 | | | |
| 68 | | | |
| 69 | | | |
| 70 | | | |

| No. | Molex PN. | Engineering No. | Cable Length |
|-----|-----------|-----------------|--------------|
| 71 | | | |
| 72 | | | |
| 73 | | | |
| 74 | | | |
| 75 | | | |
| 76 | | | |
| 77 | | | |
| 78 | | | |
| 79 | | | |
| 80 | | | |
| 81 | | | |
| 82 | | | |
| 83 | | | |
| 84 | | | |
| 85 | | | |
| 86 | | | |
| 87 | | | |
| 88 | | | |
| 89 | | | |
| 90 | | | |
| 91 | | | |
| 92 | | | |
| 93 | | | |
| 94 | | | |
| 95 | | | |
| 96 | | | |
| 97 | | | |
| 98 | | | |
| 99 | | | |
| 100 | | | |
| 101 | | | |
| 102 | | | |
| 103 | | | |
| 104 | | | |
| 105 | | | |

| No. | Molex PN. | Engineering No. | Cable Length |
|-----|-----------|-----------------|--------------|
| 106 | | | |
| 107 | | | |
| 108 | | | |
| 109 | | | |
| 110 | | | |
| 111 | | | |
| 112 | | | |
| 113 | | | |
| 114 | | | |
| 115 | | | |
| 116 | | | |
| 117 | | | |
| 118 | | | |
| 119 | | | |
| 120 | | | |
| 121 | | | |
| 122 | | | |
| 123 | | | |
| 124 | | | |
| 125 | | | |
| 126 | | | |
| 127 | | | |
| 128 | | | |
| 129 | | | |
| 130 | | | |
| 131 | | | |
| 132 | | | |
| 133 | | | |
| 134 | | | |
| 135 | | | |
| 136 | | | |
| 137 | | | |
| 138 | | | |
| 139 | | | |
| 140 | | | |

| | | |
|------------------------|---|---------------------------------------|
| SYMBOLS | THIS DRAWING CONTAINS INFORMATION THAT IS PROPRIETARY TO MOLEX ELECTRONIC TECHNOLOGIES, LLC AND SHOULD NOT BE USED WITHOUT WRITTEN PERMISSION | |
| | DIMENSION UNITS | SCALE |
| | $\nabla = 0$ | mm 1:1 |
| | $\nabla = 0$ | GENERAL TOLERANCES (UNLESS SPECIFIED) |
| $\nabla = 0$ | ANGULAR TOL $\pm 1.0^\circ$ | CURRENT REV DESC: NEW P/N'S ADDED |
| $\nabla = 0$ | 4 PLACES \pm | |
| $\nabla = 0$ | 3 PLACES \pm | EC NO: 687807 |
| $\nabla = 0$ | 2 PLACES ± 0.05 | DRWN: RSCHIEBER 2021/12/01 |
| $\nabla = 0$ | 1 PLACE ± 0.3 | CHK'D: RSILLER 2021/12/07 |
| $\nabla = 0$ | 0 PLACES ± 0.5 | APPR: RSILLER 2021/12/07 |
| $\square = 0$ | DRAFT WHERE APPLICABLE MUST REMAIN WITHIN DIMENSIONS | INITIAL REVISION: |
| $\square = 0$ | | DRWN: JMARSZALEK 2016/09/13 |
| $\square = 0$ | | APPR: RSILLER 2018/12/10 |
| THIRD ANGLE PROJECTION | | DRAWING |
| | | SERIES |
| | | MATERIAL NUMBER |
| | | CUSTOMER |
| | | SHEET NUMBER |

| | | | |
|--|----------------|----------|----------|
| molex | | | |
| CSE M8 M8 XP AC BC FE STR WSOR MA STR XM | | | |
| PRODUCT CUSTOMER DRAWING | | | |
| DOCUMENT NUMBER | DOC TYPE | DOC PART | REVISION |
| 1200878716 | PSD | 000 | A5 |
| SEE SHEET 3 | GENERAL MARKET | 3 OF 3 | |