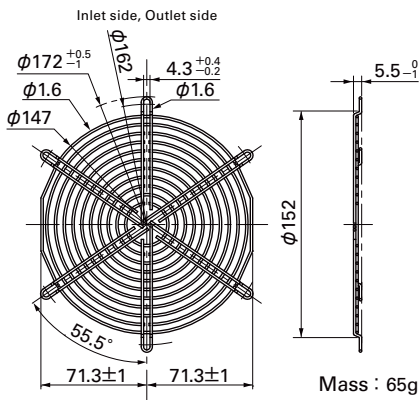


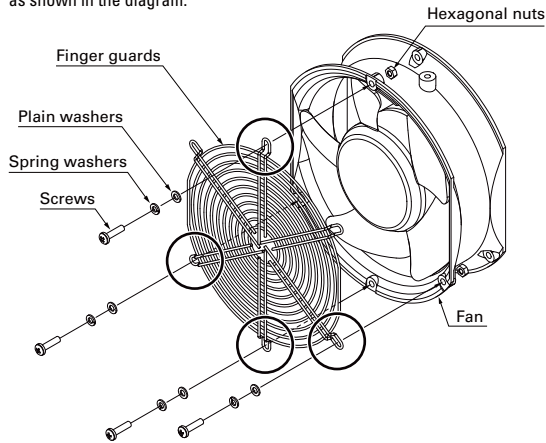
Dimensions (unit : mm)

φ172mm SideCut type

Model : 109-319J Surface treatment : Nickel-chrome plating (silver) Color (silver)
 Applicable Model: 9SG57**P5**9GV57**H501
 9CR5748PG001/9WG5748P5*001

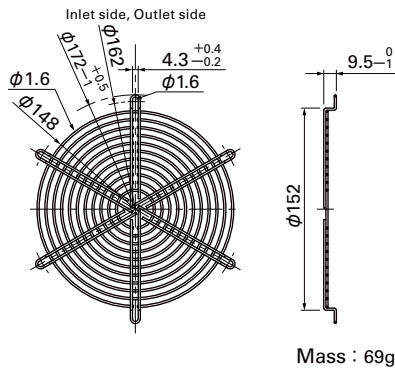


For the finger guard Model: 109-319J, fix the finger guard to four holes as shown in the diagram.



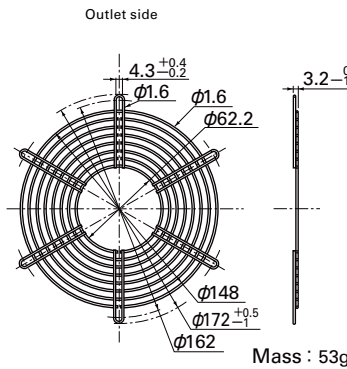
φ172mm SideCut, Round type

Model : 109-319E Surface treatment : Nickel-chrome plating (silver) Color (silver)
 : 109-319H : Cation electropainting (black)

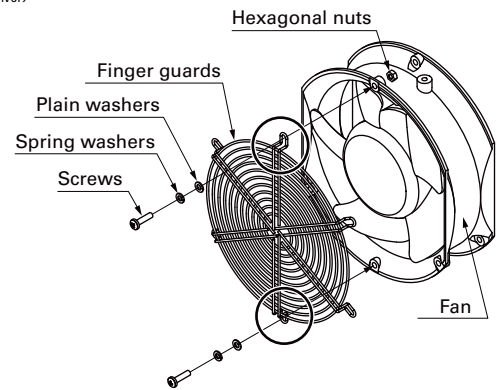


φ172mm SideCut, Round type

Model : 109-320 Surface treatment : Nickel-chrome plating (silver) Color (silver)

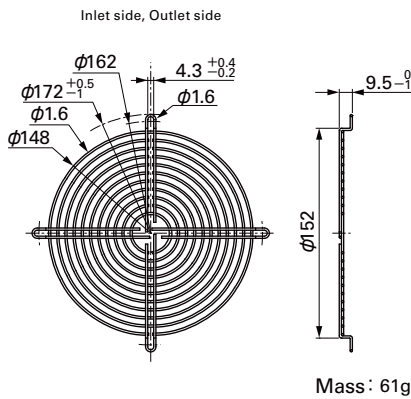


For the finger guard Model: 109-319E, 109-319H, 109-320, fix the finger guard to two holes as shown in the diagram. Do not fix it to any other holes.



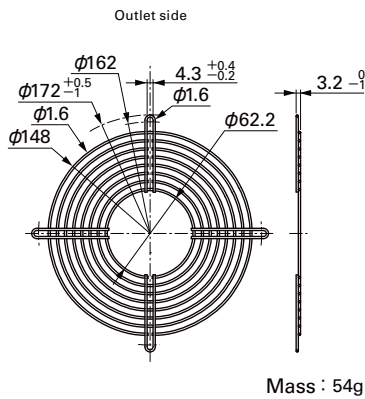
φ172mm Round type

Model : 109-1066 Surface treatment : Nickel-chrome plating (silver) Color (silver)



φ172mm Round type

Model : 109-1068 Surface treatment : Nickel-chrome plating (silver) Color (silver)



Mounting example

Axial fan

