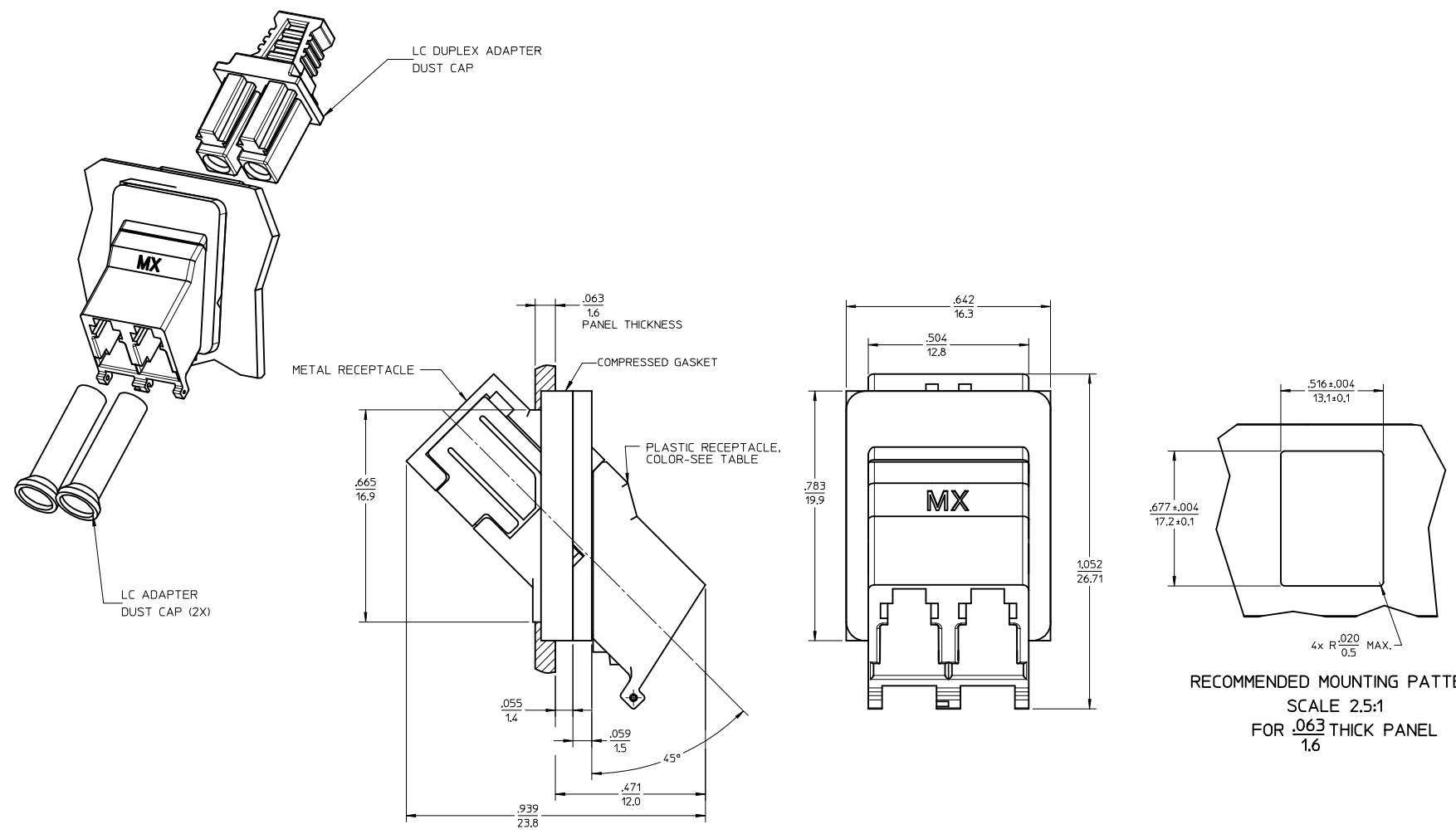


| ADAPTER P/N | PLASTIC RECEPTACLE COLOR | SPLIT SLEEVE MATERIAL |
|-------------|--------------------------|-----------------------|
| 106115-4150 | BLUE | Zr |
| 106115-4151 | GREEN | Zr |



RECOMMENDED MOUNTING PATTERN
SCALE 2.5:1
FOR .063 THICK PANEL
1.6

- NOTES:
- DIMENSIONS SHOWN ARE FOR REFERENCE ONLY.
 - CONDUCTIVE FABRIC OVER FOAM GASKET (SHOWN COMPRESSED) IS SUPPLIED WITH THE PART.
 - PACKAGING: 25 ADAPTERS PER TRAY AND 4 TRAYS PER BOX.

| | | | | | | |
|------------------------------------------------------------------------------------------------------------------|-----------------|---------------------------------------|-------------------------|-------------------------------------------------------------------------------------------------------------------------------|--------------|------------------------|
| ENTER DESCRIPTION EC NO: MF2015-0214 DRWN: MAGHAYERE 2014/10/13 CHKD: APPR: GUMIN 2014/11/11 REV: | QUALITY SYMBOLS | GENERAL TOLERANCES (UNLESS SPECIFIED) | DIMENSION STYLE | SCALE | DESIGN UNITS | THIRD ANGLE PROJECTION |
| | ▽=0 | mm INCH | IN/MM | 4:1 | INCH | |
| | ▽=0 | 4 PLACES ± --- ± --- | DRAWN BY DATE | TITLE | | |
| | ▽=0 | 3 PLACES ± --- ± --- | L. SADAUSKAS 2006/12/18 | LC-D EMI ADAPTER, 45 DEGREE (SNAP MOUNT) WITHOUT SHUTTER DOORS | | |
| | | 2 PLACES ± --- ± --- | CHECKED BY DATE | molex DOCUMENT NO. SD-106115-4150 SHEET NO. 1 OF 1 | | |
| | | 1 PLACE ± --- ± --- | APPROVED BY DATE | | | |
| | | 0 PLACE ± --- ± --- | I. GUMIN 2006/12/27 | MATERIAL NO. SEE TABLE | | |
| | | | ANGULAR ±1/2° | DRAFT WHERE APPLICABLE MUST REMAIN WITHIN DIMENSIONS | | |
| | | | SIZE C | THIS DRAWING CONTAINS INFORMATION THAT IS PROPRIETARY TO MOLEX INCORPORATED AND SHOULD NOT BE USED WITHOUT WRITTEN PERMISSION | | |