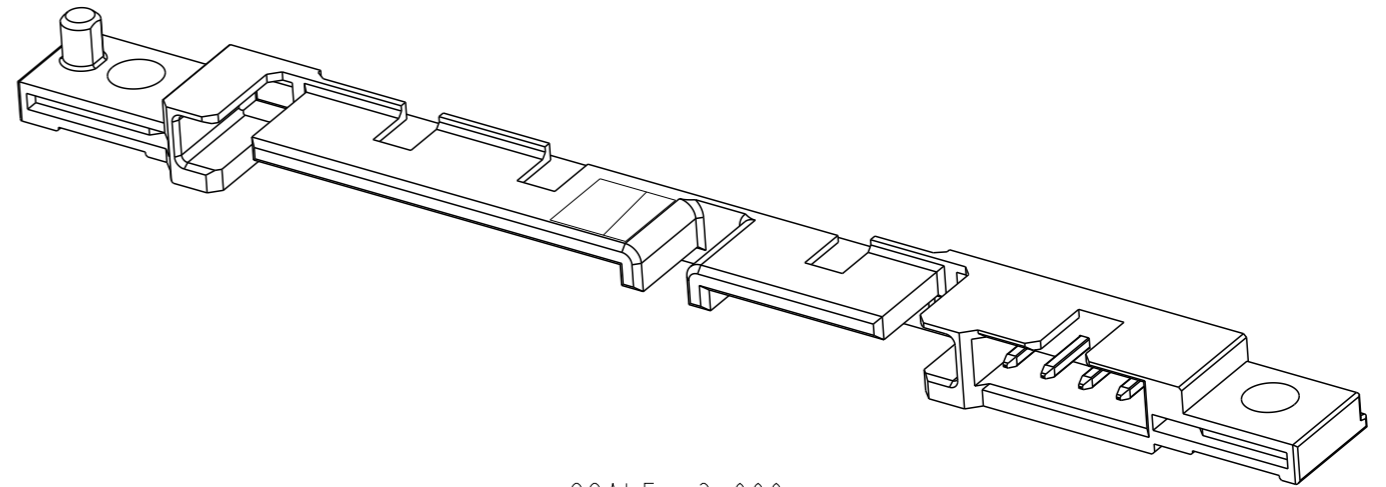
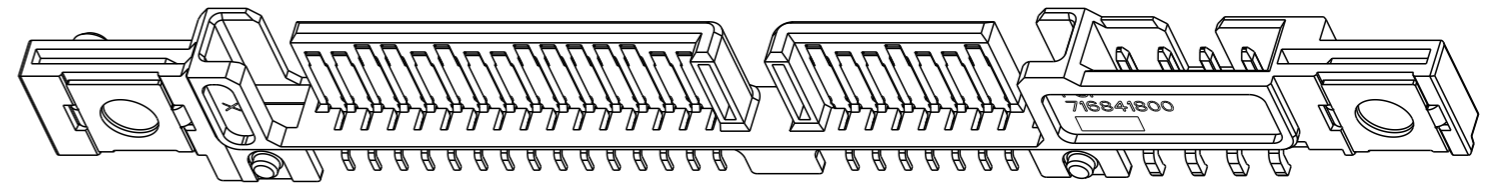


PRODUCT NO.	CUSTOMER P/N.	PACKAGING
10129130-002LF	716841800	TRAY



SCALE 3.000

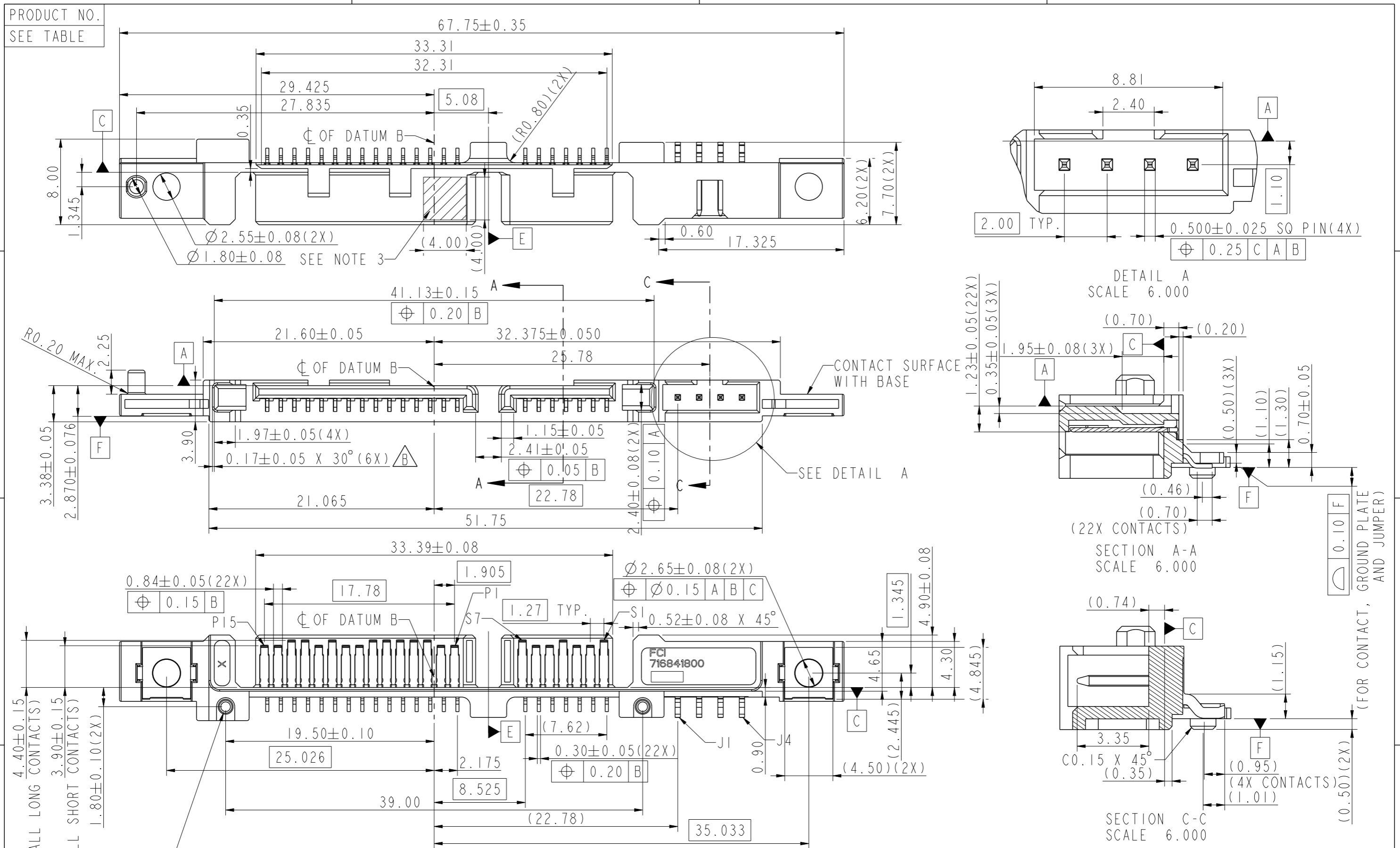


SCALE 3.000

NOTES:

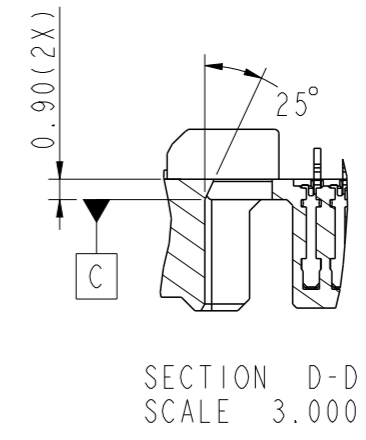
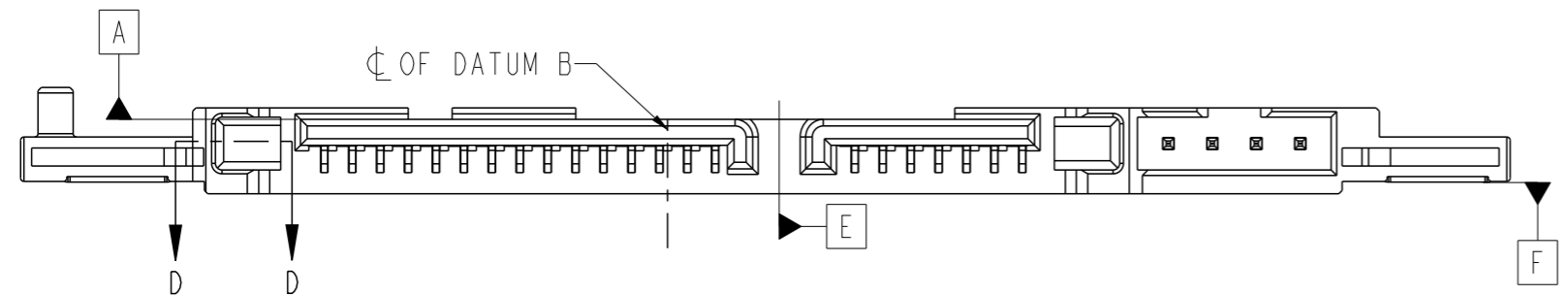
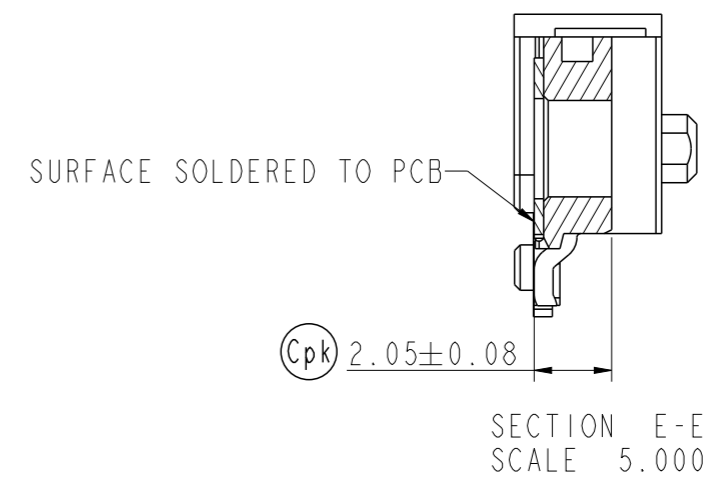
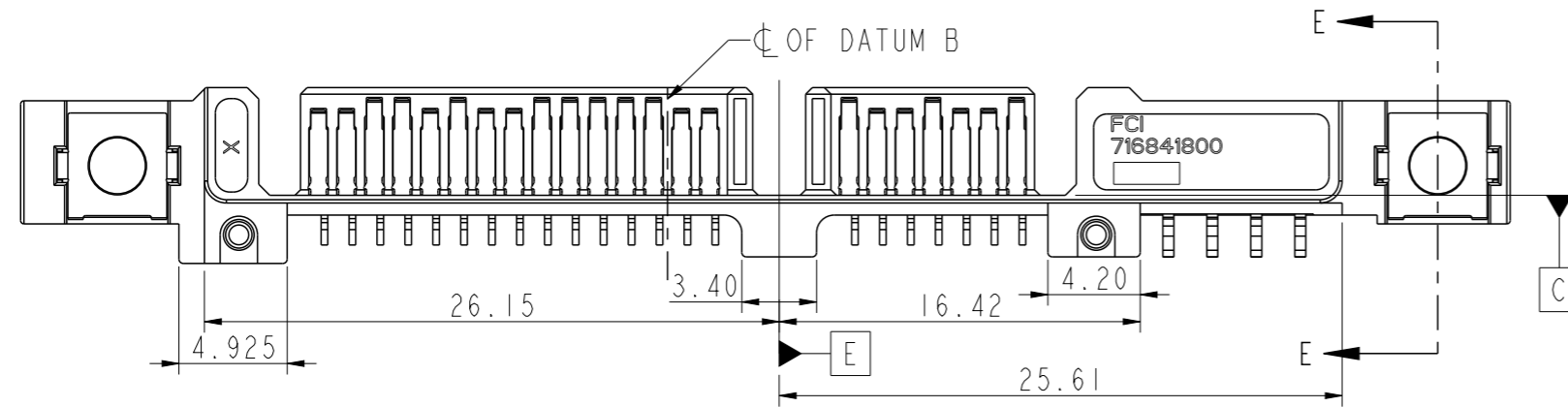
- HOUSING: HIGH TEMPERATURE THERMOPLASTIC, BLACK, UL94V-0,  
B MAX. REGRIND IS NOT TO EXCEED 25%  
 CONTACT, JUMPER & GROUND PLATE: COPPER ALLOY
- FINISH:  
 CONTACT: 1.27~2.54um Ni UNDERPLATE OVERALL, 0.38um MIN. Au ON CONTACT AREA,  
 1.91um MIN. 100% MATTE Sn(LEAD-FREE) ON SOLDER TAILS  
 JUMPER: 1.27~2.54um Ni UNDERPLATE OVERALL, 0.38um MIN. Au ON CONTACT AREA,  
 1.91um MIN. 100% MATTE Sn(LEAD-FREE) ON SOLDER TAILS  
 GROUND PLATE: 1.91um MIN. 100% MATTE Sn(LEAD-FREE) OVER  
 1.27~2.54um Ni UNDERPLATE OVERALL
- FLAT AREA FREE FROM BURR AND FLASHES FOR VACUUM PICK-UP
- PRODUCT SPECIFICATION: GS-12-194
- PACKAGING SPECIFICATION: GS-14-952
- THIS PRODUCT MEETS EUROPEAN UNION DIRECTIVES AND OTHER COUNTRY REGULATIONS AS DESCRIBED IN GS-47-0004
- THE HOUSING WILL WITHSTAND EXPOSURE TO 260°C PEAK TEMPERATURE FOR 10 SECONDS IN A CONVECTION, INFRA-RED OR VAPOR PHASE REFLOW OVEN
- B A SYMBOL B WILL BE NEXT TO ANY DIMENSION, VIEW OR NOTE WHICH HAS BEEN MODIFIED WITH THE CURRENT DRAWING REVISION

spec ref		dr	Jeffrey Lim	2015/02/03	projection	MM	size	A3	scale	1.000		
tolerance std		TOLERANCES UNLESS OTHERWISE SPECIFIED					ecn no		ELX-M-24388-1			
		eng	Jeffrey Lim	2016/08/03			product family		rel level		Released	
surface	<input checked="" type="checkbox"/> linear	0.X	±0.45		<b>Amphenol FCI</b> 2.5" LOW PROFILE SATA PLUG Z-HT. 2.87	dwg no 10129130	rev		B			
		0.XX	±0.15				cat. no.		-		Product - Customer Drw	
		0.XXX	±0.050				sheet 1 of 4					
	angular	0°	±3°									



spec ref	dr	Jeffrey Lim	2015/02/03	projection	MM	size	A3	scale	3.000
tolerance std	eng	Jeffrey Lim	2016/08/03			ecn no	ELX-M-24388-1	rel level	Released
TOLERANCES UNLESS OTHERWISE SPECIFIED									
surface	linear	0.X	±0.45	<b>Amphenol FCi</b>	title 2.5" LOW PROFILE SATA PLUG Z-HT. 2.87	dwg no 10129130	rev B	Product - Customer Drw	
		0.XX	±0.15					sheet 2 of 4	
		0.XXX	±0.050						
	angular	0°	±3°	cat. no.	-	PDS: Rev :B		STATUS:Released	

PRODUCT NO.  
SEE TABLE

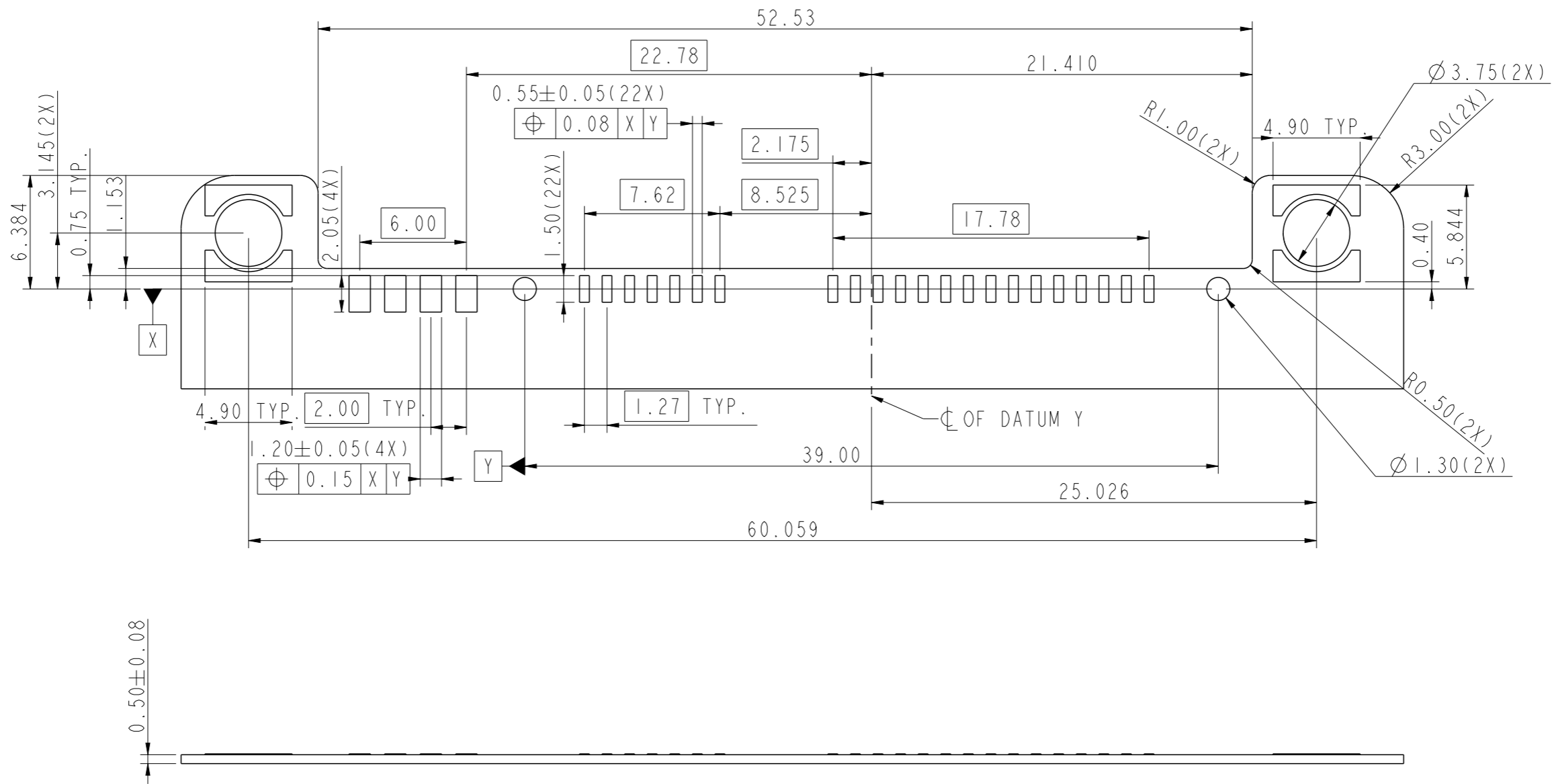


Amphenol  
FCi

© 2016 AFCI

spec ref	dr	Jeffrey Lim	2015/02/03	projection	MM	size	A3	scale	1.000
tolerance std	eng	Jeffrey Lim	2016/08/03			ecn no	ELX-M-24388-1		
TOLERANCES UNLESS OTHERWISE SPECIFIED						product family	-	rel level	Released
surface	linear	0.X	±0.45	<b>Amphenol FCI</b>		2.5" LOW PROFILE SATA PLUG Z-HT. 2.87		dwg no 10129130	rev B
		0.XX	±0.15						
		0.XXX	±0.050						
	angular	0°	±3°	cat. no.	-	Product - Customer Drw		sheet 3 of 4	

PRODUCT NO.  
10129130-002LF



SCALE 3.500

RECOMMENDED PCB LAYOUT  
(GENERAL TOLERANCE: ±0.05)

spec ref		dr	Jeffrey Lim	2015/02/03	projection	MM	size	A3	scale	3.500
tolerance std		eng	Jeffrey Lim	2016/08/03			ecn no		ELX-M-24388-1	
TOLERANCES UNLESS OTHERWISE SPECIFIED		chr	-	-			rel level		Released	
surface	linear	0.X	±0.45	<b>Amphenol FCI</b> 2.5" LOW PROFILE SATA PLUG Z-HT. 2.87	product family		-		cat. no. - Product - Customer Drw sheet 4 of 4	
		0.XX	±0.15		-					
	0.XXX	±0.050	-							
	angular	0°	±3°		-		-			
		Amphenol FCI		2.5" LOW PROFILE SATA PLUG		10129130		rev		B