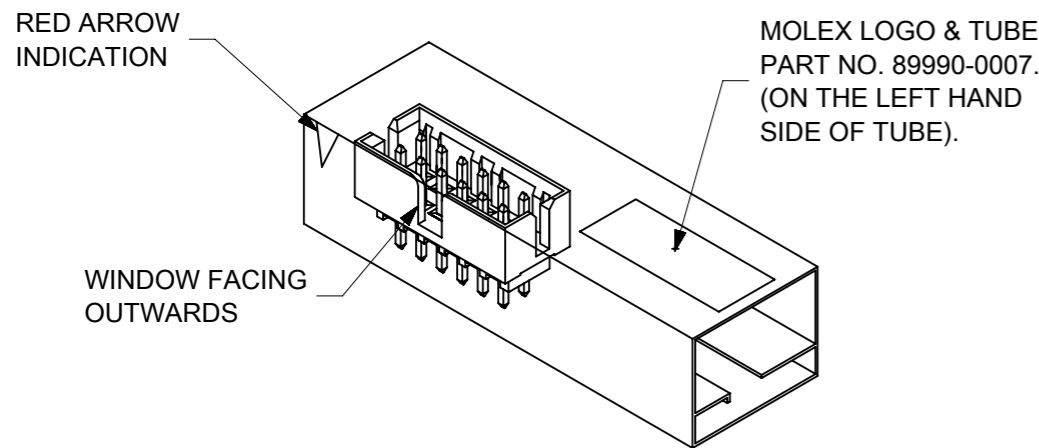


RECOMMENDED PCB PATTERN



REF : ORIENTATION OF PART IN TUBE.  
(FOR THE REFERENCE OF PART/TUBE ASSEMBLY.)

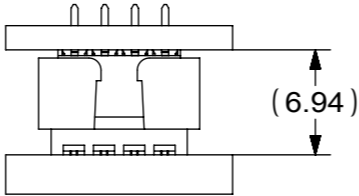
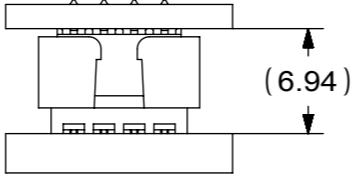
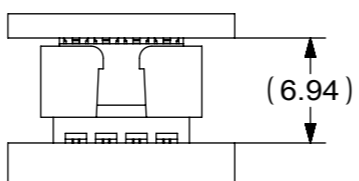
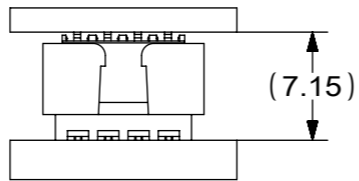
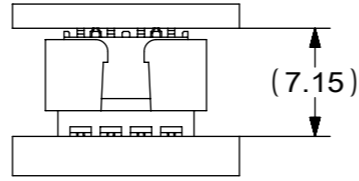
- NOTES :
- MATERIALS:  
HOUSING : 30%GF, NYLON 46, UL94V-0, COLOR BLACK  
PIN : 0.50mm SQ. PHOSPHOR BRONZE.
  - PRODUCT SPECIFICATION PS-87831-027 APPLIES.
  - PIN PUSHOUT FORCE : 0.91 kg MIN. IN EITHER DIRECTION.
  - PLATING OPTION:  
87831-7000 - 0.38µm/15µin GOLD IN CONTACT AREA AND 1.88µm/75µin MIN. TIN IN SOLDER TAIL AREA OVER 1.27µm/50µin MIN. NICKEL OVERALL.  
87831-7100 - GOLD FLASH IN CONTACT AREA AND 1.88µm/75µin MIN. TIN IN SOLDER TAIL AREA OVER 1.27µm/50µin MIN. NICKEL OVERALL
  - THIS HEADER MATES WITH MOLEX :  
a) CRIMP RECEPTACLE HOUSING, 51110 SERIES WITH CRIMP TERMINAL, 50394 SERIES.  
b) 2mm MILLIGRID DUAL ROW IDT, 87568 SERIES.
  - PARTS TO BE PACKED IN TUBE WITH MOISTURE BARRIER BAG.

ASSEMBLY PART NO.	CKT	VOID CKT
87831-7000	34	21
87831-7100	34	21

THIS DRAWING CONTAINS INFORMATION THAT IS PROPRIETARY TO MOLEX ELECTRONIC TECHNOLOGIES, LLC AND SHOULD NOT BE USED WITHOUT WRITTEN PERMISSION		CURRENT REV DESC: ADDED BTB DIST.		<b>molex</b>	
DIMENSION UNITS: MM NTS		SCALE: MM INCH			
GENERAL TOLERANCES (UNLESS SPECIFIED)		EC NO: 619055		PRODUCT CUSTOMER DRAWING	
4 PLACES ±		DRWN: HK02 2019/05/21		DOCUMENT NUMBER	
3 PLACES ±		CHK'D: NMANE02 2019/07/09		DOC TYPE DOC PART REVISION	
2 PLACES ± 0.2 ±		APPR: MRAMAKRISHNA 2019/07/09		SD-87831-015 PSD 001 A5	
1 PLACE ±		INITIAL REVISION:		MATERIAL NUMBER	
0 PLACES ±		DRWN: ATSEE 2003/10/06		CUSTOMER	
ANGULAR TOL ± 3.0°		APPR: SKTOH 2003/11/07		GENERAL MARKET	
DRAFT WHERE APPLICABLE MUST REMAIN WITHIN DIMENSIONS		THIRD ANGLE PROJECTION		SHEET NUMBER	
		DRAWING: A3-SIZE		1 OF 2	
		SERIES: 87831			

REV A4 ORIGINALLY RELEASED BY ECM 170249

# BOARD TO BOARD (BTB) DISTANCE

HEADER	MATES WITH (RECEPTACLE)	BTB DIST.	PICTORIAL VIEW
87831	79107	6.94	
	78787	6.94	
	79108	6.94	
	79109	7.15	
	78788	7.15	

THIS DRAWING CONTAINS INFORMATION THAT IS PROPRIETARY TO MOLEX ELECTRONIC TECHNOLOGIES, LLC AND SHOULD NOT BE USED WITHOUT WRITTEN PERMISSION

DIMENSION UNITS		SCALE		CURRENT REV DESC: ADDED BTB DIST.		<b>molex</b>		
mm		NTS						
GENERAL TOLERANCES (UNLESS SPECIFIED)				EC NO: 619055		MGRID, SHROUDED HEADER VERTICAL, WITH VOID		
		MM	INCH	DRWN: HK02 2019/05/21				
4 PLACES		±	±	CHK'D: NMANE02 2019/07/09		PRODUCT CUSTOMER DRAWING		
3 PLACES		±	±	APPR: MRAMAKRISHNA 2019/07/09				
2 PLACES		± 0.2	±	INITIAL REVISION:		DOCUMENT NUMBER <b>SD-87831-015</b>		
1 PLACE		±	±	DRWN: DRWN BY XXXX/XX/XX				
0 PLACES		±	±	APPR: APPR BY XXXX/XX/XX		PSD	001	A5
ANGULAR TOL		± 3.0°		DRAFT WHERE APPLICABLE MUST REMAIN WITHIN DIMENSIONS		THIRD ANGLE PROJECTION	DRAWING	SERIES
							A3-SIZE	87831
MATERIAL NUMBER		CUSTOMER		SHEET NUMBER				
		GENERAL MARKET		2 OF 2				