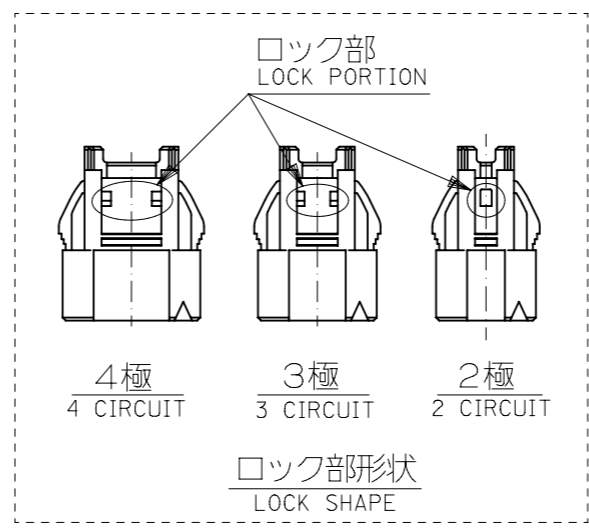


ターミナル装着状態図
TERMINAL ASSEMBLY DRAWING



注記
NOTES.

- △ 適合端子 : 50837-8*00
APPLICABLE TERMINAL
- 本図は、5極を示す。
5 CIRCUIT VERSION IS SHOWN
IN THIS DRAWING.
- ハウジングは、パネル打ち抜き側から
挿入すること。
INSERT HOUSING FROM PUNCH
SIDE OF PANEL

参考パネルスロット寸法
PANEL SLOT DIM.(REF.)
(パネル厚 : 0.8 ~ 2.0)
(THICKNESS : 0.8 ~ 2.0)

44.6	46.7	45.7	39.9	51198-1500	15
42.1	44.2	43.2	37.4	-1400	14
39.6	41.7	40.7	34.9	-1300	13
37.1	39.2	38.2	32.4	-1200	12
34.6	36.7	35.7	29.9	-1100	11
32.1	34.2	33.2	27.4	-1000	10
29.6	31.7	30.7	24.9	-0900	9
27.1	29.2	28.2	22.4	-0800	8
24.6	26.7	25.7	19.9	-0700	7
22.1	24.2	23.2	17.4	-0600	6
19.6	21.7	20.7	14.9	-0500	5
17.1	19.2	18.2	12.4	-0400	4
14.6	16.7	15.7	9.9	-0300	3
12.1	14.2	13.2	7.4	51198-0200	2
D	C	B	A	製品番号 MATERIAL NO.	NO. OF CIRCUIT

MATERIAL
ポリエステル (PBT) POLYESTER
色 : 白 COLOR : WHITE
UL94V-0

THIS DRAWING CONTAINS INFORMATION THAT IS PROPRIETARY TO MOLEX ELECTRONIC TECHNOLOGIES, LLC AND SHOULD NOT BE USED WITHOUT WRITTEN PERMISSION

DIMENSION UNITS mm	SCALE 4:1	CURRENT REV DESC:		molex		
GENERAL TOLERANCES (UNLESS SPECIFIED)		EC NO: 698824				
ANGULAR TOL ± 3.0°	4 PLACES ±	DRWN: RWATANABE01	2022/02/03	PRODUCT CUSTOMER DRAWING		
3 PLACES ±	2 PLACES ±	CHK'D: AIDA	2022/03/16	DOCUMENT NUMBER		
1 PLACE ± 0.2	0 PLACES ± 0.2	APPR: SAKIYAMA	2022/03/17	SD-51198-002		
DRAFT WHERE APPLICABLE MUST REMAIN WITHIN DIMENSIONS		INITIAL REVISION:	2018/10/15	DOC TYPE DOC PART REVISION		
THIRD ANGLE PROJECTION		DRWN: RFC_PLMIMP	2016/02/22	PSD 001 D		
DRAWING		APPR: TKANEKO		MATERIAL NUMBER		
A3-SIZE		SERIES	51198	CUSTOMER		
SERIES		MATERIAL NUMBER	SEE CHART	GENERAL MARKET		
SHEET NUMBER		1 OF 1				