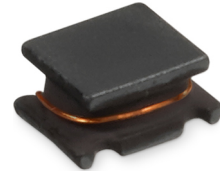
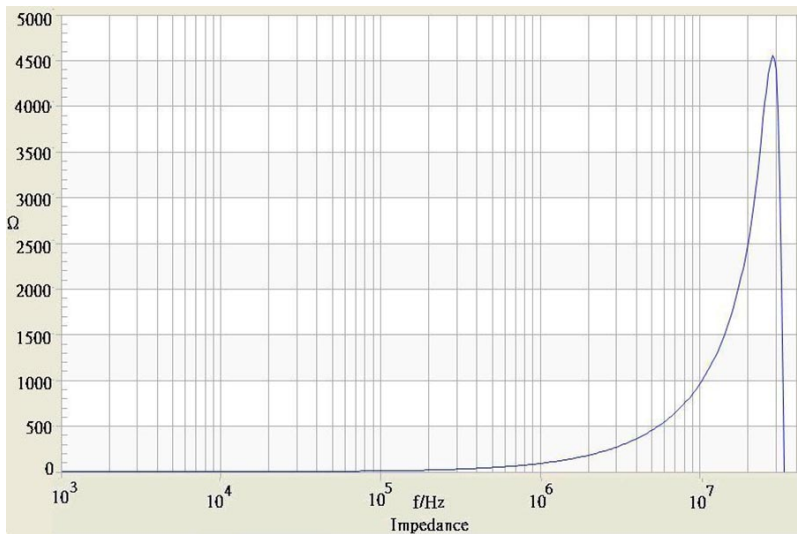


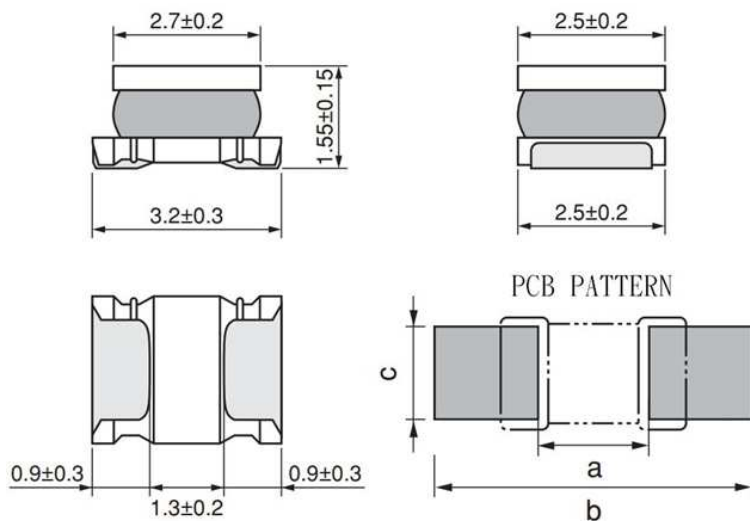
<b>Order Code</b>	<b>TCK-121</b>
<b>Inductance</b>	15 $\mu$ H $\pm$ 20% (at 100 kHz / 1 V)
<b>Impedance (DCR)</b>	570 m $\Omega$ max.
<b>Rated Current</b>	0.7 A max.
<b>Operating Temperature</b>	-40°C to +125°C



### Impedance Curve



### Outline Dimensions



#### Dimensions [mm]

Parameter	Value [mm]
<b>a</b>	1.9
<b>b</b>	3.6
<b>c</b>	2.7