



MMC5983-B Prototyping Board

MMC5983 -B

GENERAL DESCRIPTION

The MMC5983-B provides a convenient and easy way to evaluate and prototype with MMC5983 the three axes magnetic sensor. The magnetic sensor and passive components needed for operations are SMT mounted on the board. Communication, power and ground pins of the MMC5983 SMT device are brought out to standard 0.10 inch on center connections on the sides of the prototyping board. Wires can either be soldered directly to the prototyping board or DIP pins can be used with widely available breadboard kits.

For complete performance specifications of MMC5983 refer to MMC5983 datasheet.

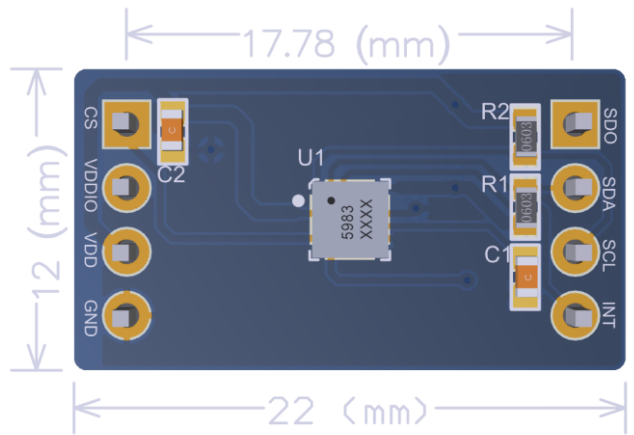
PIN DESCRIPTION

Pin	Name	Description
P1-1	SPI_CS	SPI CS
P1-2	NC	NOT CONNECTED
P1-3	VDD	Power
P1-4	GND	Ground
P2-1	SPI_SDO	SPI SDO
P2-2	SDA/SPI_SDI	I2C SDA / SPI SDI
P2-3	SCL/SPI_SCK	I2C SCL / SPI SCK
P2-4	INT	Interrupt Output



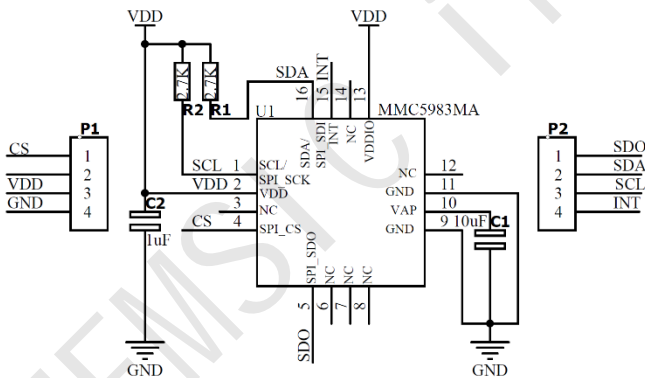
MMC5983-B

PCB OUTLINE AND CONNECTION DIMENSIONS



MMC5983-B

SCHEMATIC OF THE MMC5983-B



MMC5983-B

Information furnished by MEMSIC is believed to be accurate and reliable. However, no responsibility is assumed by MEMSIC for its use, nor for any infringements of patents or other rights of third parties, which may result from its use. No license is granted by implication or otherwise under any patent or patent rights of MEMSIC.

MEMSIC Semiconductor (Wuxi) Co., Ltd.

No.2 Xinhuihuan Road, Xinwu District, Wuxi, Jiangsu, China
 Tel: +86-510-66616668 Fax: +86-510-66616669
 www.memsic.com