

PART NUMBER

KAD177445

REV.

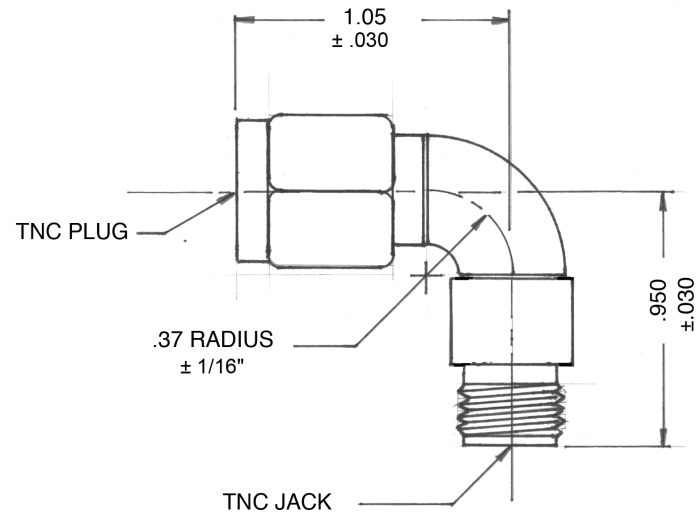
DATE

COMMENTS

INITIAL

Electrical Data

Impedance 50 Ω
 Frequency Range DC - 18 GHz.
 VSWR 1.25 Max

RoHS Compliant

Drawing not to scale. Dimensions for reference only

Units: inches

Konnect RF

WWW.KONNECTRF.COM
 1-800-790-5887

PART NUMBER

KAD177445

DESCRIPTION

**Precision Adapter, In-Series, TNC Radius
 Right Angle Male Plug to Female Jack, Hex**

CAGE CODE

664U0

SIGNATURE

X

THIS DRAWING INCLUDING THE
 DESIGNS IS THE PROPERTY OF
 KONNECT RF AND IS NOT TO
 BE USED FOR ANY PURPOSE
 WITHOUT OUR APPROVAL.

Component
 Body & Nut
 Center Contact
 Insulator

Material
 Stainless Steel
 BeCu
 PTFE

Plating/Finish
 Passivated
 Gold