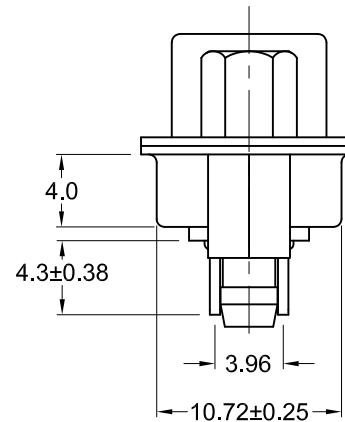
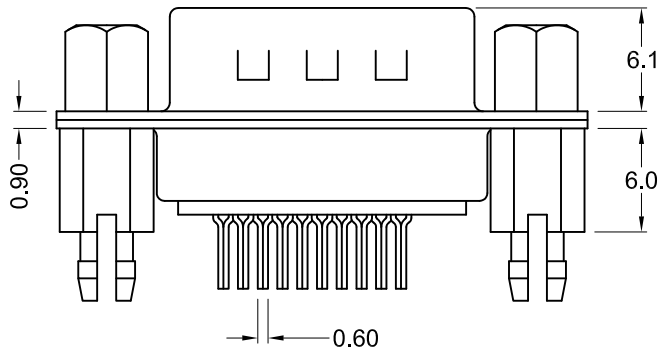


Recommended PCB Layout
(Bottom View)



Material and Finish

Shell: Steel, nickel plated
 Insulator: PBT thermoplastic with glass-fiber reinforcement, UL94V-0 rated
 Color: Black

Contact Material:
 Plug - Brass

Contact Plating Options:
 Standard: gold flash on mating end, tin on termination end, nickel underplate on entire contact

15 Option: 15u" gold on mating end, tin on termination end, nickel underplate on entire contact

30 Option: 30u" gold on mating end, tin on termination end, nickel underplate on entire contact

Electrical Specifications

Rated Current: 1.5A
 Rated Voltage: 30Vac
 Insulation Resistance: more than 1000 megohms at 500V DC
 Contact Resistance: 13 milliohms max.
 Dielectric Withstanding Voltage: 1000V for 1 minute
 Operating Temperature: -55°C to +105°C

Part Number	Contact Area Plating Finish
K86X-ED-15P-BRJ	Gold Flash (standard)
K86X-ED-15P-BRJ15	15u" Gold (-15 option)
K86X-ED-15P-BRJ30	30u" Gold (-30 option)

Tolerances
X.X ± 0.25
X.XX ± 0.15
Unless Stated Otherwise



REV.	DATE	DESCRIPTION	REV. BY	CHK. BY	DRAWN BY	DATE
A1	01/03/06	New Drawing	R. Aguirre	H. MA	R. Aguirre	01/03/06
A2	1/17/08	ECO# 07-052	WILL H.	H. MA		
A3	10/6/14	ECO#14-028	H. MA	P. DalCanto		
A4	12/31/17	ECO #17-033	J. Elbanna	C. Furumasa		

K86X-ED-15P-BRJ

High Density Vertical Mount D-Sub, RoHS Compliant

15 pin plug, boardlocks w/ jackscrews

