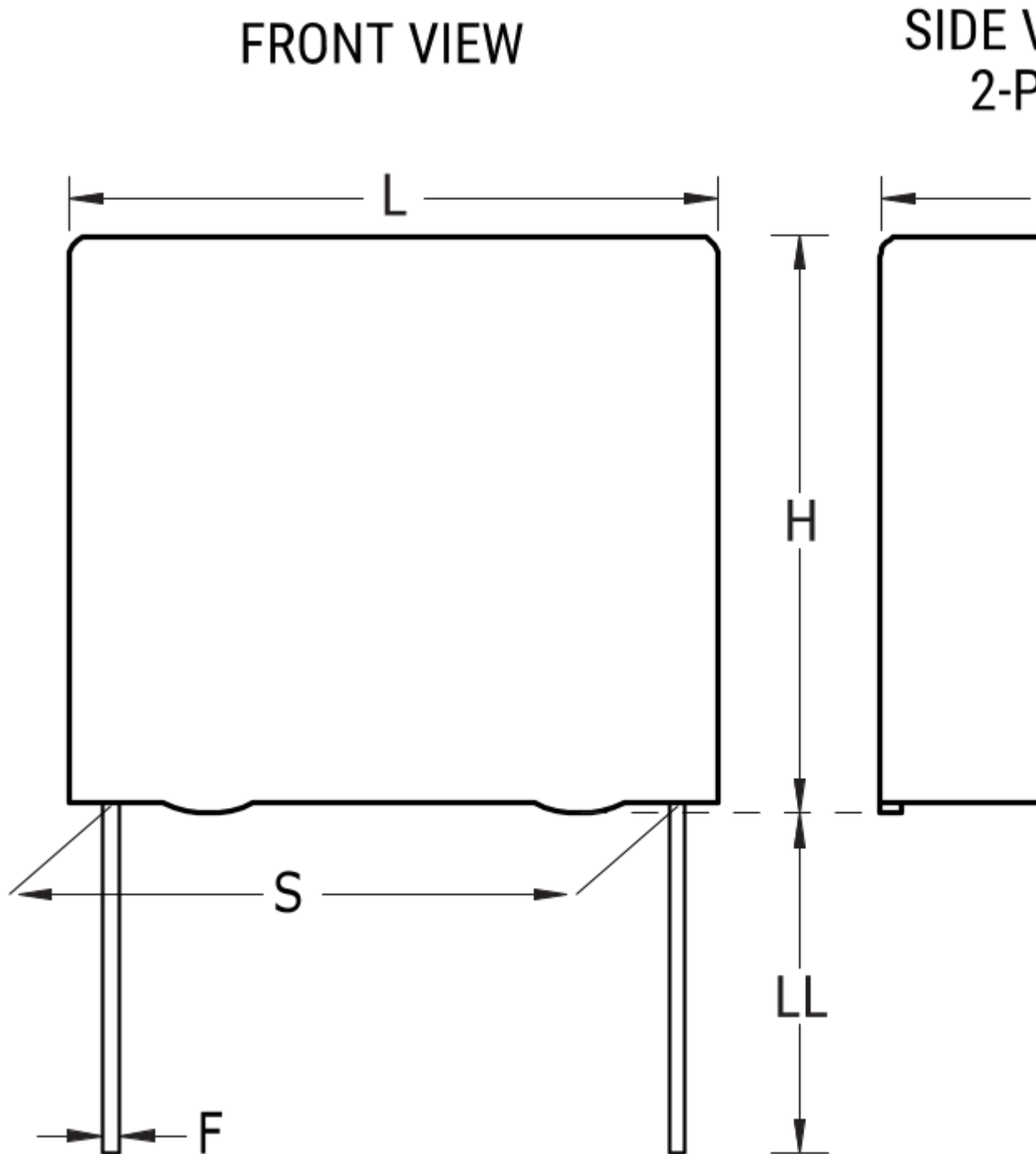


F863BW474M310ALW0L

F863, Film, Metallized Polypropylene, Automotive Safety, 0.47 uF, 20%, 310 VAC (X2), 110°C, Lead Spacing = 15mm



Click [here](#) for the 3D model.

Dimensions

- L 18mm +0.5/-0.5mm
- H 19mm +0.1/-0.5mm
- T 11mm +0.2/-0.5mm
- S 15mm +/-0.4mm

Dimensions

LL 30mm +5mm

F 0.8mm +/-0.05mm

Packaging Specifications

Packaging Bulk, Bag

Packaging Quantity 350

General Information

Series F863

Dielectric Metallized Polypropylene

Style Radial

Features MKP EMI, Automotive Grade, Harsh Environmental Conditions

RoHS Yes

Lead Wire Leads

Safety Class X2

Qualifications ENEC, UL, cUL, CQC, AEC-Q200

AEC-Q200 Yes

THB Performance Yes

Component Weight 4.9 g

Shelf Life 104 Weeks

Specifications

Capacitance 0.47 uF

Capacitance Tolerance 20%

Voltage AC 310 VAC (X2)

Temperature Range -40/+110°C

Rated Temperature 110°C

Dissipation Factor 0.2% 1kHz

Insulation Resistance 10 GOhms

Max dV/dt 400 V/us

Statements of suitability for certain applications are based on our knowledge of typical operating conditions for such applications, but are not intended to constitute - and we specifically disclaim - any warranty concerning suitability for a specific customer application or use. This Information is intended for use only by customers who have the requisite experience and capability to determine the correct products for their application. Any technical advice inferred from this Information or otherwise provided by us with reference to the use of our products is given gratis, and we assume no obligation or liability for the advice given or results obtained.

Generated 5/18/2023 - 1b4fd07b-c383-4edf-a30c-a08f77e80e3f

© 2006 - 2023 KEMET

Generated 5/18/2023 - 1b4fd07b-c383-4edf-a30c-a08f77e80e3f

© 2006 - 2023 KEMET