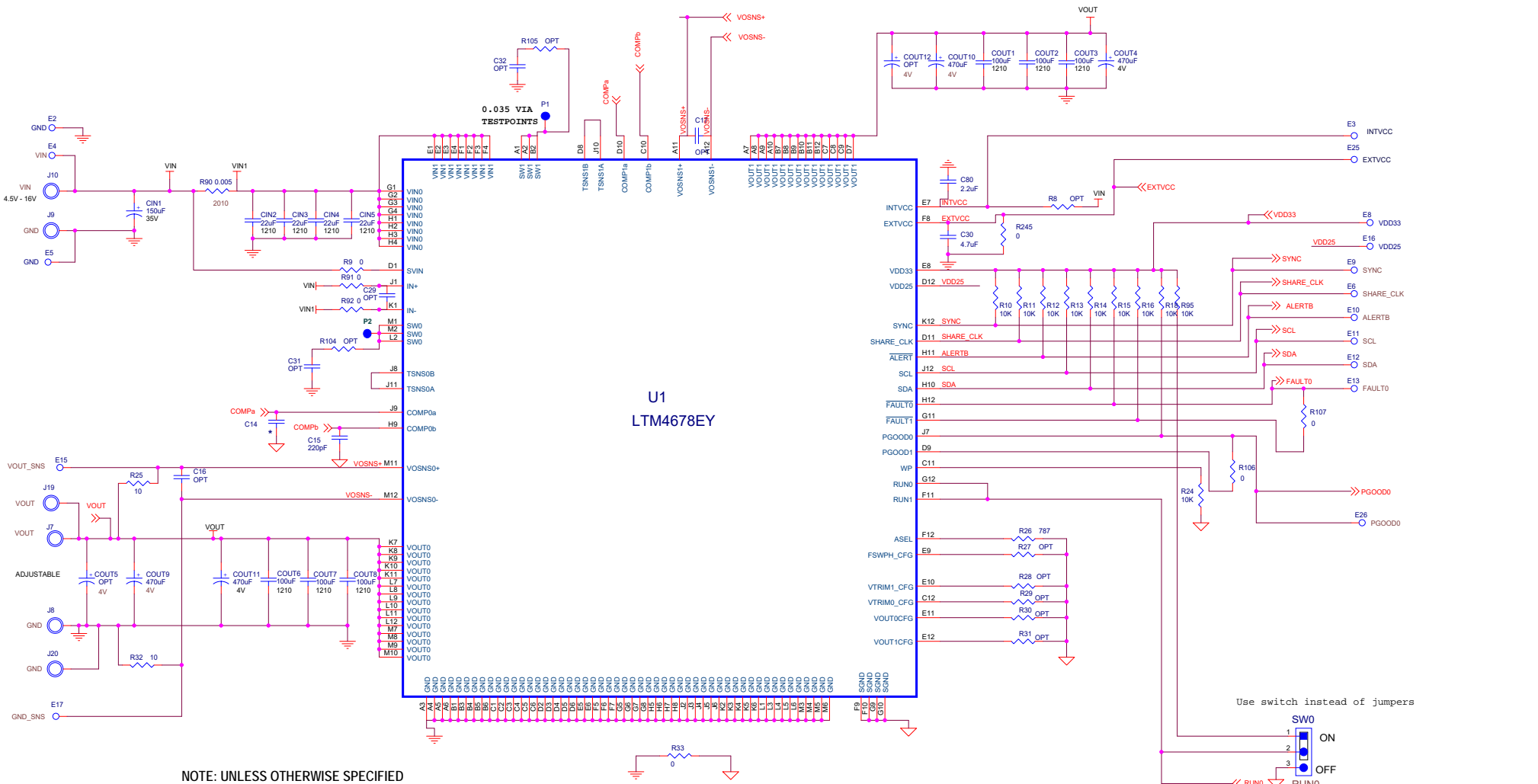


REVISION HISTORY				
ECO	REV	DESCRIPTION	APPROVED	DATE
—	2	PRDUCTION	H ZHOU	2-21-18



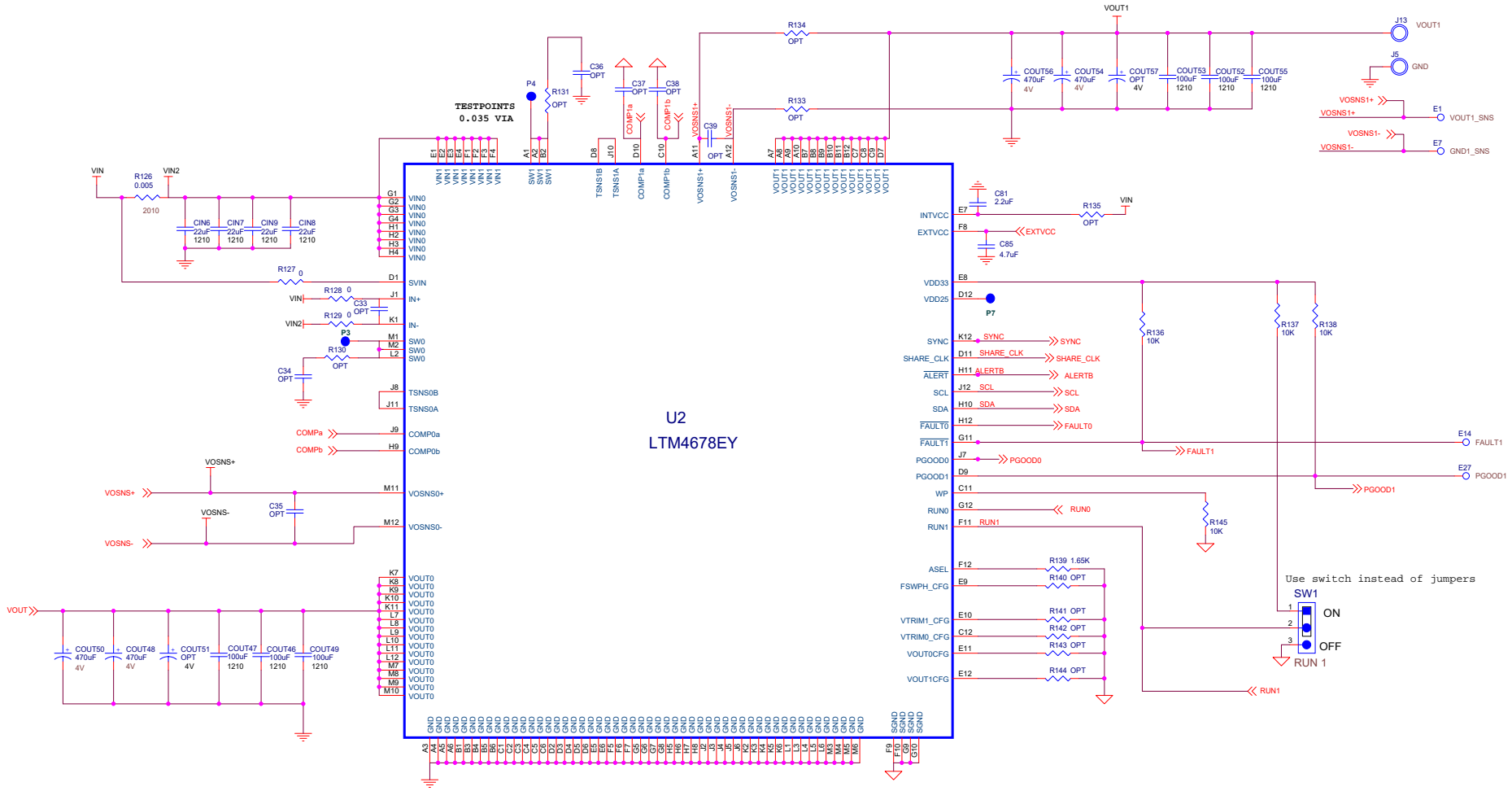
NOTE: UNLESS OTHERWISE SPECIFIED
1. ALL RESISTORS AND CAPACITORS ARE 0603.

ASSY	Module	Iout	C14	CIN10, 11, 12, 13	CIN14, 15, 16, 17	CIN18, 19, 20, 21	COU60, 61, 64, 63	COU72, 73, 75, 80	COU84, 87, 88, 93	COU58, 59, 62, 65, 66, 67	COU70, 71, 74, 77, 78, 79	COU82, 83, 86, 89, 90, 91
-A	U1, U2	100A	10nF	OPT	OPT	OPT	OPT	OPT	OPT	OPT	OPT	OPT
-B	U1, U2, U3	150A	12nF	22uF	OPT	OPT	470uF	OPT	OPT	100uF	OPT	OPT
-C	U1, U2, U3, U4	UP TO 200A	18nF	22uF	22uF	OPT	470uF	470uF	OPT	100uF	100uF	OPT
-D	U1, U2, U3, U4, U5	UP TO 250A	27nF	22uF	22uF	22uF	470uF	470uF	470uF	100uF	100uF	100uF

*WHEN VIN < 5.75V, SHORT INTVCC to VIN WITH R8=0

*WHEN EXTVCC IS USED, R249=OPEN

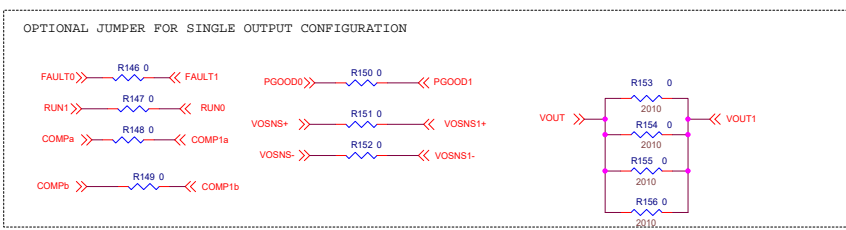
CUSTOMER NOTICE		APPROVALS		
<small>ANALOG DEVICES HAS MADE A BEST EFFORT TO DESIGN A CIRCUIT THAT MEETS CUSTOMER-SUPPLIED SPECIFICATIONS; HOWEVER, IT REMAINS THE CUSTOMER'S RESPONSIBILITY TO VERIFY PROPER AND RELIABLE OPERATION IN THE ACTUAL APPLICATION. COMPONENT SUBSTITUTION AND PRINTED CIRCUIT BOARD LAYOUT MAY SIGNIFICANTLY AFFECT CIRCUIT PERFORMANCE OR RELIABILITY. CONTACT ANALOG DEVICES APPLICATIONS ENGINEERING FOR ASSISTANCE.</small>		PCB DES.	HZ	
		APP. ENG.	H.Zhou	TITLE: SCHEMATIC HIGH EFFICIENCY, POLY-PHASE, DC/DC STEP-DOWN μ Module REGULATOR WITH DIGITAL POWER MANAGEMENT
		IC NO.	LTM4678EY	IC NO. LTM4678EY SKU NO. DC2638A
		THIS CIRCUIT IS PROPRIETARY TO ANALOG DEVICES AND SUPPLIED FOR USE WITH ANALOG DEVICES PARTS.		SCHEMATIC NO. AND REVISION: DC26381A-A/B/C/D_REV02
		SIZE:	N/A	DATE: 2-21-18 SHEET 1 OF 7



TESTPOINTS
0.035 VIA

U2
LTM4678EY

Use switch instead of jumpers
SW1
1 ON
2
3 OFF
RUN 1

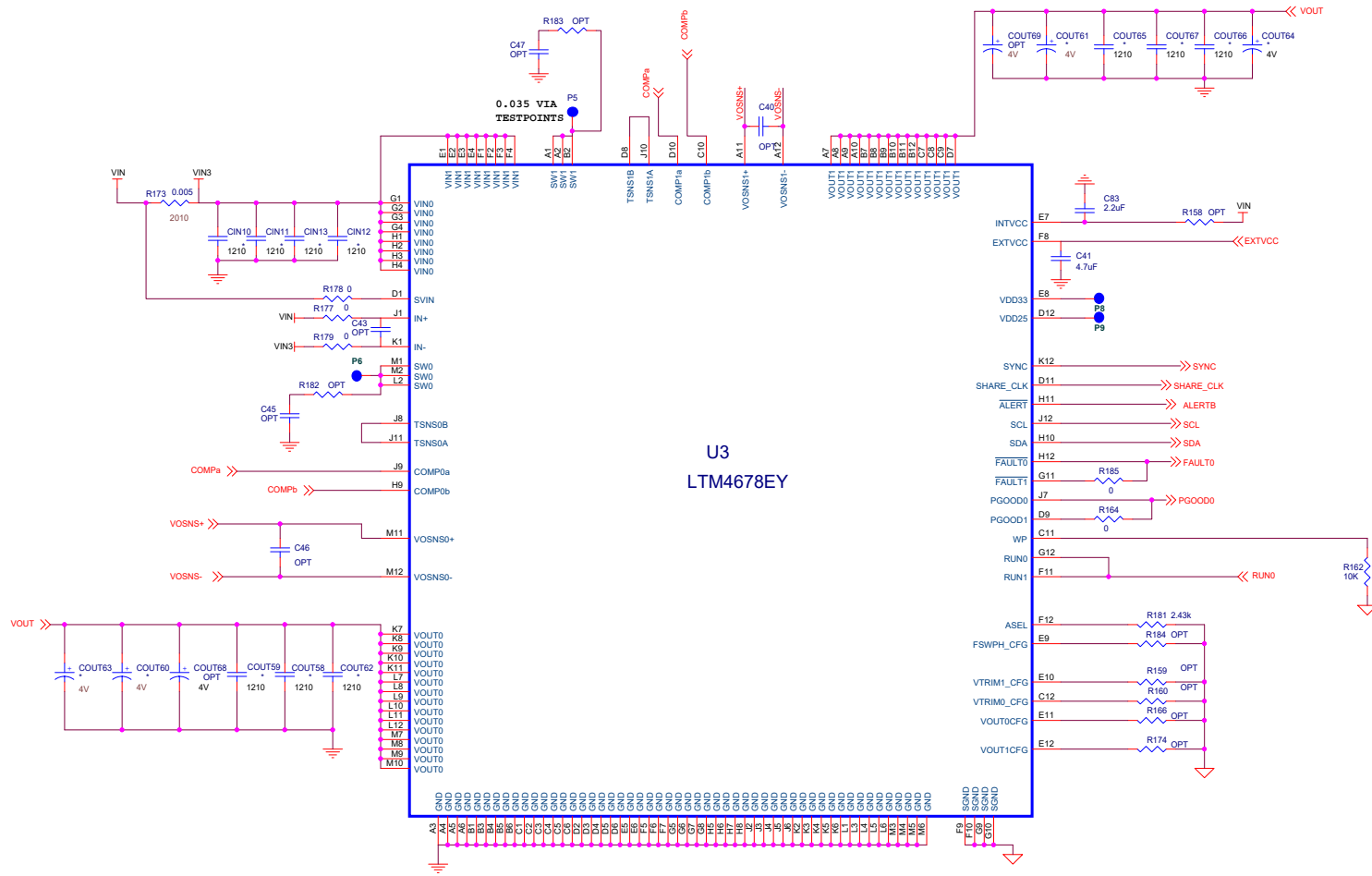


CUSTOMER NOTICE
ANALOG DEVICES HAS MADE A BEST EFFORT TO DESIGN A CIRCUIT THAT MEETS CUSTOMER-SUPPLIED SPECIFICATIONS. HOWEVER, IT REMAINS THE CUSTOMER'S RESPONSIBILITY TO VERIFY PROPER AND RELIABLE OPERATION IN THE ACTUAL APPLICATION. COMPONENT SUBSTITUTION AND PRINTED CIRCUIT BOARD LAYOUT MAY SIGNIFICANTLY AFFECT CIRCUIT PERFORMANCE OR RELIABILITY. CONTACT ANALOG DEVICES APPLICATIONS ENGINEERING FOR ASSISTANCE.

THIS CIRCUIT IS PROPRIETARY TO ANALOG DEVICES AND SUPPLIED FOR USE WITH ANALOG DEVICES PARTS.

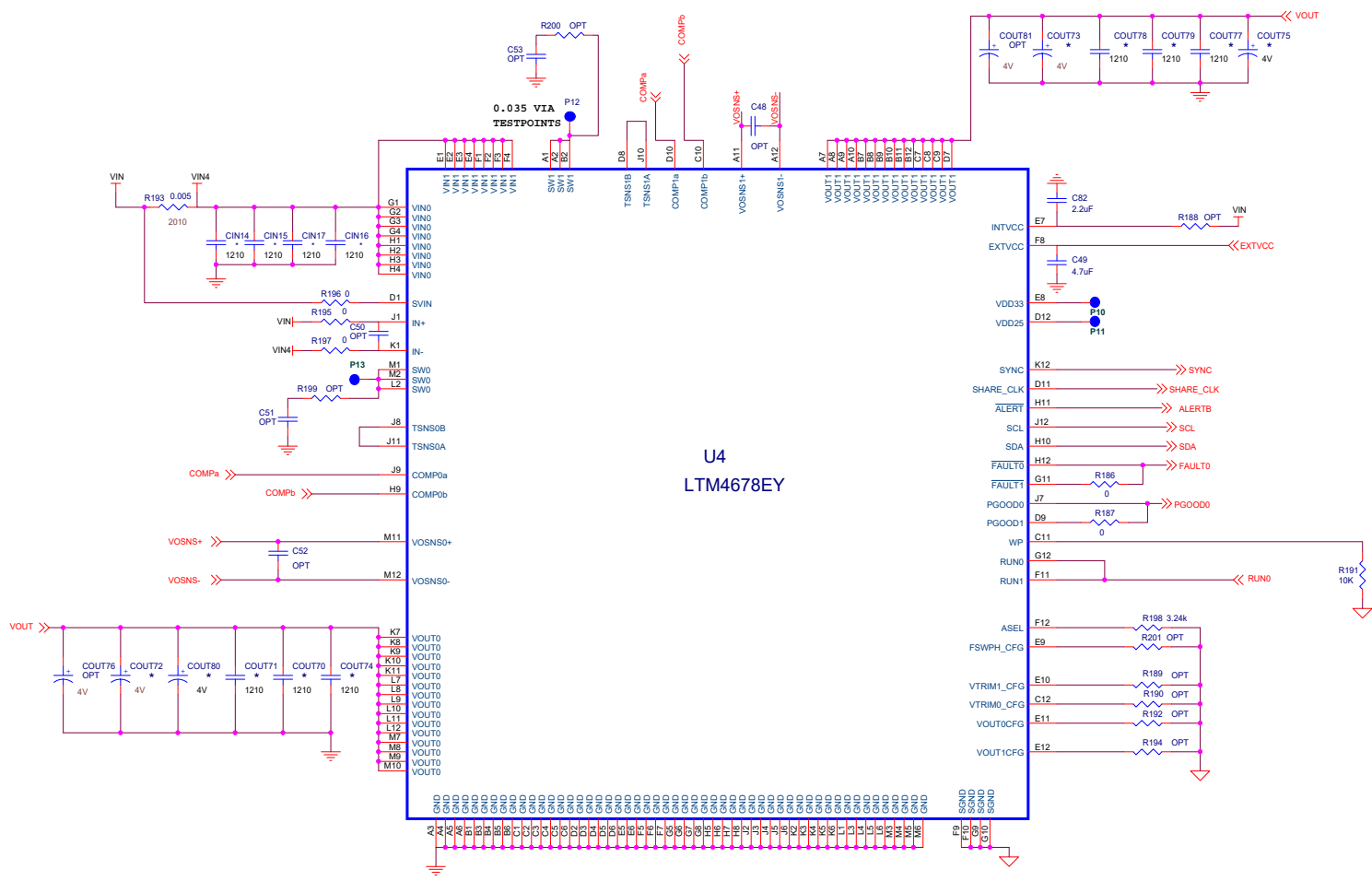
APPROVALS	
PCB DES.	HZ
APP ENG.	H.Zhou

www.analog.com www.linear.com Phone: (408)432-1900	
TITLE: SCHEMATIC HIGH EFFICIENCY, POLY-PHASE, DC/DC STEP-DOWN μModule REGULATOR WITH DIGITAL POWER MANAGEMENT	
IC NO.	LTM4678EY
SKU NO.	DC2638A
SCHEMATIC NO. AND REVISION: DC26381A-A/B/C/D_REV02	
SIZE:	N/A
DATE:	2-21-18
SHEET 2 OF 7	

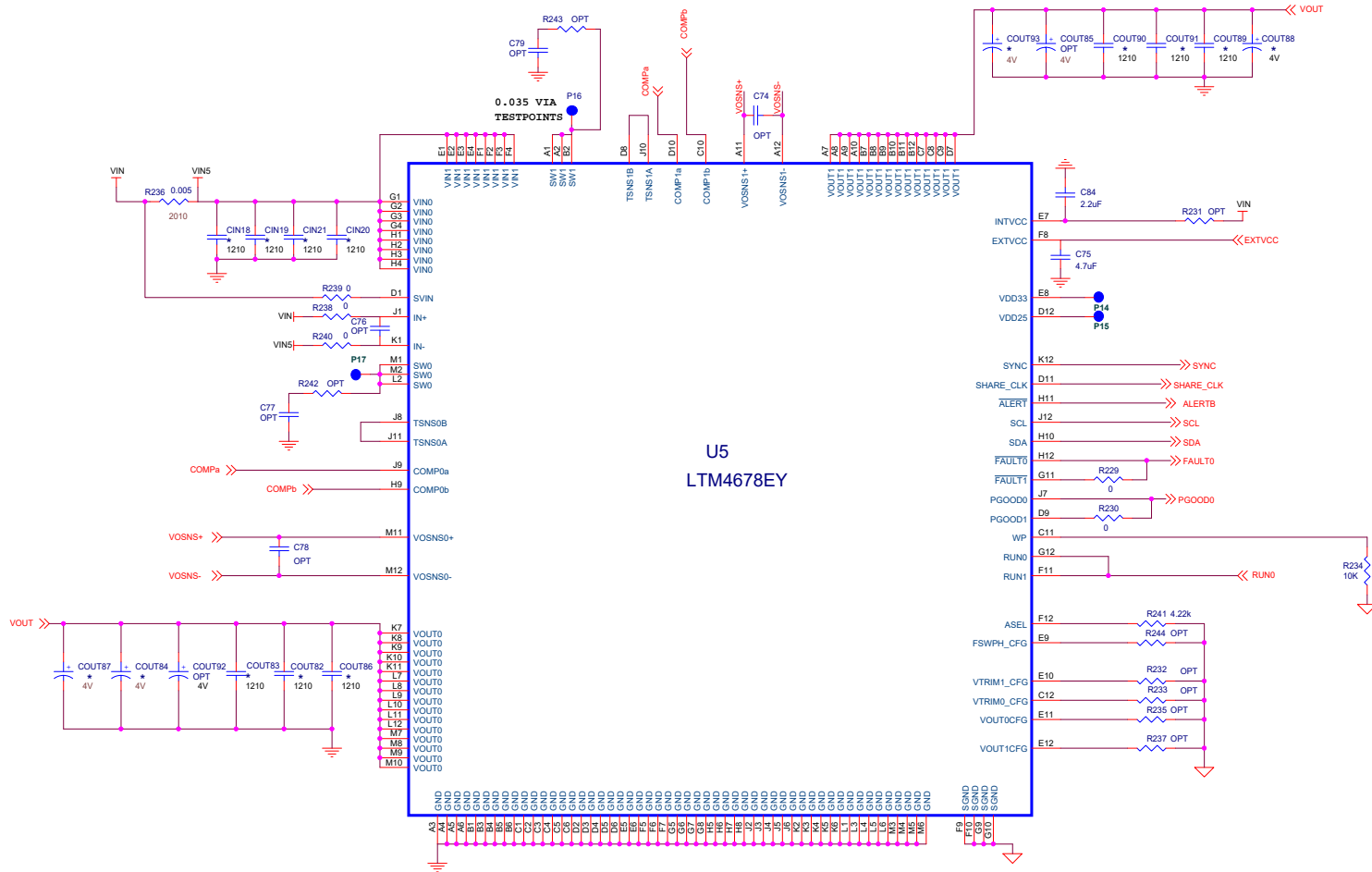


U3
LTM4678EY

<p>CUSTOMER NOTICE</p> <p>ANALOG DEVICES HAS MADE A BEST EFFORT TO DESIGN A CIRCUIT THAT MEETS CUSTOMER-SUPPLIED SPECIFICATIONS. HOWEVER, IT REMAINS THE CUSTOMER'S RESPONSIBILITY TO VERIFY PROPER AND RELIABLE OPERATION IN THE ACTUAL APPLICATION. COMPONENT SUBSTITUTION AND PRINTED CIRCUIT BOARD LAYOUT MAY SIGNIFICANTLY AFFECT CIRCUIT PERFORMANCE OR RELIABILITY. CONTACT ANALOG DEVICES APPLICATIONS ENGINEERING FOR ASSISTANCE.</p>	<p>APPROVALS</p>		<p>ANALOG DEVICES POWER BY LINEAR</p> <p>www.analog.com www.linear.com Phone: (408)432-1900</p>	
	PCB DES.	HZ		TITLE: SCHEMATIC
	APP ENG.	H.Zhou		IC NO. LTM4678EY
				SKU NO. DC2638A
<p>THIS CIRCUIT IS PROPRIETARY TO ANALOG DEVICES AND SUPPLIED FOR USE WITH ANALOG DEVICES PARTS.</p>	<p>SKU NO. DC2638A</p>	<p>SCHEMATIC NO. AND REVISION: DC26381A-A/B/C/D_REV02</p>	<p>DATE: 2-21-18</p>	
		<p>SIZE: N/A</p>	<p>SHEET 3 OF 7</p>	



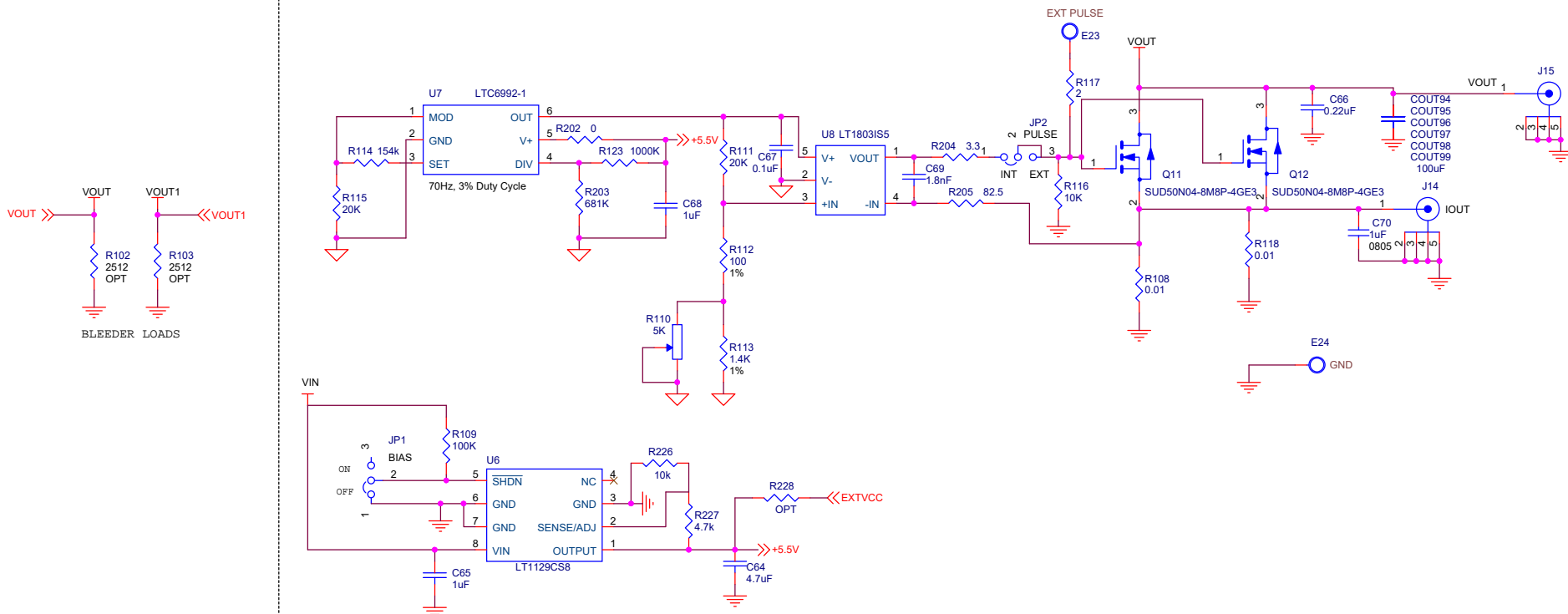
CUSTOMER NOTICE		APPROVALS		
<small>ANALOG DEVICES HAS MADE A BEST EFFORT TO DESIGN A CIRCUIT THAT MEETS CUSTOMER-SUPPLIED SPECIFICATIONS. HOWEVER, IT REMAINS THE CUSTOMER'S RESPONSIBILITY TO VERIFY PROPER AND RELIABLE OPERATION IN THE ACTUAL APPLICATION. COMPONENT SUBSTITUTION AND PRINTED CIRCUIT BOARD LAYOUT MAY SIGNIFICANTLY AFFECT CIRCUIT PERFORMANCE OR RELIABILITY. CONTACT ANALOG DEVICES APPLICATIONS ENGINEERING FOR ASSISTANCE.</small>		PCB DES.	HZ	
<small>THIS CIRCUIT IS PROPRIETARY TO ANALOG DEVICES AND SUPPLIED FOR USE WITH ANALOG DEVICES PARTS.</small>		APP ENG.	H.Zhou	IC NO. LTM4678EY SKU NO. DC2638A
				SCHEMATIC NO. AND REVISION: DC26381A-A/B/C/D_REV02
		SIZE: N/A	DATE: 2-21-18	SHEET 4 OF 7



CUSTOMER NOTICE		APPROVALS		
<small>ANALOG DEVICES HAS MADE A BEST EFFORT TO DESIGN A CIRCUIT THAT MEETS CUSTOMER-SUPPLIED SPECIFICATIONS. HOWEVER, IT REMAINS THE CUSTOMER'S RESPONSIBILITY TO VERIFY PROPER AND RELIABLE OPERATION IN THE ACTUAL APPLICATION. COMPONENT SUBSTITUTION AND PRINTED CIRCUIT BOARD LAYOUT MAY SIGNIFICANTLY AFFECT CIRCUIT PERFORMANCE OR RELIABILITY. CONTACT ANALOG DEVICES APPLICATIONS ENGINEERING FOR ASSISTANCE.</small>		PCB DES.	HZ	
		APP ENG.	H.Zhou	www.linear.com
		TITLE: SCHEMATIC HIGH EFFICIENCY, POLY-PHASE, DC/DC STEP-DOWN		
		<small>µModule REGULATOR WITH DIGITAL POWER MANAGEMENT</small>		
		IC NO. LTM4678EY SCHEMATIC NO. AND REVISION:		
		SKU NO. DC2638A DC26381A-A/B/C/D_REV02		
<small>THIS CIRCUIT IS PROPRIETARY TO ANALOG DEVICES AND SUPPLIED FOR USE WITH ANALOG DEVICES PARTS.</small>		SIZE: N/A DATE: 2-21-18		SHEET 5 OF 7

ALL PARTS ON THIS PAGE ARE FOR DEMO ONLY, NOT USED IN CUSTOMER DESIGN

DYNAMIC LOAD CIRCUIT



CUSTOMER NOTICE

ANALOG DEVICES HAS MADE A BEST EFFORT TO DESIGN A CIRCUIT THAT MEETS CUSTOMER-SUPPLIED SPECIFICATIONS; HOWEVER, IT REMAINS THE CUSTOMER'S RESPONSIBILITY TO VERIFY PROPER AND RELIABLE OPERATION IN THE ACTUAL APPLICATION. COMPONENT SUBSTITUTION AND PRINTED CIRCUIT BOARD LAYOUT MAY SIGNIFICANTLY AFFECT CIRCUIT PERFORMANCE OR RELIABILITY. CONTACT ANALOG DEVICES APPLICATIONS ENGINEERING FOR ASSISTANCE.

THIS CIRCUIT IS PROPRIETARY TO ANALOG DEVICES AND SUPPLIED FOR USE WITH ANALOG DEVICES PARTS.

APPROVALS

PCB DES.	HZ
APP ENG.	H.Zhou



www.analog.com www.linear.com Phone: (408)432-1900

TITLE: SCHEMATIC
HIGH EFFICIENCY, POLY-PHASE, DC/DC STEP-DOWN

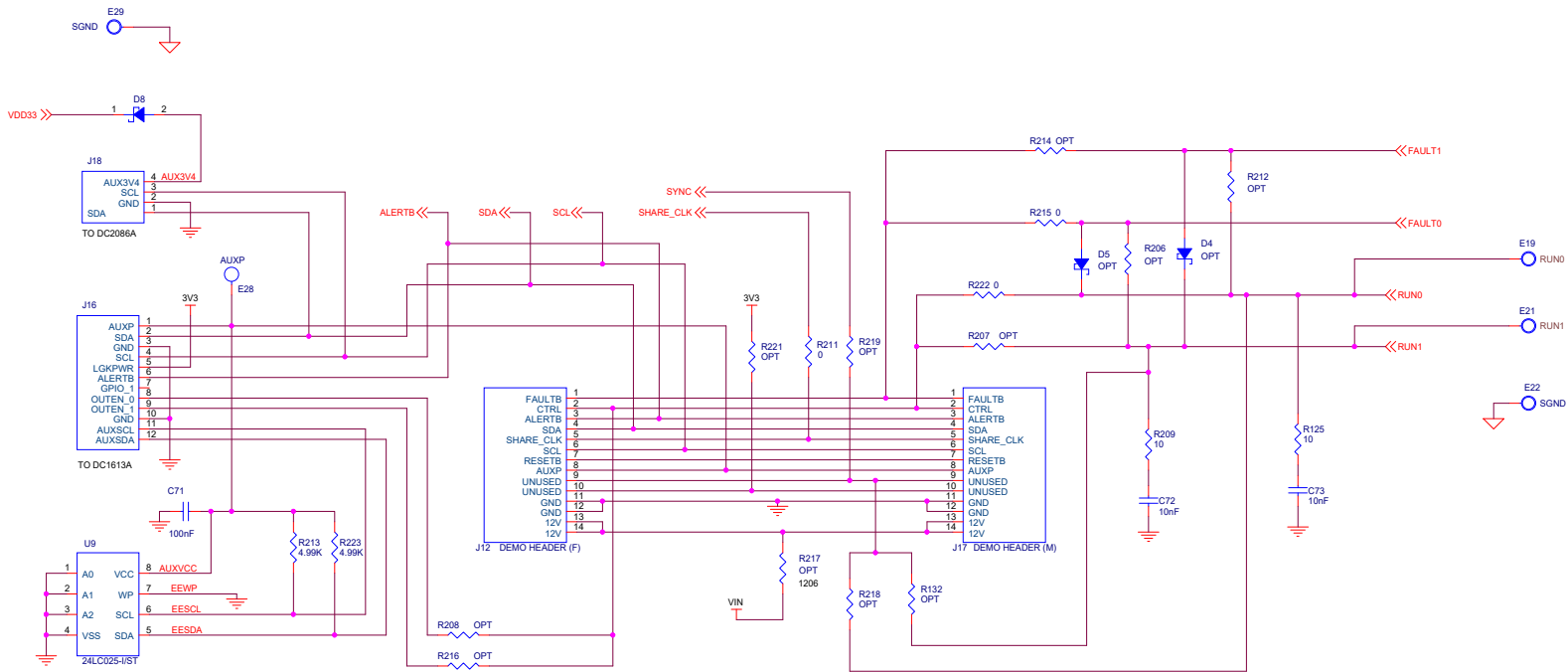
IC NO. LTM4678EY
SKU NO. DC2638A

SCHEMATIC NO. AND REVISION:
DC26381A-A/B/C/D_REV02

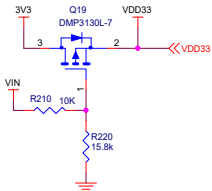
SIZE: N/A DATE: 2-21-18

SHEET 6 OF 7

ALL PARTS ON THIS PAGE ARE FOR DEMO ONLY, NOT NEEDED IN CUSTOMER DESIGN

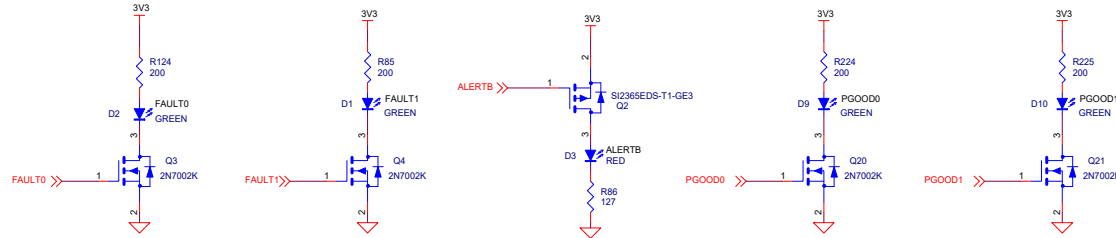


OPTIONAL CIRCUIT FOR PROGRAMMING WITHOUT VIN



PSM STACKING CONNECTORS:

J1, MALE, CONN HEADER 14POS 2MM R/A GOLD, Molex Connector Corp. 87760-1416
 J2, FEMALE, CONN RECEPT 2MM DUAL R/A 14POS, Sullins Conn. NPPN072PJPN-RC



CUSTOMER NOTICE		APPROVALS		ANALOG DEVICES	POWER BY LINEAR		
ANALOG DEVICES HAS MADE A BEST EFFORT TO DESIGN A CIRCUIT THAT MEETS CUSTOMER-SUPPLIED SPECIFICATIONS; HOWEVER, IT REMAINS THE CUSTOMER'S RESPONSIBILITY TO VERIFY PROPER AND RELIABLE OPERATION IN THE ACTUAL APPLICATION. COMPONENT SUBSTITUTION AND PRINTED CIRCUIT BOARD LAYOUT MAY SIGNIFICANTLY AFFECT CIRCUIT PERFORMANCE OR RELIABILITY. CONTACT ANALOG DEVICES APPLICATIONS ENGINEERING FOR ASSISTANCE.		PCB DES.	HZ			www.analog.com	
		APP ENG.	H.Zhou	www.linear.com Phone: (408)432-1900			
		TITLE: SCHEMATIC				HIGH EFFICIENCY, POLY-PHASE, DC/DC STEP-DOWN	
		IC NO. LTM4678EY		SCHEMATIC NO. AND REVISION:			
		SKU NO. DC2638A		DC26381A-A/B/C/D_REV02			
THIS CIRCUIT IS PROPRIETARY TO ANALOG DEVICES AND SUPPLIED FOR USE WITH ANALOG DEVICES PARTS.		SIZE: N/A	DATE: 2-21-18	SHEET 7 OF 7			