



Part Number: D3I1525

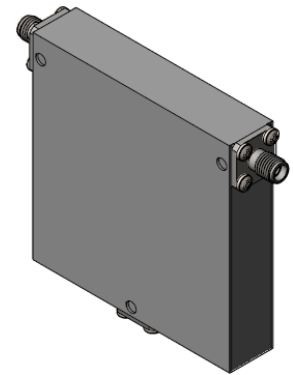
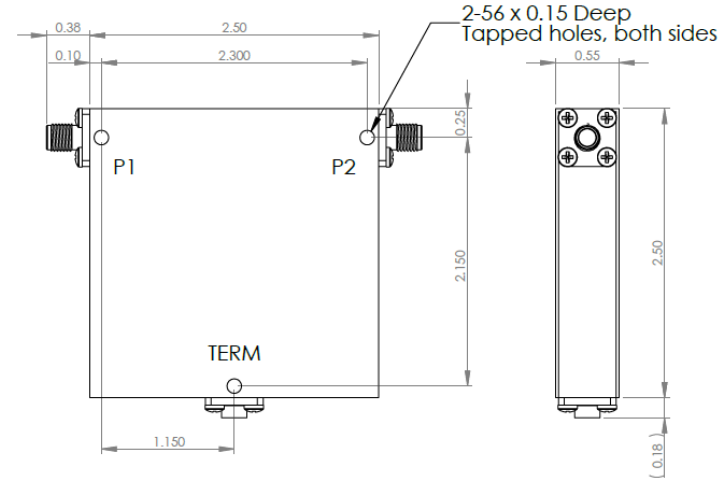
Electrical Specifications

Frequency Range (GHz):	1.5 – 2.5
Isolation (dB):	16 MIN
Insertion Loss (dB):	0.6 MAX
VSWR:	1.4:1 MIN
Forward Power (W):	40 AVG 50 PK
Reflective Power (W):	2 AVG

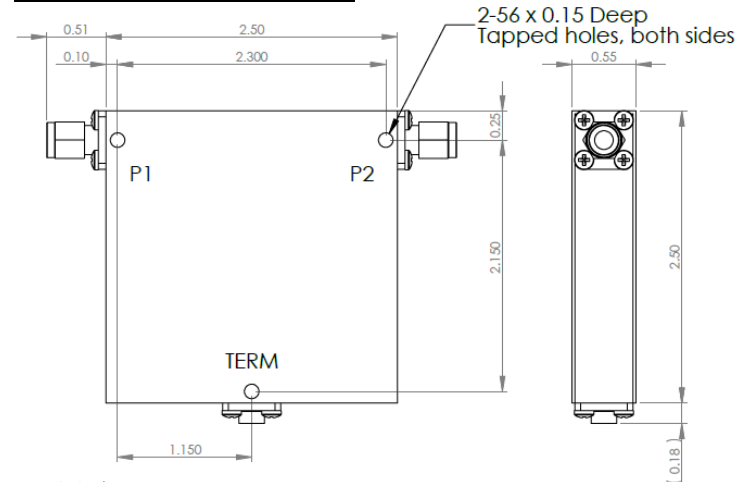
Mechanical/Environmental Specifications

Connector Type:	SMA
Connector Body:	Passivated stainless steel
Connector Pin:	Gold plated copper
Load Body:	Brass
Magnetic Shunt:	Nickel plated CRS
Operational Temp:	+10°C to +55°C
Weight (oz)	6.0 MAX

D3I1525 Dimensions



D3I1525-3 Dimensions



Dimensions are in inches
Tolerance

XX ±0.03
XXX ±0.010

Type of Device	PN Suffix	Connector Configuration Input / Output	PN Example
Single and Dual Junction Isolator, 2-Port Device Input / Output	N/A	Female / Female	D3I1525
	-1	Male / Female	D3I1525-1
	-2	Female / Male	D3I1525-2
	-3	Male / Male	D3I1525-3



MEASURED DATA

Part Number: D3I1525, +25°C

