



PRODUCT CHANGE NOTIFICATION

Date: November 06, 2015
PCN: PCN LEDIL 112 a, b, c, d

Subject: PCN 112.c – Change of product mechanical design

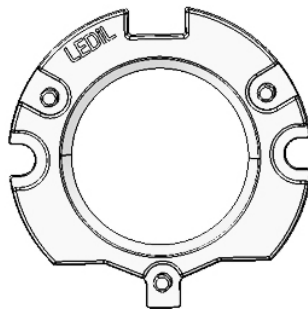
Description: As part of our continuous improvement process regarding the quality of our products LEDiL has widened the area for screw heads in C13709_PF-SOCKET-VER013-18 to allow fastening with washers and spring washers. This change doesn't cause optical changes to products.

Time line: LEDiL offers last buy opportunity to customers until December 6th 2015 after which only improved products are available

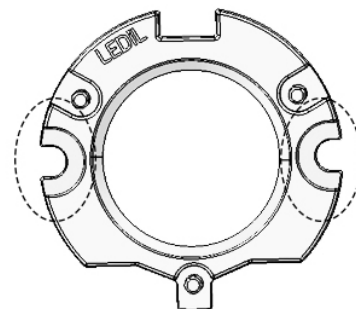
Affected products: C13709_PF-SOCKET-VER013-18 and all its assemblies.

Changes: Area reserved for screw heads has been enlarged from 6.1mm to 7.5mm.

OLD VERSION



NEW VERSION



Contact information: Tero Mäkinen
LEDIL Oy
Salorankatu 10
24240 SALO, FINLAND
tero.makinen@ledil.com