

## 电源产品规格书

### Power supply product specification

产品名称: 120W—LED 桌面式电源

120W—LED 桌面式电源

Product Name: 120W—LED Desktop Adapter

120W—LED Desktop Adapter

产品型号: AD-EL-1201200-Z (PF>0.9)

AD-EL-2401200-Z (PF>0.9)

Product Item: AD-EL-1201200-Z (PF>0.9)

AD-EL-2401200-Z (PF>0.9)

Shanghai Edge Light Industry Co.,LTD.

TEL:+86-21-64412288

FAX:+86-21-64412266

E-mail: [info@edgelight.com](mailto:info@edgelight.com)



## 1、产品简介 Product Introductions



**AD-EL-1201200-Z (PF>0.9)**



**AD-EL-2401200-Z (PF>0.9)**

- 电气类型：隔离电源

Electrical type: isolated power supply

- 功能说明：全电压（半电压）无频闪

Function description: full voltage (half voltage) without stroboscopic

- 产品特性：SELV 全电压范围内满载输出，高性能，高效率，高功率密度，可以连接我司的 three-in-one 调光控制器 构成 pwm/0-10v/resistor 调光电源

Features: Full load output in SELV full voltage range, high performance, high efficiency, high power density, can be connected to our three-in-one dimming controller. pwm/0-10v/resistor dimming power supply

- 应用领域：led 照明领域，通信互联网设备供电
- 质保：参见产品寿命曲线

Warranty: See product life curve

- 认证：



Certification:

## 2、电气规格 Electrical Specifications

指标 Index	型号全称 Full name of model	AD-EL-1201200-Z(PF>0.9)	AD-EL-2401200-Z(PF>0.9)
输出特性 Output characteristic	输出电压 Output voltage	12V	24V
	输出电流 Output current	10A	5A
	纹波+噪声电压 (最大) Ripple voltage + noise(peak-to-pe ak)	200mV (Vp-p)	150mV (Vp-p)
	电压精度 Voltage accuracy	±3%	±1%
	启动时间 (最大) Start time (maximum)	1s	1s
	温度漂移 Temperature drift	±0.03%/°C (0-60°C)	±0.03%/°C (0-60°C)
	输出线性调整率 Output linear adjustment rate	±3%	±1%
	负载调整率 Load regulation rate	±3%	±1%
	保持时间 Preserve time	80ms	40ms
	输入特性 Input characteristic s	输入电压 Input voltage	100VAC-240VAC
输入频率 Input frequency		50Hz/60Hz	50Hz/60Hz
输入电流 (最大值) Input current (maximum)		2A	2.3A
漏电流		0.8mA	0.7mA

	Leakage current		
	效率 Efficiency	88%	91%
	浪涌电流 Surge current	冷启动 40A @230Vac	
	空载功耗/待机功耗 No-load power consumption / standby power consumption	0.8W/0.8W	0.85W/0.85W
保护特性 Protection characteristics	过流保护 Over current protection	15A	9A
	短路保护 Short circuit protection	有 yes	有 yes
环境描述 Environmental description	工作温度 Operating temperature	Tcase=-20°C-50°C	
	工作湿度 Working humidity	20-95%RH, 无冷凝 No cold condensation	
	存储温度-湿度 Storage temperature-humidity	-20°C-50°C 10-95%RH	
	大气压强 Atmospheric pressure	86-106KPa	
安全及规范 Safety and regulation	认证 Certification	CE、CB、UL-60950、UL-1310 (仅AD-EL-240720-Z)	
	耐压 Pressure resistant	I/P-O/P:3KVAC	
	绝缘阻抗 Insulation resistance	I/P-O/P, I/P-FG,O/P-FG: 100MΩ/500Vdc/70%RH	
	电磁兼容干扰 Electromagnetic compatibility	符合 EN55015、EN61000-3-2、EN61000-3-3, EN61547 标准要求 Meets EN55015, EN61000-3-2, EN61000-3-3, EN61547	

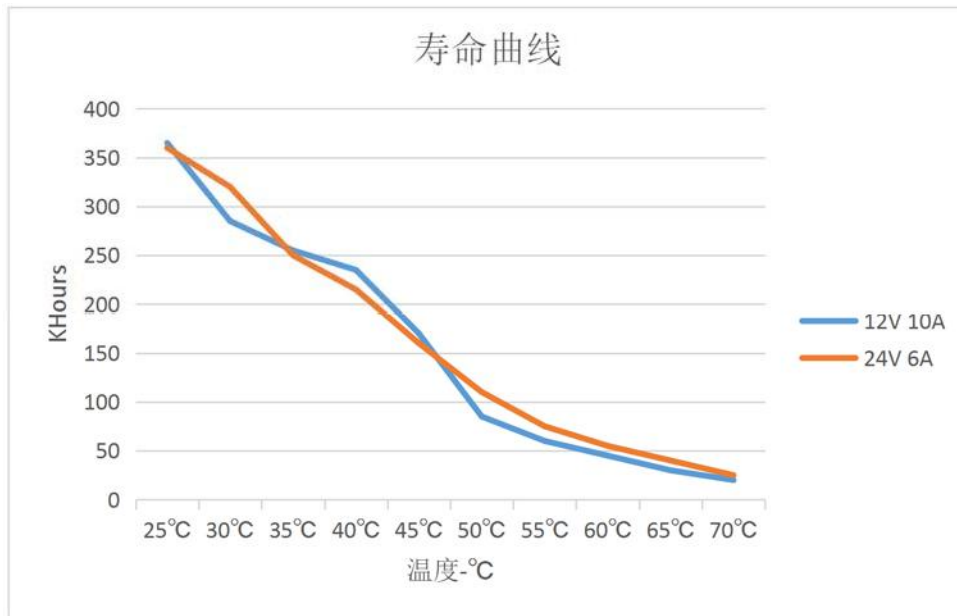
	interference	requirements	
	电磁兼容抗干扰 Electromagnetic compatibility anti-jamming	EN61000-3-2, EN61000-3-3, EN61547 标准要求 EN61000-3-2, EN61000-3-3, EN61547 standard requirements	
其他 Others	包装 Package	净重量约 486.2g, 包装 530g*50pcs; 26.5kg The net weight is about 486.2g, and the package is 530*50pcs; 26.5kg	净重量 488.8g, 包装 530*50pcs; 26.5kg Net weight 488.8g, packaging 530*50pcs; 26.5kg
	尺寸 Size	171.5*72*33.12mm	
	IP 等级说明 IP Level description	IP20	
	质保说明 Warranty description	≥2 年, 参见寿命曲线 ≥ 2 years, refer to life curve	≥2 年, 参见寿命曲线 ≥ 2 years, refer to life curve
测试设备 Test Equipment	LCR METER: TH2830, fluke 数字万用表, 电子负载: PEL-3041, 交流源: 远方 PPS1010、功率分析仪: Ainuo, 数字示波器: SDS3034E, 传导分析仪: 远方 LS-3、FFT3030, 接地电阻测试仪: MS2520C 型, 耐压测试仪: TH9320, 烤箱, 电脑监控老化测试系统 LCR METER: TH2830, fluke digital multimeter, electronic load: PEL-3041, AC source: remote PPS1010, power analyzer: Ainuo, digital oscilloscope: SDS3034E, conduction analyzer: remote LS-3, FFT3030, ground resistance tester: MS2520C Type, withstand voltage tester: TH9320, oven, computer monitoring aging test system.		
测试说明 Test instruction	纹波电压测试方法: 示波器探头设置 AC, 带宽设置 20M, 在输出端并接 10uF 电解电容/100nF 贴片电容。 电压调整率: 所述产品效率在输入电压 230Vac 时测试。 Ripple voltage test method: The oscilloscope probe is set to AC, the bandwidth is set to 20M, and 10uF electrolytic capacitor/100nF chip capacitor is connected at the output end. Voltage Regulation: The product efficiency is tested at an input voltage of 230Vac.		



### 3、产品寿命 Product life span

在一个密闭空间内，当环境温度达到 30°C, 40°C, 50°C, 60°C, 70°C时，计算产品使用寿命

In a confined space, when the ambient temperature reaches 30 ° C, 40 ° C, 50 ° C, 60 ° C, 70 ° C, Calculate product life



### 4、输出负载 VS 环境温度

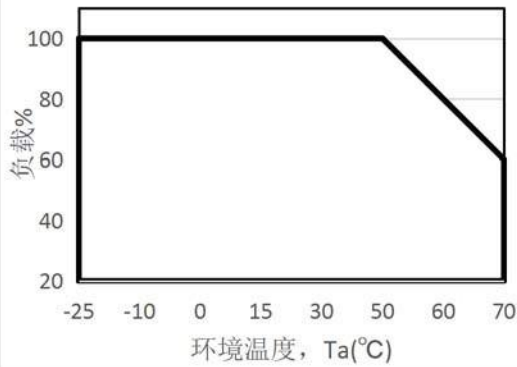
Output load VS ambient temperature

### 5.静态特性曲线

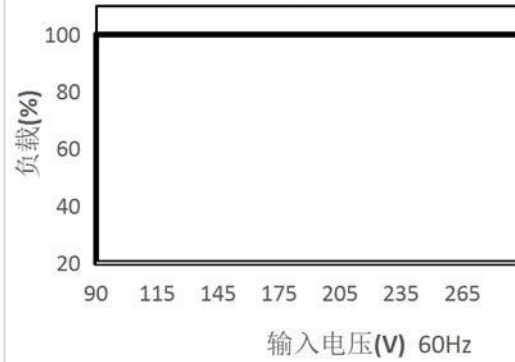
Static characteristic curve



输出负载VS环境温度

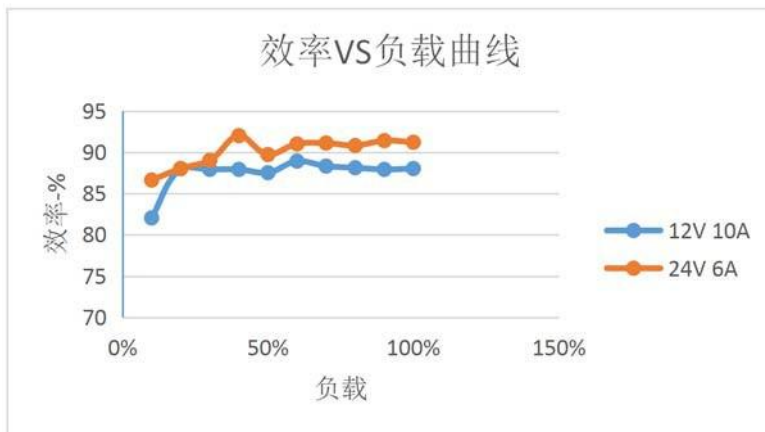


静态特性曲线

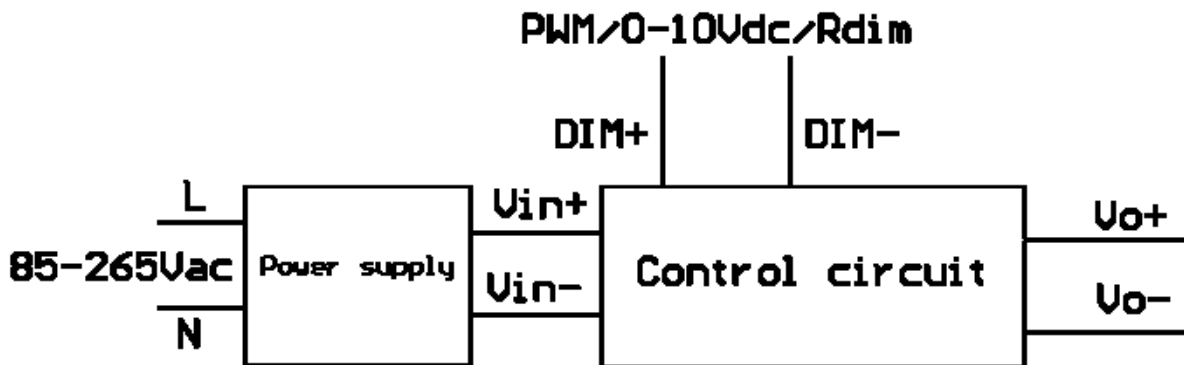


## 6、效率 VS 负载 Efficiency vs load

效率VS负载曲线



## 7、结合调光器使用连接图 Use the connection diagram with the dimmer



**三合一调光功能:**

在 DIM+和 DIM-间连接一个电阻或连接 0-10V 直流电压或 PWM 信号, 即可调整输出恒电流的数值。  
Vo+和 Vo-之间直接连接 12V 或者 24V 的 LED 灯条或灯带。

**Three-in-one dimming function:**

The output constant current value can be adjusted by connecting a resistor or connecting a 0-10V DC voltage or PWM signal between DIM+ and DIM-.  
A 12V or 24V LED strip or strip is directly connected between Vo+ and Vo-.

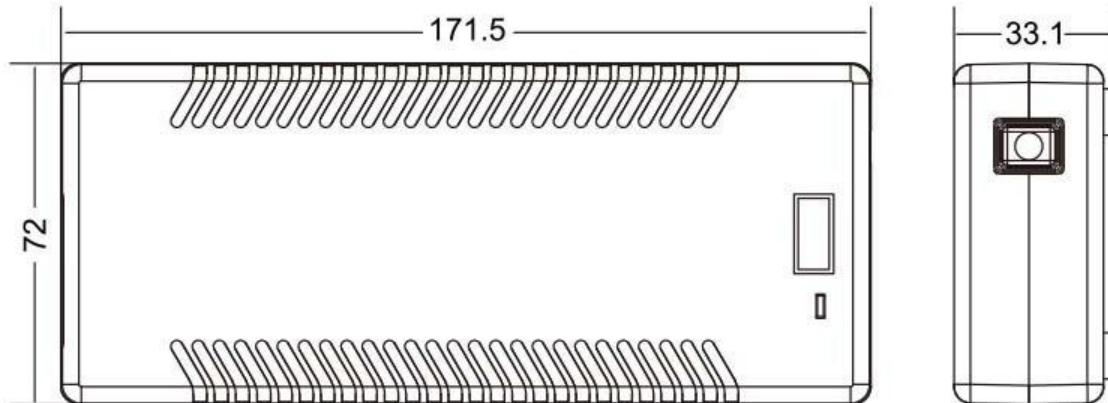
**实物图连接如下:**

The material is connected in the picture as follows:





## 8、外观尺寸 Exterior dimension



## 9、铭牌 Label

