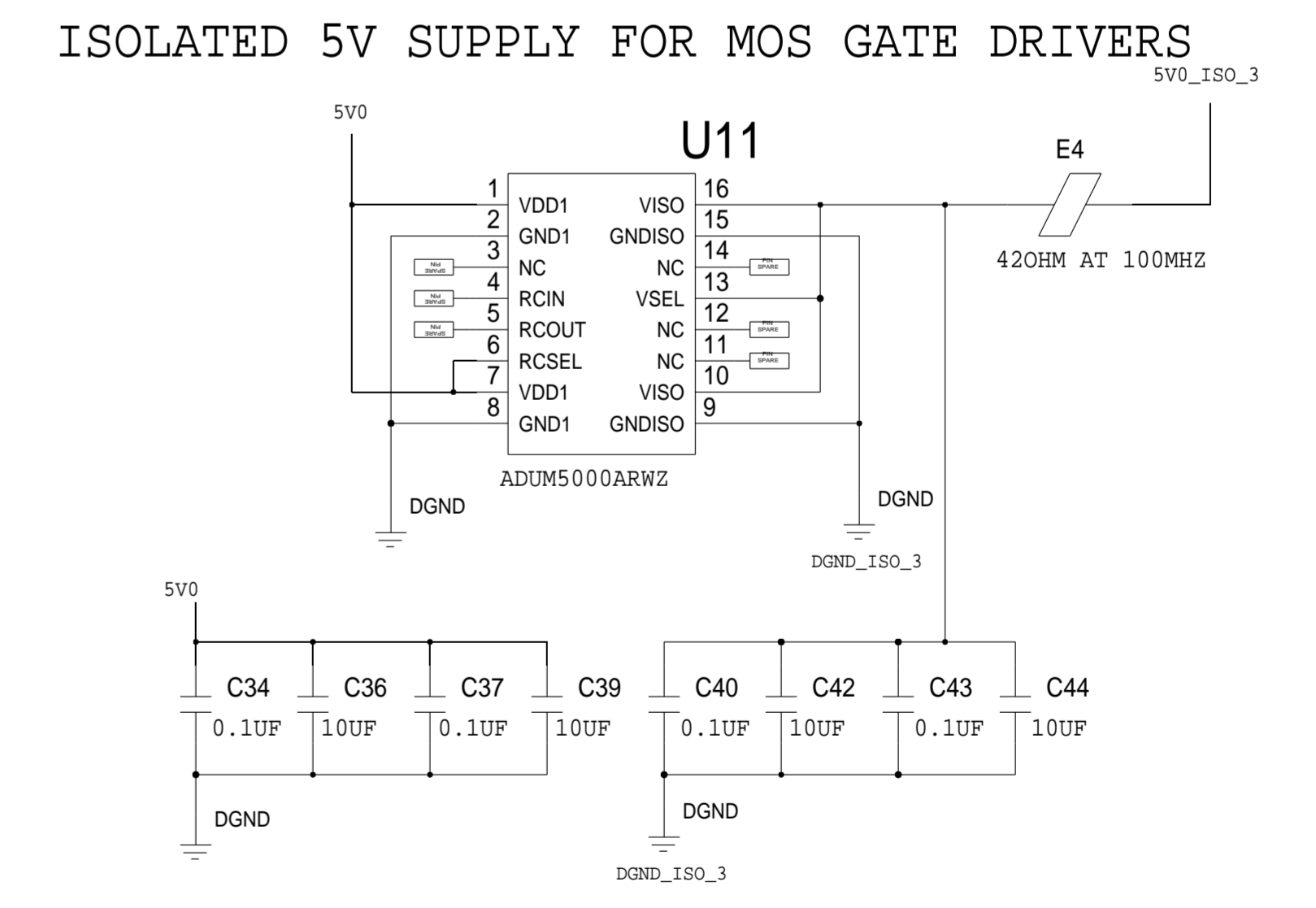
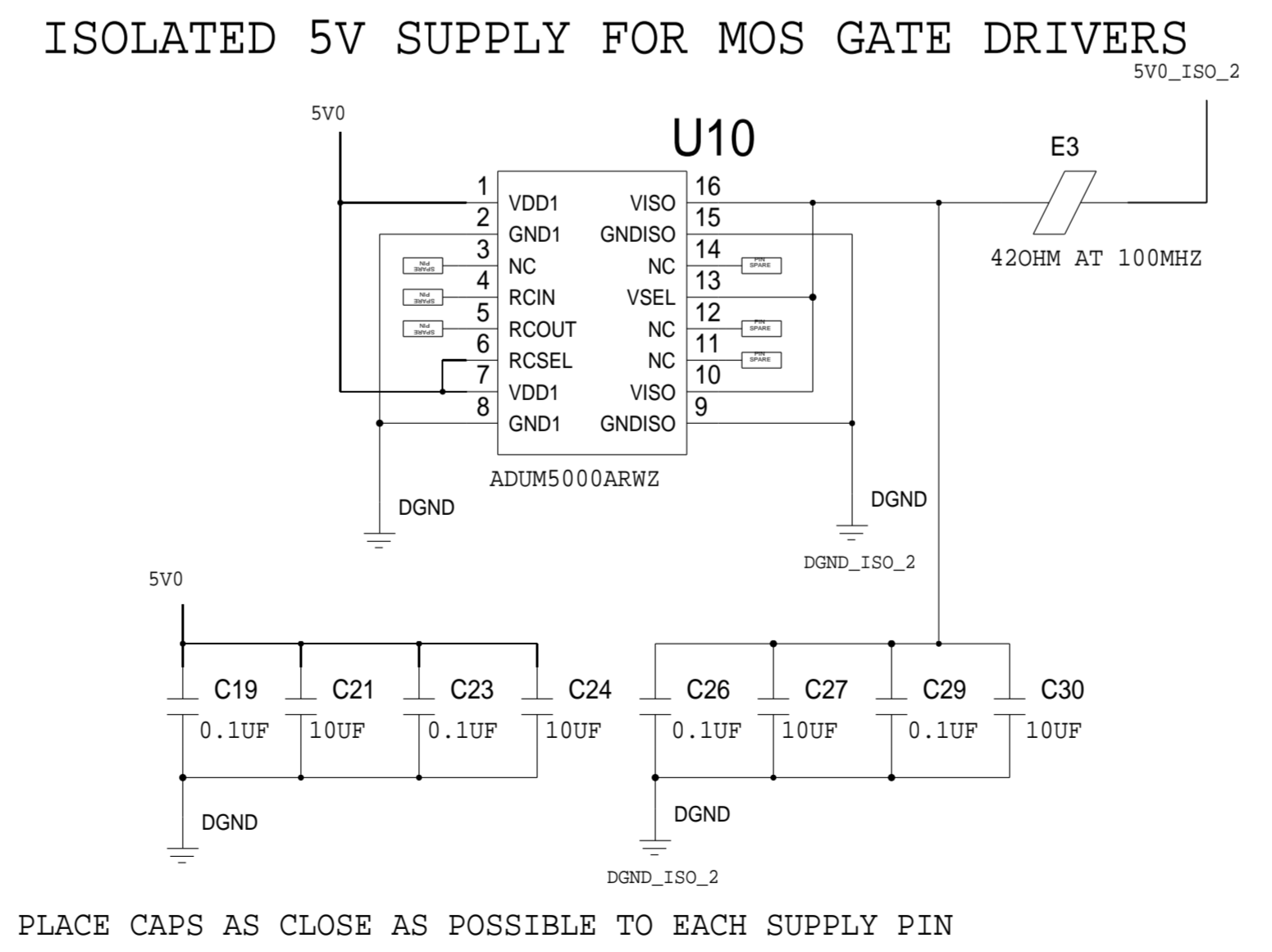
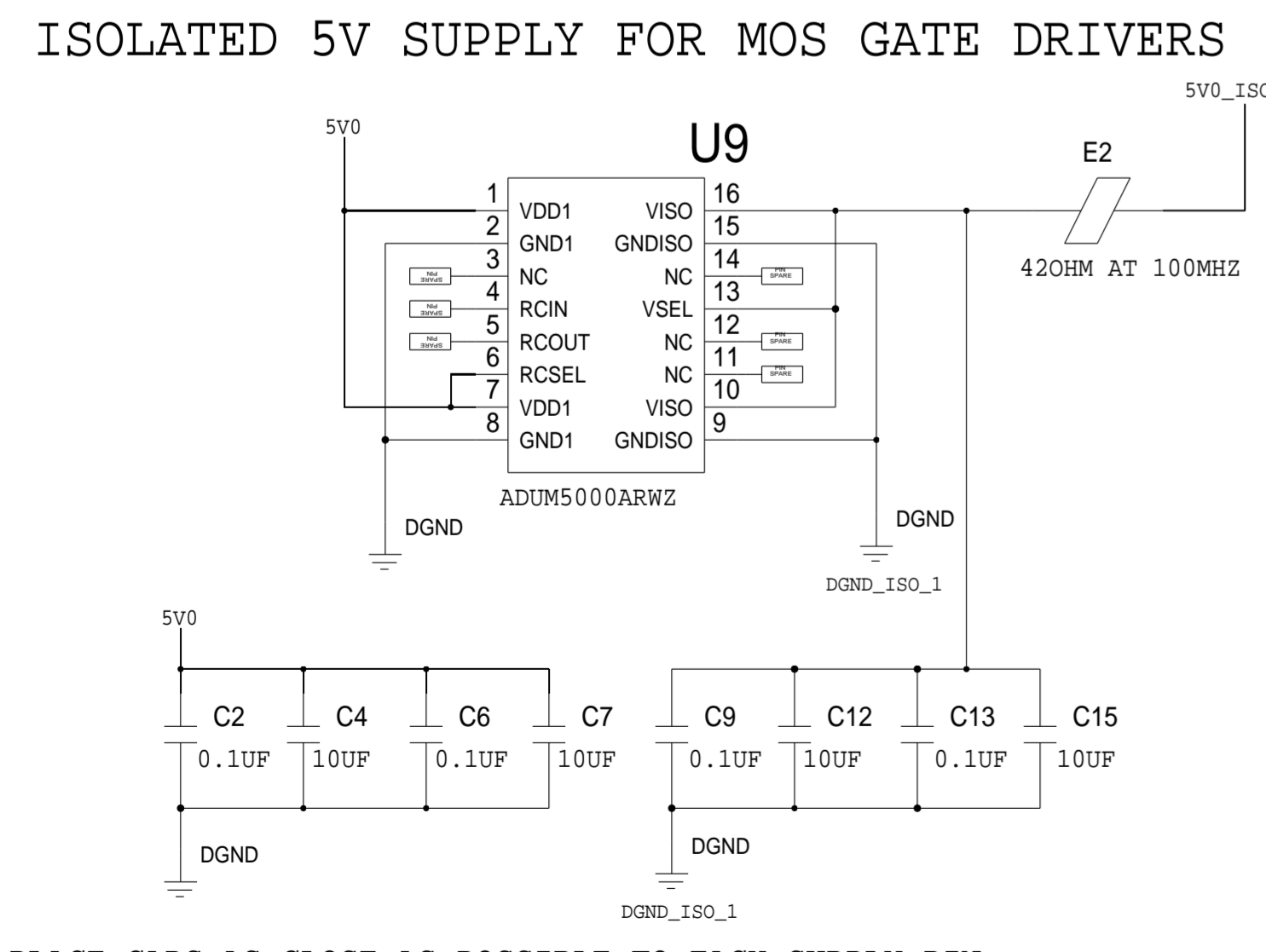
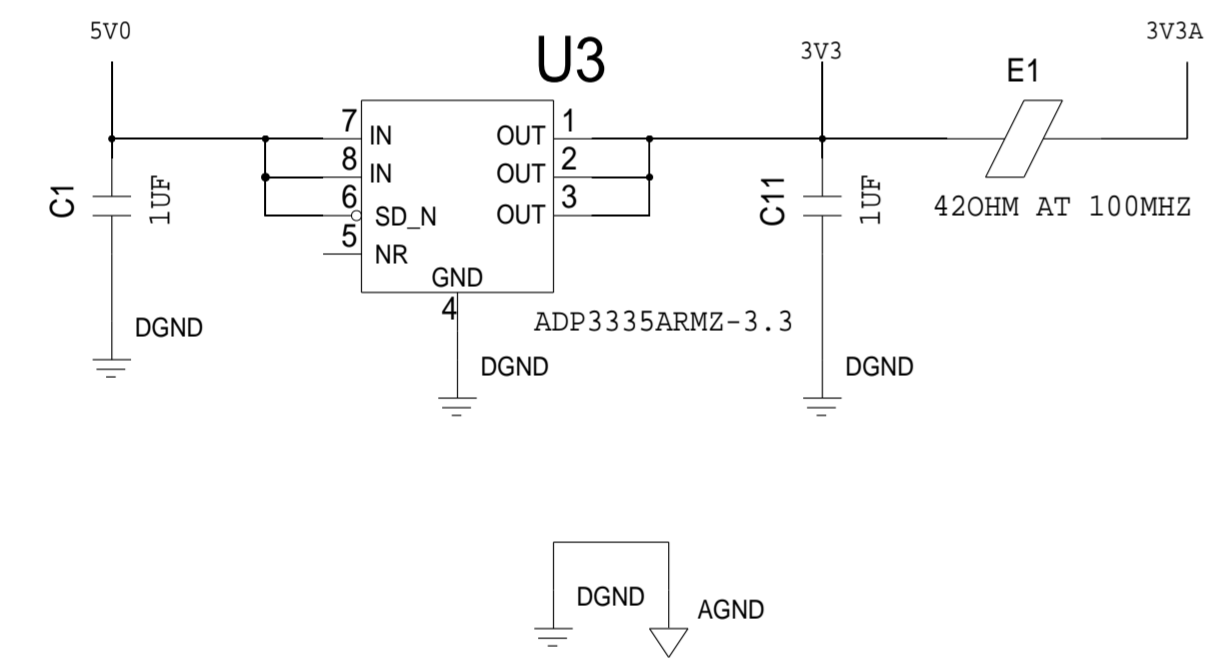
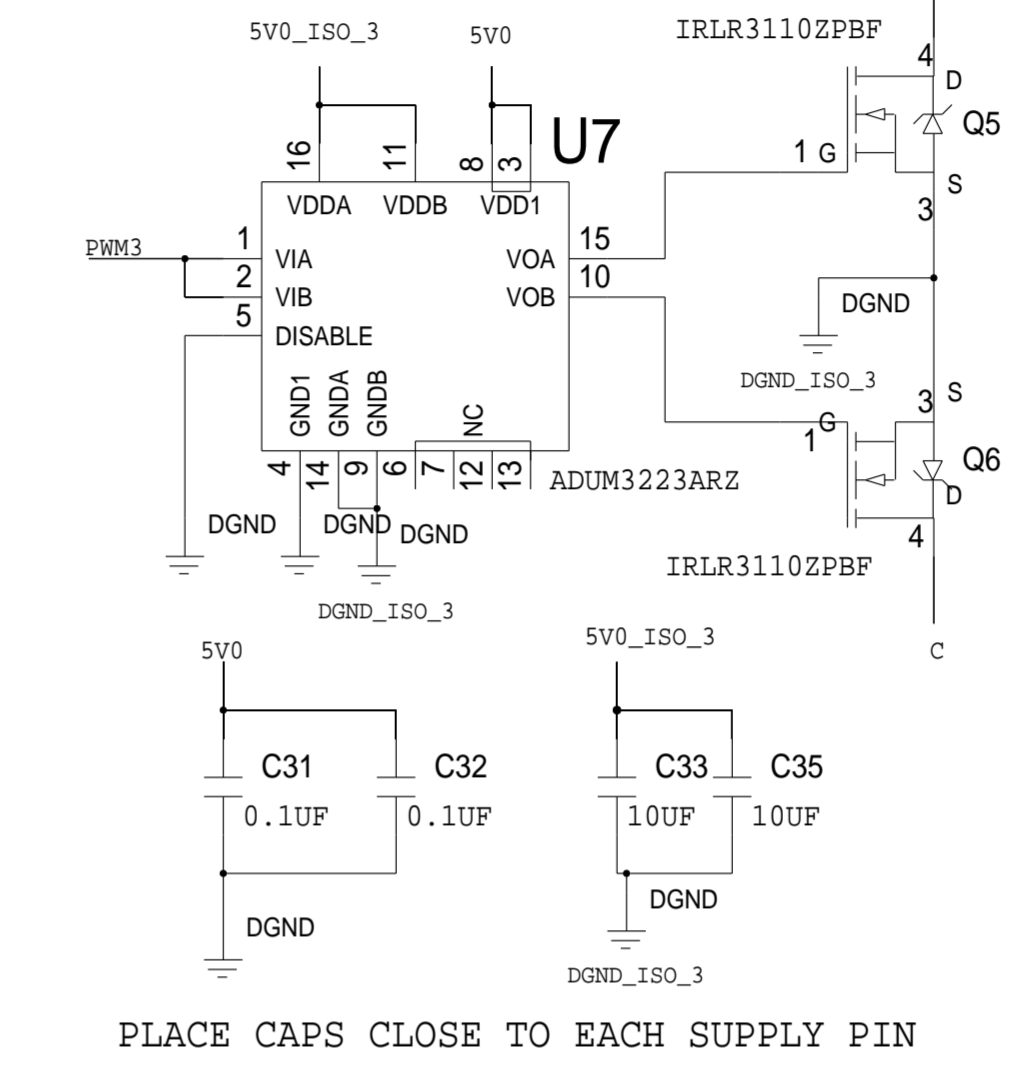
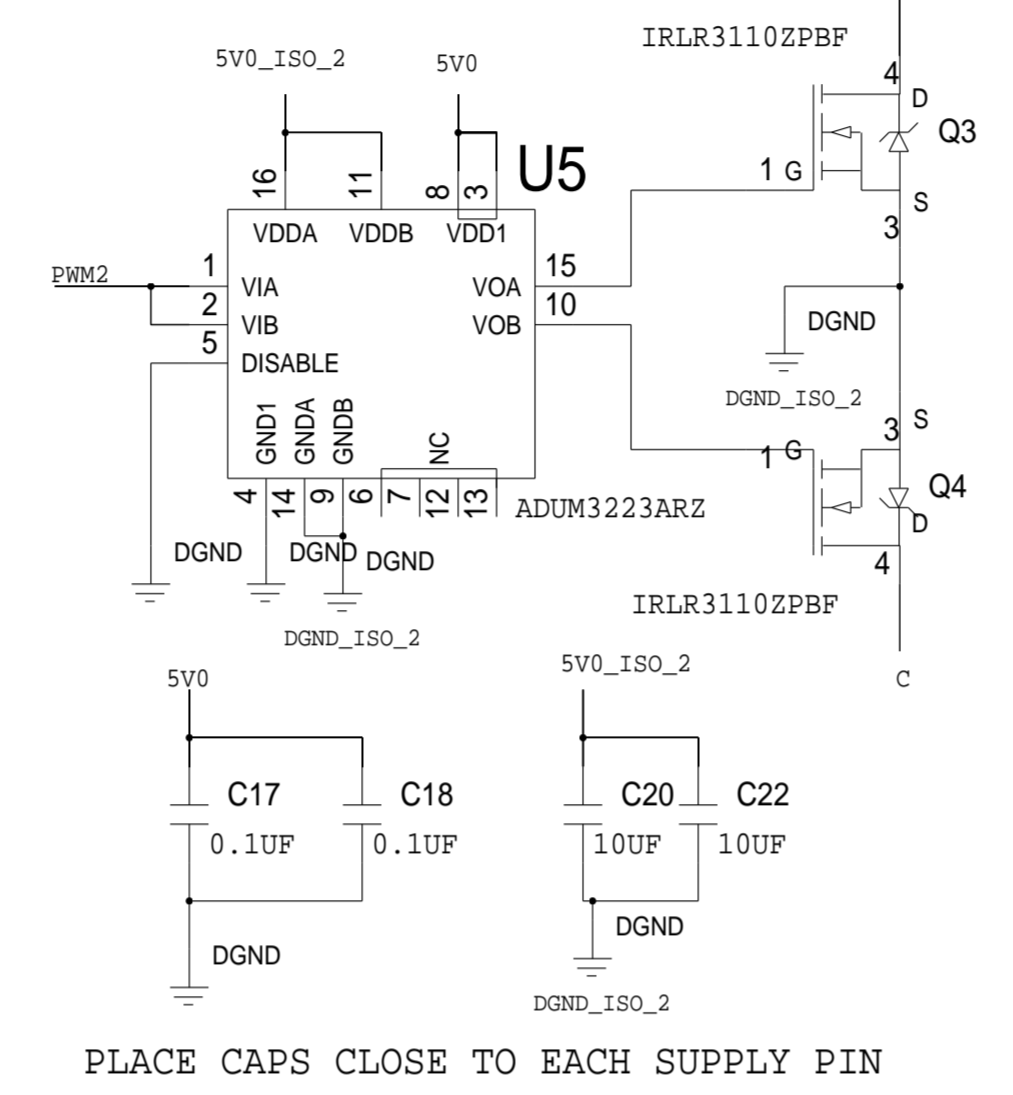
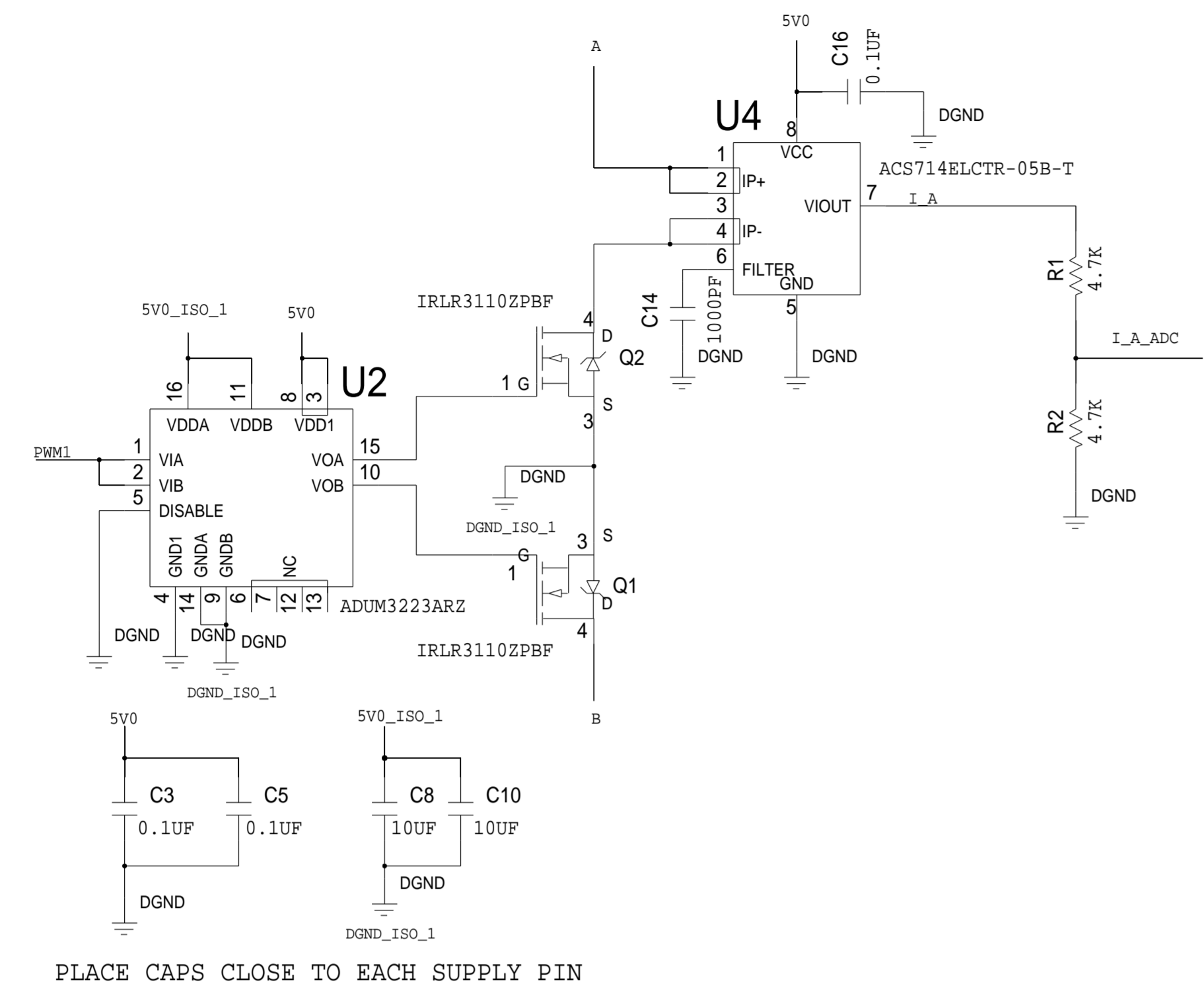




REVISIONS			
REV	DESCRIPTION	DATE	APPROVED

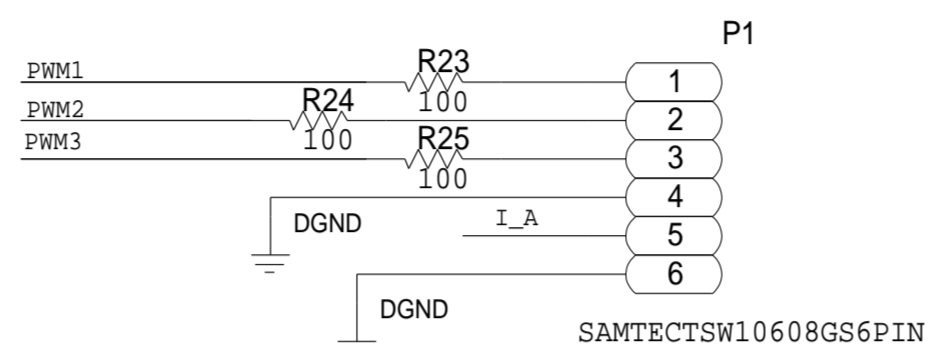
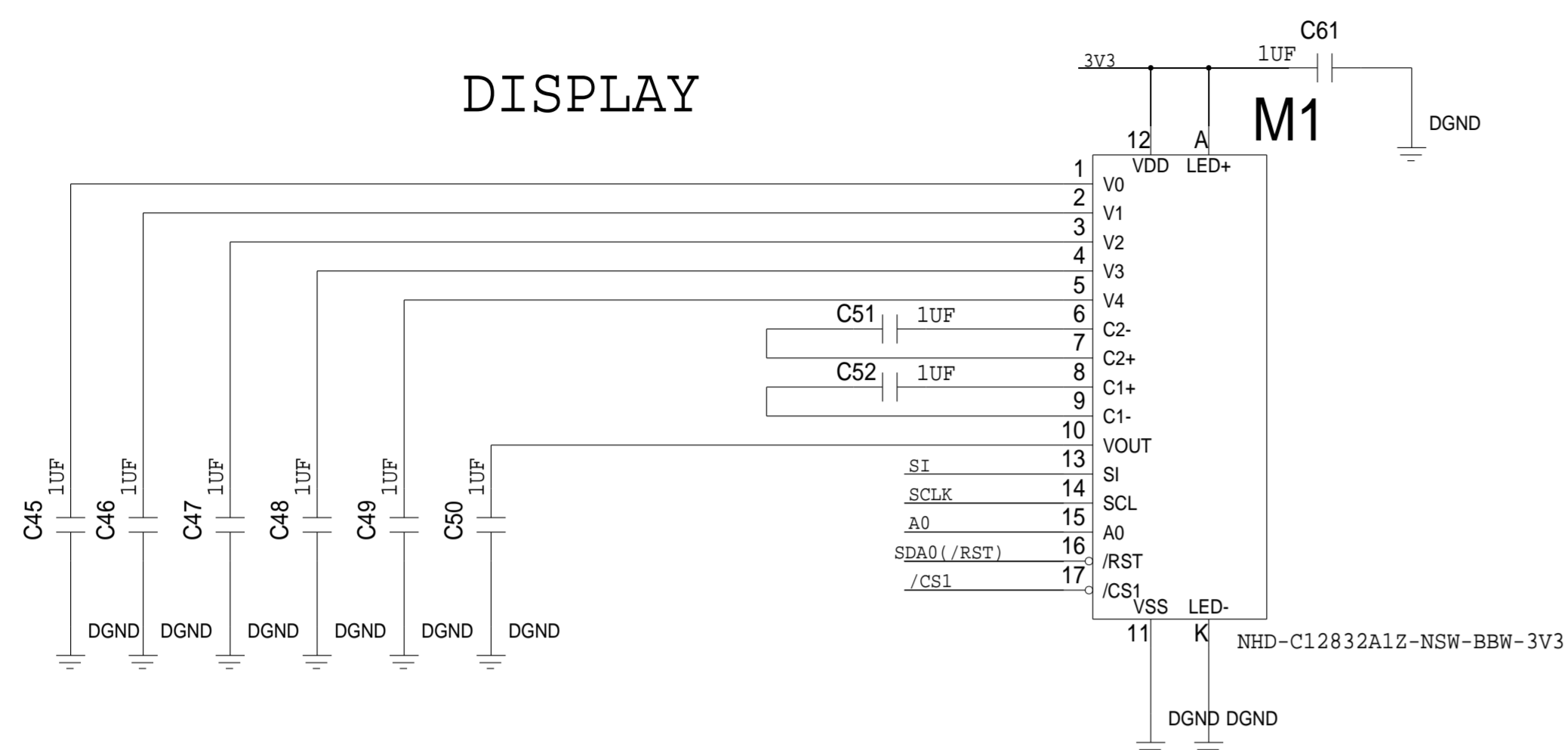


	<b>SCHEMATIC</b>		
	HW TYPE : Customer Evaluation		
	Product(s) : ADUC7023		
	: N/A		
DESIGN VIEW <DESIGN_VIEW>	DRAWING NO. 02_038780	REV B	
PTD ENGINEER A COZMA	SIZE D	SCALE 1:1	SHEET 2 OF 3

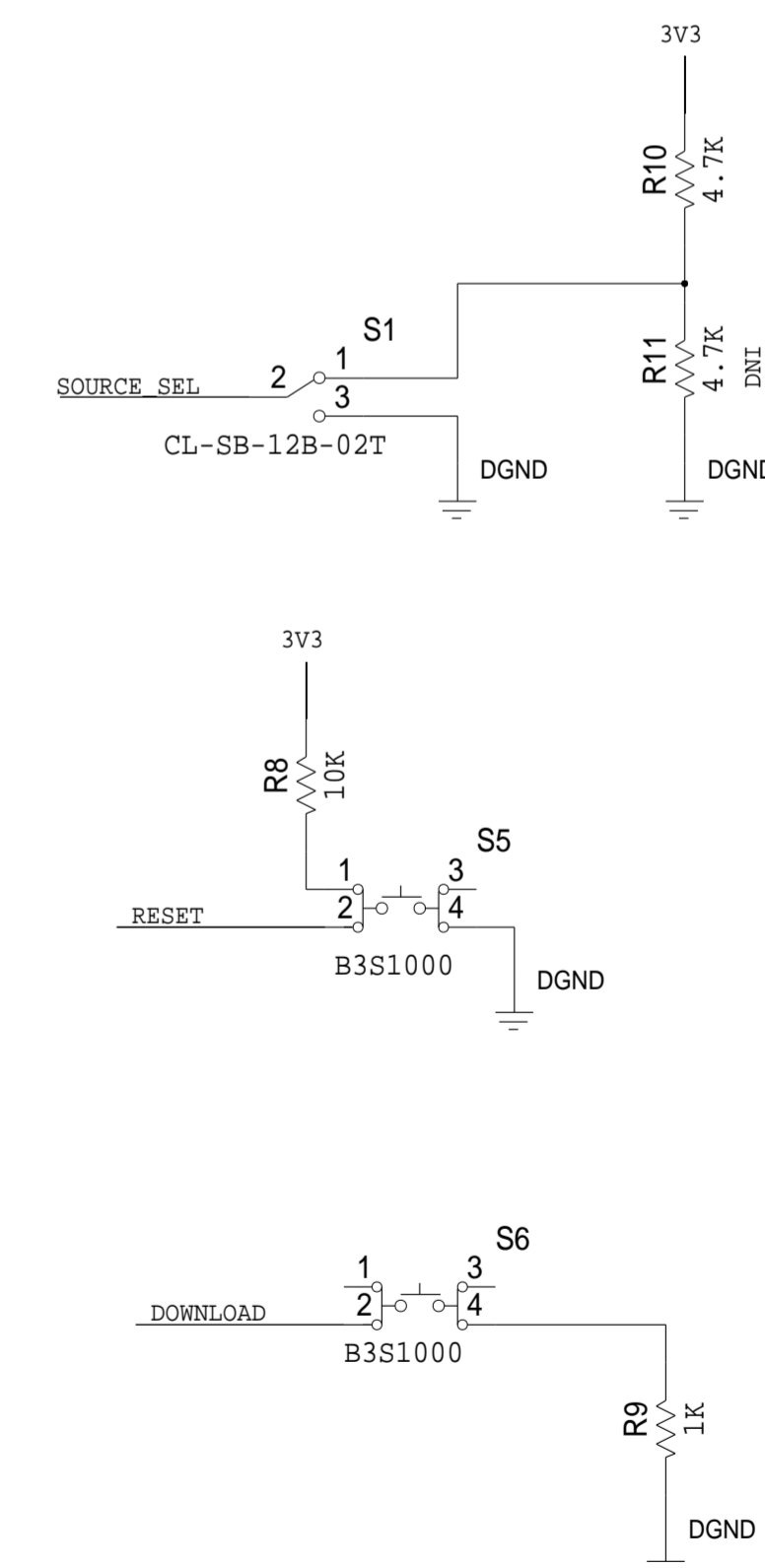
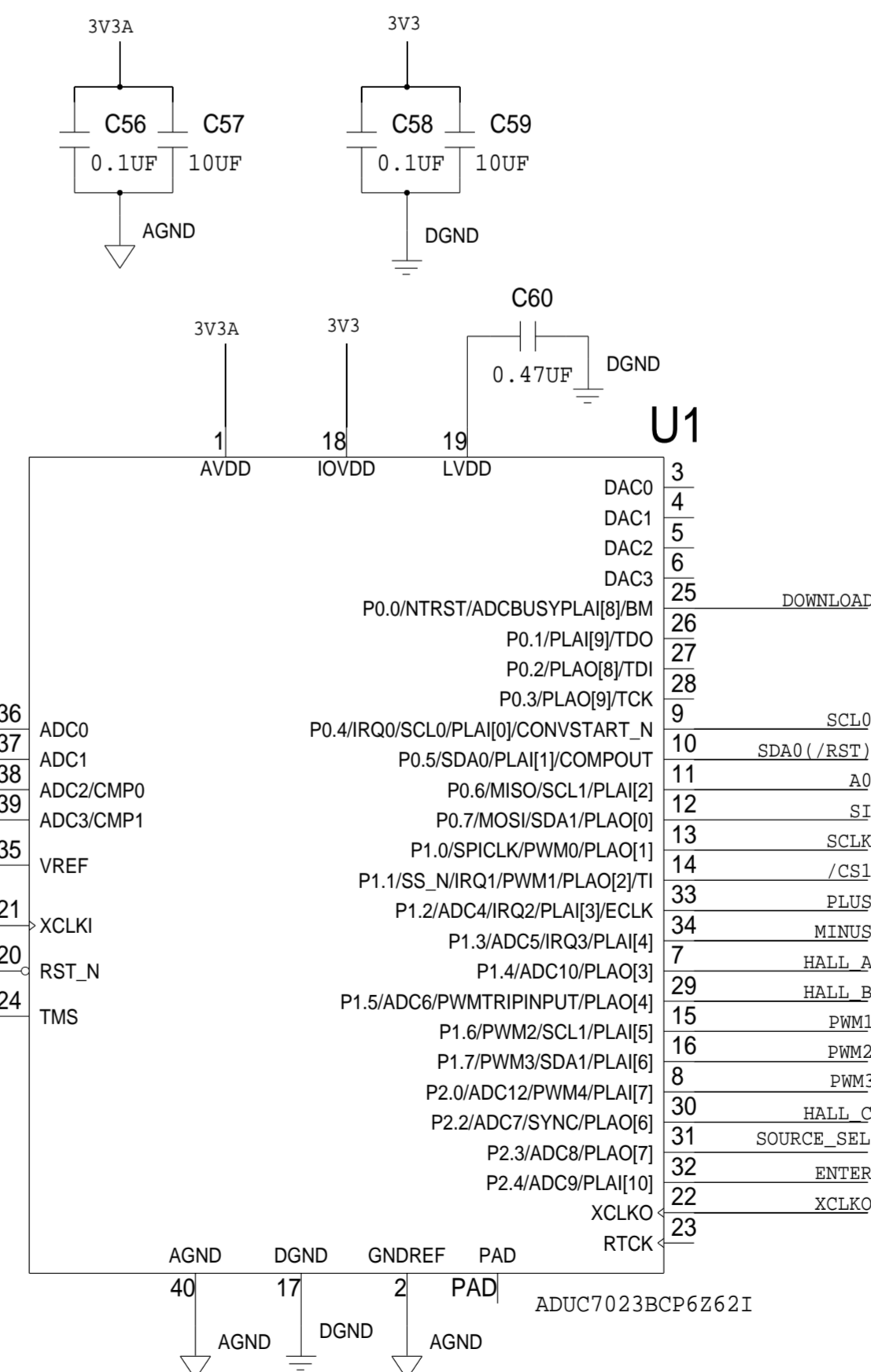
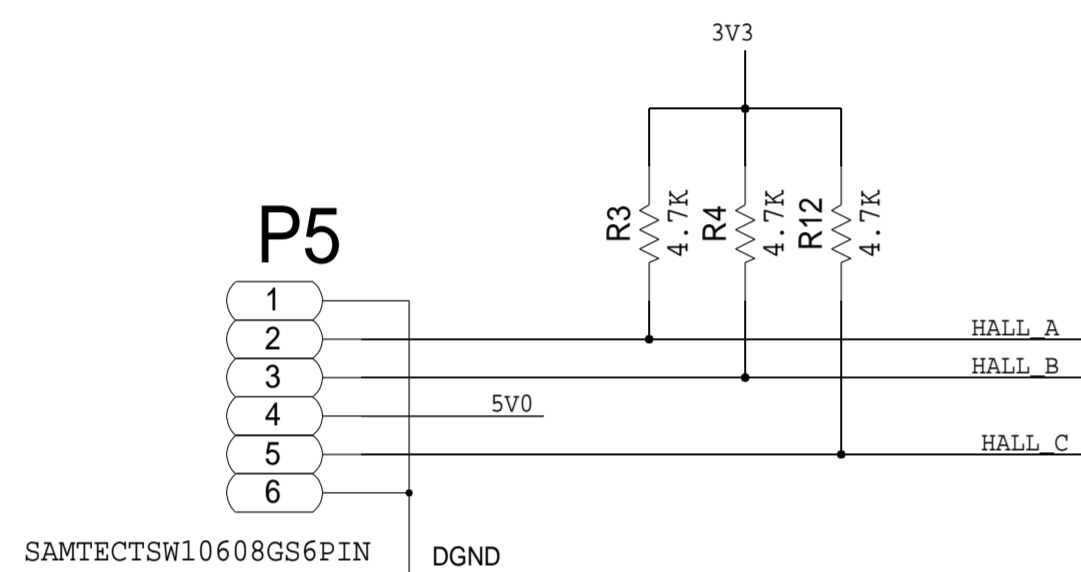
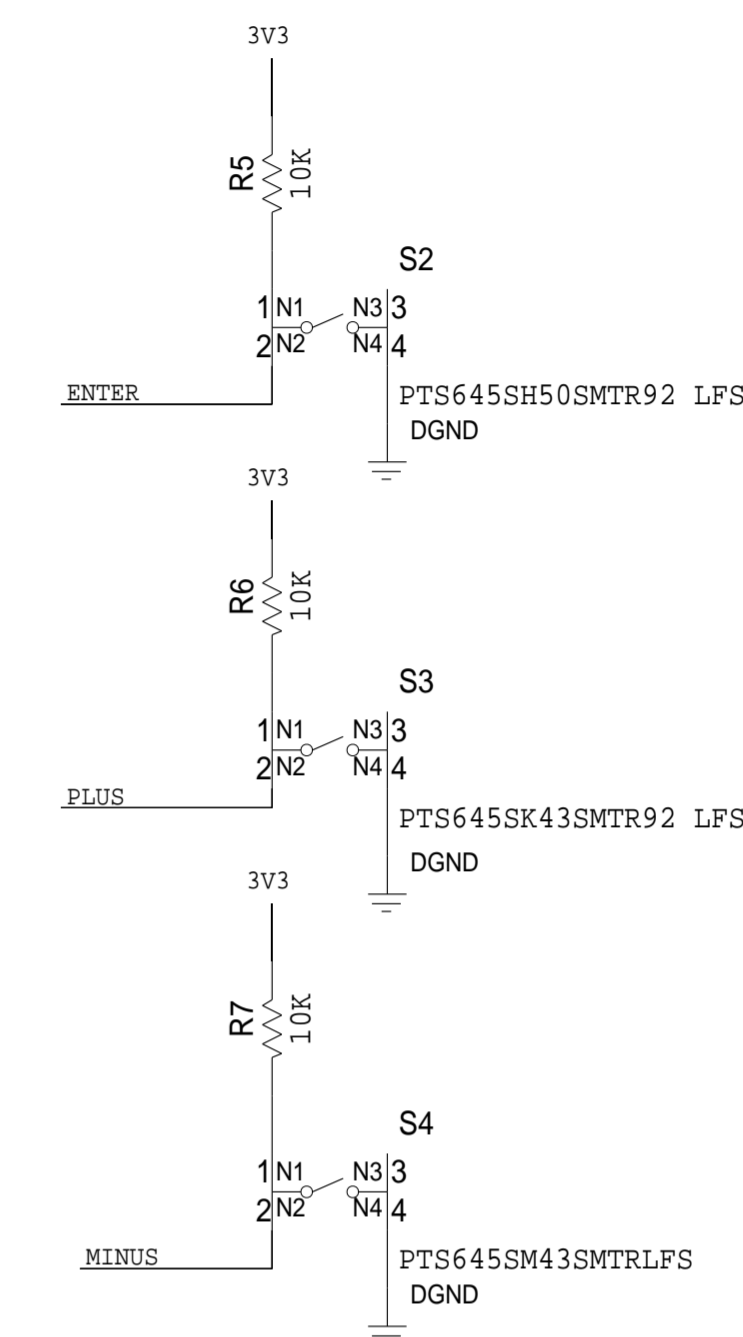
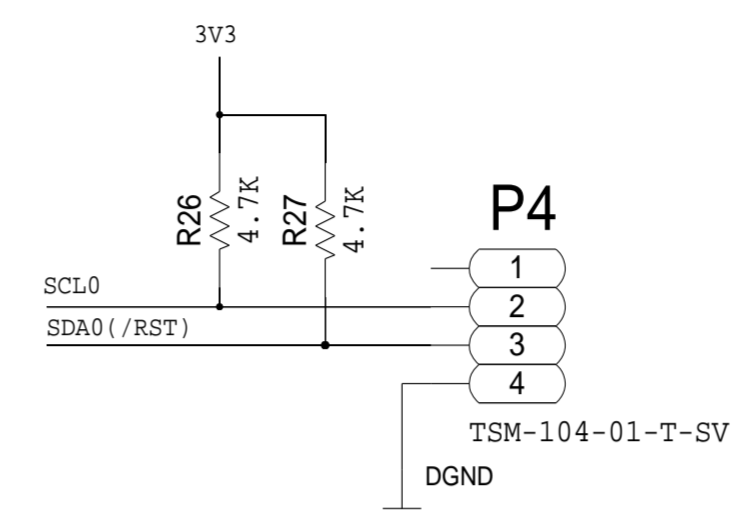
# DISCOVERY CONNECTOR

REVISIONS			
REV	DESCRIPTION	DATE	APPROVED

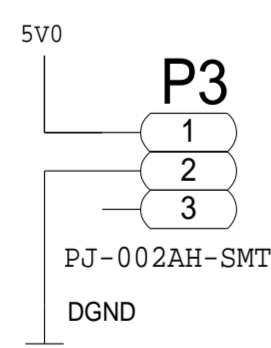
## DISPLAY



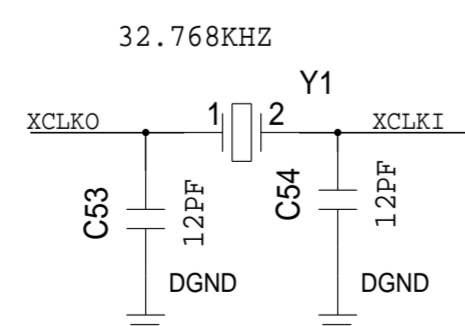
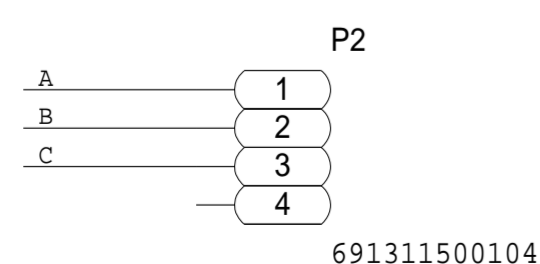
## PROGRAMMING HEADER



## 5V POWER CONNECTOR



## MOTOR CONNECTOR



SCHEMATIC			
ANALOG DEVICES		HW TYPE : Customer Evaluation Product(s) : ADUC7023 : N/A	
DESIGN VIEW <DESIGN_VIEW>	DRAWING NO. 02_038780	REV B	
PTD ENGINEER A COZMA	SIZE D	SCALE 1:1	SHEET 3 OF 3