



S77 SOLID CORE

High Accuracy, Measurement Canada Approved



The Solid-Core S77 High Accuracy Current Transformers are designed to convert an AC operating current into a low voltage AC millivolt signal for use with microprocessor-based circuits. These compact and light-weight solid-core current transformers are designed for installation on branch circuits for meter installations that require exceptionally accurate signal transformation. The S77 current transformer has been approved by Measurement Canada to be used in metering applications for installations used for billing purposes. CTs come standard unterminated stripped and tinned lead wires for easy connection to any of the Single or 3 Phase ACI power meter. CT models listed here are compatible with the ACI KW350-P1-D-S-SC, KW320-P1-D-W-SC-XX, KW320-P1-D-W-SC-PC, KW1850-P1-D-W, and KW1850-P1-D-S Power Meters where typical power measurements are required. For best accuracy, CTs should be selected based upon the expected maximum and minimum currents for the targeted application. The acceptable Measurement

Canada range is referenced in the ordering grid table. Please contact ACI for more information regarding Solid-Core S77 High Accuracy Current Transformers.

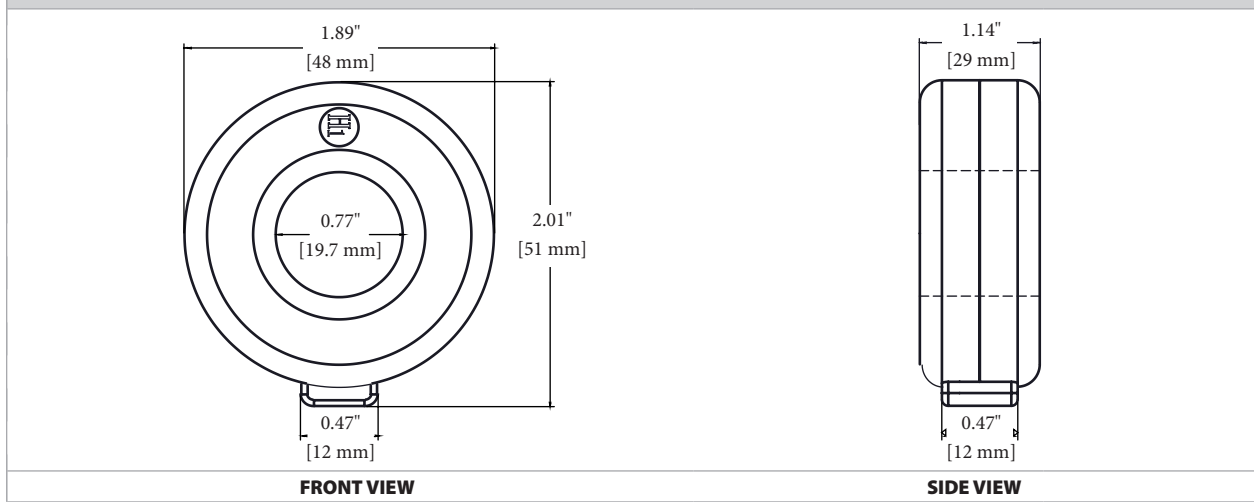
The Solid Core S77 High Accuracy mV Output Current Transformers are covered by ACI's Five (5) Year Limited Warranty. The warranty can be found in the front of ACI's Sensors & Transmitters catalog, as well as on ACI's web site, www.workaci.com.

PRODUCT SPECIFICATIONS

Monitored Current Type:	AC Current
Maximum Working Voltage:	600 VAC, Category III
Core Style:	Solid-Core
Rated Output:	333mV @ 5/20/50/100 Amps (See Ordering Grid)
Operating Frequency Range:	50/60 Hz
Withstand Voltage:	3,000VAC
Accuracy:	0.15% Class IEC 60044-1
Burden:	B0.005
Impulse Insulation (BIL):	10kV
Insulation Resistance:	50 MΩ
Operating Temperature Range:	5 to 140°F (-15 to 60°C)
Storage Temperature Range:	-40 to 185°F (-40 to 85°C)
Operating/Storage Humidity Range:	5 to 95%, non-condensing
Maximum Elevation:	9,842 ft (3 Kilometers)
Case Material/Flammability Rating:	Plastic Encapsulated/UL 94V-0
Wiring Connections:	Stripped and Tinned Lead Wires
Lead Wire Colors:	White: Positive (+) Black: Negative (-)
Wire Size	18 AWG (0.75 mm ²), UL 1015
Lead Length:	1' (0.30m)
Agency Approvals:	UL2808, 61010-2, CSA 22.2, CE and RoHS Compliant
Product Weight:	0.2lbs (0.09kg)
Product Dimensions (D x W)	2.00" (51.00 mm) x 0.75" (19.00 mm)



DIMENSIONAL DRAWING



STANDARD ORDERING

Model #	Item #	Rated Current	Window Size	Output Signal (At Rated Current)
AcuCT-S77-200-333	148210	200A	0.77" (19.70 mm)	333.mV @ 200A
AcuCT-S77-100-333	148212	100A	0.77" (19.70 mm)	333 mV @ 100A