

4

3

2

1

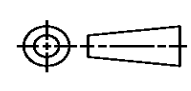
THIS DRAWING IS UNPUBLISHED. RELEASED FOR PUBLICATION
 © COPYRIGHT ALL RIGHTS RESERVED.

LOC	DIST	REVISIONS			
P	LTR	DESCRIPTION	DATE	DWN	APVD
	A1	ECR-14-003115	03MAR2014	GK	HMR

REPLACED BY OCEAN STYLE APPLICATOR PART NUMBER 2151345-6

FOR REPLACEMENT PARTS FOR APPLICATOR 1911022 REFER TO ADDITIONAL PAGE(S). SPARE PARTS KIT (IF LISTED) WILL REMAIN AVAILABLE.

THE REPLACEMENT OCEAN STYLE APPLICATOR HAS THE SAME TERMINATOR/PRESS INTERFACE AS APPLICATOR 1911022

THIS DRAWING IS A CONTROLLED DOCUMENT.		DWN	GOPALAKRISHNA HV		
DIMENSIONS:		CHK	RAGHAVENDRA		
		APVD	RAGHAVENDRA		
TOLERANCES UNLESS OTHERWISE SPECIFIED:		PRODUCT SPEC	NAME		
0 PLC	±	APPLICATION SPEC	SIDE FEED SYSTEM III APPLICATOR		
1 PLC	±		SIZE	CAGE CODE	DRAWING NO
2 PLC	±		A3		©- 1911022
3 PLC	±		RESTRICTED TO		
4 PLC	±				
ANGLES	±				
MATERIAL	FINISH	WEIGHT			
		CUSTOMER DRAWING	SCALE	SHEET 1 OF 2	REV A1



PART NUMBER	REV	DESCRIPTION	PROGRAMMED MEMORY CHIP
1911022-1	A	CUTS CARRIER	8-1911022-1
1911022-6	A	CONTINUOUS CARRIER	8-1911022-6
7-1911022-1	A	-1 AND SPARE PARTS	9-1911022-1
7-1911022-6	A	-6 AND SPARE PARTS	9-1911022-6
7-1911022-7	A	SPARE PARTS KIT	-

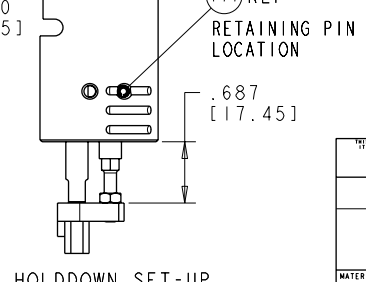
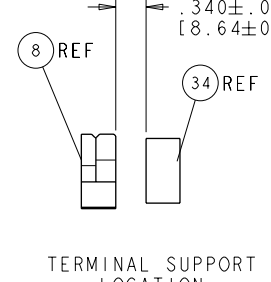
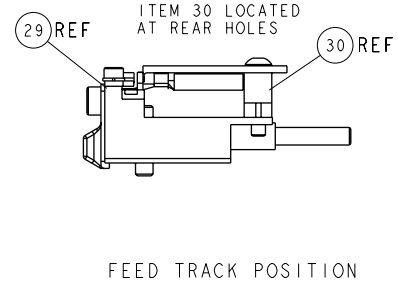
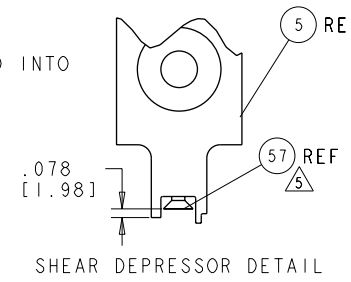
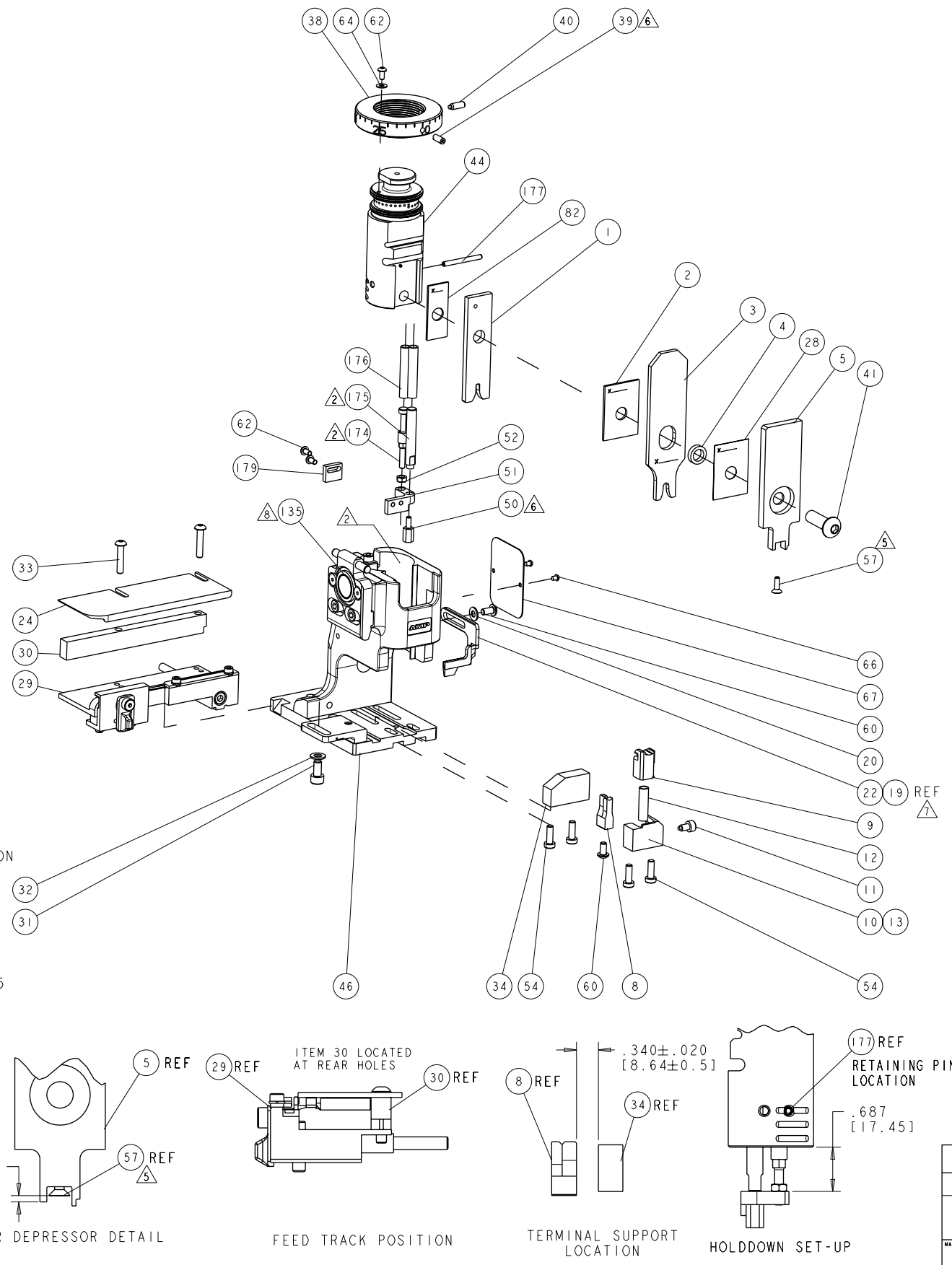
APPLICATOR DATA		
CRIMP	SIZE	TYPE
WIRE	2.54mm [.100]	F
INSUL	4.32mm [.170]	O
APPL INSTRUCTIONS 408-10135		

TERMINAL DATA: TE TERMINAL TYCO ELECTRONICS CRIMP SPEC			
TERMINAL NAME: 1.5 MM CTC PIN/SKT ASSY FOR SGL WIRE SEAL			
WIRE STRIP LENGTH	INSULATION DIAMETER RANGE		
4.7-5.3 mm [.185-.208 IN]	2.20-3.00mm [.086-.118 IN]		
TERMINAL APPL SPEC	114-18020 (A)	-	-
	114-18040 (B)	-	-

TERMINALS APPLIED			
TE TERMINAL	TE TERMINAL	TE SEAL	TE SEAL
1703014-1 (B)	1-929990-0 (B)	828905	-
1703014-4 (B)	929975-1 (A)	-	828921
929990-1 (B)	929975-4 (A)	-	-
929990-2 (B)	929975-7 (A)	-	-
929990-3 (B)	929975-8 (A)	-	-
929990-4 (B)	929968-1 (A)	-	-
929990-5 (B)	1-1719188-0 (B)	-	-
929990-6 (B)	-	-	-

WIRE SIZE	CRIMP HEIGHT
2.5mm ²	1.97±.05 [.078±.002]
2mm ²	1.82±.05 [.072±.002]
1.5mm ²	1.67±.05 [.066±.002]

- 1 RECOMMENDED SPARE PARTS.
- 2 GREASE BEARING SURFACES LIGHTLY.
- 3 LUBRICATE DAILY PER THE APPLICATOR INSTRUCTION SHEET SUPPLIED WITH THE APPLICATOR.
- 4 THIS APPLICATOR APPLIES TERMINAL WITH A SEAL. WIRE INSULATION DIA IS DEPENDENT ON SEAL BEING APPLIED. SEE APPL. SPEC. FOR DETAILS.
- 5 APPLY TORQ-SEAL IN ALLEN SOCKET TO FILL HOLE AFTER FLAT HD HAS BEEN ADJUSTED TO CORRECT HEIGHT AT QUALIFICATION. APPLY P/N 1-23419-5 LOCTITE(R) TO THREADS.
- 6 APPLY P/N 1-23419-5 LOCTITE(R) TO THREADS.
- 7 ITEM 19 - OPTIONAL STRIPPER FOR BENCH MACHINE APPLICATION.
- 8 APPLICATOR SPECIFIC DATA TO BE ENTERED INTO BLANK MEMORY CHIP AT ASSEMBLY.



REV	DATE	BY	CHKD	APPD
A	9 JAN 2008	GH	GB	

QTY	REV	DESCRIPTION	ITEM NO		
-	1	1976053-2	LOCATER BLOCK, TERMINAL	179	
-	1	1-993111-6	PIN, SLOTTED SPRING 3.0 X 30.0	177	
-	2	3-22280-7	SPRING, COMPRESSION	176	
-	1	1752353-1	GUIDE PIN, HOLDDOWN	175	
-	1	1901680-1	GUIDE PIN, HOLDDOWN	174	
-	REF	REF REF REF	SEE TABLE	MEMORY CHIP, PROGRAMMED	135
-	1	1-1976540-0	SPACER, CRIMPER	82	
-	1	1633565-1	DOCUMENTATION PACKAGE	71	
-	1	1901048-1	TAG, IDENTIFICATION	67	
-	2	21017-1	SCREW, DRIVE	66	
-	1	18028-1	WASHER, FLAT, REG M3	64	
-	3	3	1655785-9	SCR, BTN SKT HD CAP (M3 X 6)	62
-	2	2	1655785-1	SCR, BTN SKT HD CAP (M4 X 8)	60
-	1	1	985575-3	SCR, FLT SKT HD CAP M3 X 10.0	57
-	4	4	1655783-3	SCR, CAP, SOC HD, LOW HEAD, M4 X 12	54
-	1	1	1-18030-0	NUT, HEX, REG M3.5	52
-	1	1	1901681-8	HOLDDOWN, TERMINAL	51
-	1	1	2-1752354-1	STANDOFF, HOLD-DOWN	50
-	1	1	1752300-1	SF SYSTEM III APPLICATOR	46
-	1	1	1976049-1	RAM, STEPPED	44
-	1	1	2-1655785-3	SCR, BTN SKT HD CAP (M8 X 25)	41
-	1	1	993002-4	SCREW, SET, SFT TIP	40
-	1	1	1962043-1	PLUNGER, BALL, METRIC	39
-	1	1	1752309-3	RING, INSULATION CRIMP	38
-	1	1	1-1752356-7	SUPPORT, TERMINAL	34
-	2	2	3-1655785-3	SCR, BTN SKT HD CAP (M4 X 20)	33
-	1	1	18028-3	WASHER, FLAT, REG M5	32
-	1	1	5-1655316-3	SCR, SKT HD CAP, M5 X 10.0	31
-	1	1	1320908-1	SPACER, STRIP GUIDE	30
-	1	1	1901087-1	ASSEMBLY, STRIP GUIDE	29
-	1	1	455888-2	SPACER, CRIMPER	28
-	1	1	1320928-3	PLATE, STRIP GUIDE	24
-	1	1	1976045-1	STRIPPER	22
-	1	1	18028-2	WASHER, FLAT, REG M4	20
-	REF	REF REF REF	1752311-1	STRIPPER	19
-	1	1	1338684-2	SHEAR HOLDER, FRONT	13
-	1	1	3-22280-3	SPRING, COMPRESSION	12
-	1	1	356885-5	STOP, SHEAR	11
-	1	1	1-1320921-0	SHEAR HOLDER, FRONT, CUT	10
-	1	1	318707-1	FLOATING SHEAR, FRONT	9
-	1	2	2-1633133-2	ANVIL, COMBINATION .100	8
-	1	1	1338680-1	DEPRESSOR, SHEAR	5
-	1	1	238011-2	BLOCK, CRIMPER SPACER	4
-	1	2	904741-3	CRIMPER, INSUL O PREMIUM	3
-	1	1	1-455888-2	SPACER, CRIMPER	2
-	1	2	1976050-4	CRIMPER, WIRE F	1

DIMENSIONS:	TOLERANCES UNLESS OTHERWISE SPECIFIED:	OWN	DATE
INCHES(mm)	0 PLC ±.010	HOEFNER	31OCT2007
	1 PLC ±.005	CHK	01NOV2007
	2 PLC ±.002	APPD	01NOV2007
	3 PLC ±.001	NAME	
	4 PLC ±.0005	PRODUCT SPEC	
	ANGLES	APPLICATION SPEC	
		SEE TABLE	
		WEIGHT	
		CUSTOMER DRAWING	