

4

3

2

1

THIS DRAWING IS UNPUBLISHED.

RELEASED FOR PUBLICATION

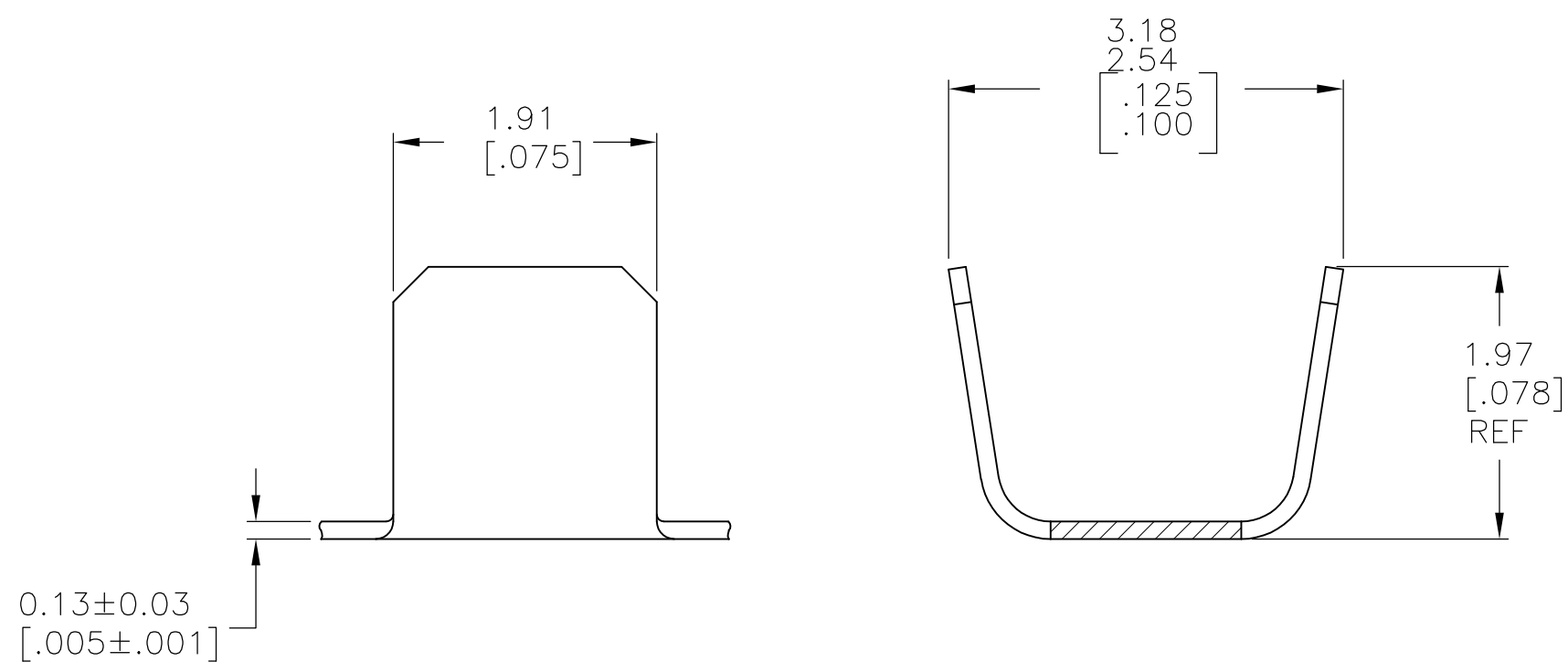
- . - .

© COPYRIGHT - BY TYCO ELECTRONICS CORPORATION.

ALL RIGHTS RESERVED.

LOC	DIST	REVISIONS			
P	LTR	DESCRIPTION	DATE	DWN	APVD
AF	50	D1	ECR-07-010352(REDRAWN IN AUTOCAD)	28FEB07	HMR GP

- 1 CONTINUOUS STRIP ON REELS WITH TERMINALS LOCATED ON 11.58 [.456] CENTERS.
- 2 WIRE RANGE: 20 AWG
- 3 DIMENSIONS IN BRACKETS ARE IN INCHES



63318-1
PART NO

THIS DRAWING IS A CONTROLLED DOCUMENT.		DWN RAGHAVENDRA 28FEB07	Tyco Electronics Corporation Harrisburg, Pa 17105-3608			
DIMENSIONS: mm [INCHES]		CHK G.D.PORTA 28FEB07				
TOLERANCES UNLESS OTHERWISE SPECIFIED:		APVD G.D.PORTA 28FEB07	NAME			
		PRODUCT SPEC	SPLICE			
0 PLC ± - 1 PLC ± - 2 PLC ± - 3 PLC ± 0.25 [.010] 4 PLC ± - ANGLES ± -		APPLICATION SPEC	RESTRICTED TO			
MATERIAL STAINLESS STEEL		FINISH NONE	WEIGHT -	SIZE A3	CAGE CODE 00779	DRAWING NO G-63318
CUSTOMER DRAWING			SCALE 20:1	SHEET 1 OF 1	REV D1	