

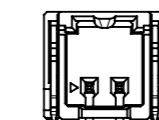
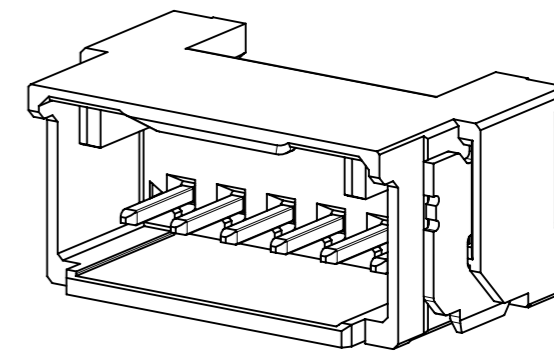
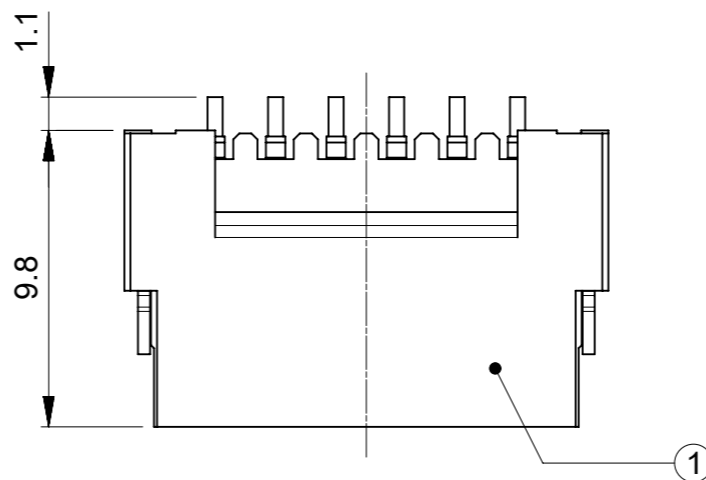
NOTES

- ① 材料及び仕上げ(めっき仕様) : TABLE 1 参照  
MATERIAL AND FINISHES : SEE TABLE 1
- 2. 製品仕様書 : 2059790000-PS 000  
PRODUCT SPECIFICATION:2059790000-PS 000
- 3. 梱包形態 : SHEET 4 参照  
PACKAGING INFORMATION : SEE SHEET 4
- ④ 嵌合相手 : 205979(ISLタイプ),212724(TPAタイプ) シリーズ  
MATES WITH:205979(ISL TYPE),212724(TPA TYPE) SERIES
- 5. アプリケーション仕様書(コネクタ取扱い説明書) :  
2059790000-AS 000  
APPLICATION SPECIFICATION(CONNECTOR MANUAL):  
2059790000-AS 000
- 6. 端子テール部及びネイルの平坦度:0.1mm以下。  
TAIL AND NAIL COPLANARITY TO BE 0.1mm MAX
- ⑦ 極数/2 = 偶数に適応  
APPLY FOR CIRCUIT SIZE / 2 =EVEN
- 8. 端子テール部及びネイルに錫ビスマスめっきを使用している為、  
外観に摺動痕が付く場合があります。  
THE WOUND OF FRICTION MIGHT ADHERE TO EXTERNALS  
BECAUSE THE TIN BISMUTH PLATING IS USED FOR THE TAIL AND NAIL.
- 9. 本製品のプラスチック部に黒点・白点等が確認される場合や  
色合いが異なる場合がありますが、製品性能に影響はありません。  
THERE IS NO INFLUENCE IN THE PRODUCT  
PERFORMANCE THOUGH THE BLACK AND WHITE SPOT ETC.  
MIGHT BE CONFIRMED TO THE PLASTIC PART OF  
THIS PRODUCT AND THE SHADE MIGHT BE DIFFERENT.
- 10. この製品は205972のGlow Wire適合バージョンです。  
THIS PRODUCT IS A GLOW WIRE COMPLIANT VERSION OF 205972.
- ⑪ ISLタイプを嵌合する場合、ヘッダーコネクタは基板端面から  
1.0mm以下の位置に実装すること。  
WHEN MATING THE ISL TYPE, HEADER CONNECTOR OUTLINE  
MUST BE MOUNTED 1.0mm MAX FROM THE PCB EDGE.

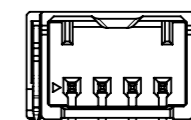
① TABLE 1

番号 No.	部品 PART	材質 MATERIAL
①	ハウジング HOUSING	ポリアミド(PA),UL94V-0, 色 : SEE CHART POLYAMIDE(PA), UL94V-0, COLOR : SEE CHART
②	ターミナル TERMINAL	黄銅 BRASS
		錫ビスマスめっき : 1.0micro-meter MIN TIN BISMUTH PLATING(TAIL AREA,CONTACT AREA)
③	ネイル NAIL	ニッケルめっき(下地):1.0 micro-meter MIN NICKEL(UNDER PLATING)
		黄銅 BRASS
		錫めっき : 1.0micro-meter MIN MATTE TIN PLATING
		ニッケルめっき(下地):1.0 micro-meter MIN NICKEL(UNDER PLATING)

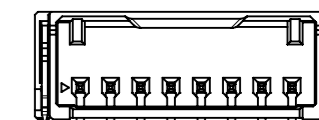
DOCUMENT STATUS P1 RELEASE DATE 2021/04/23 08:14:34



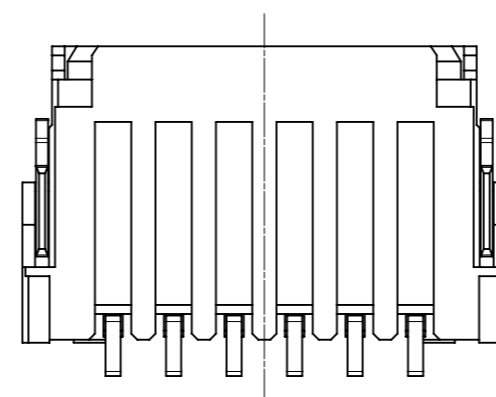
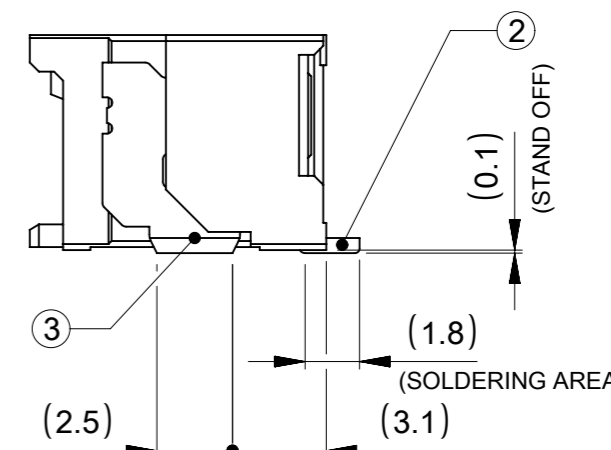
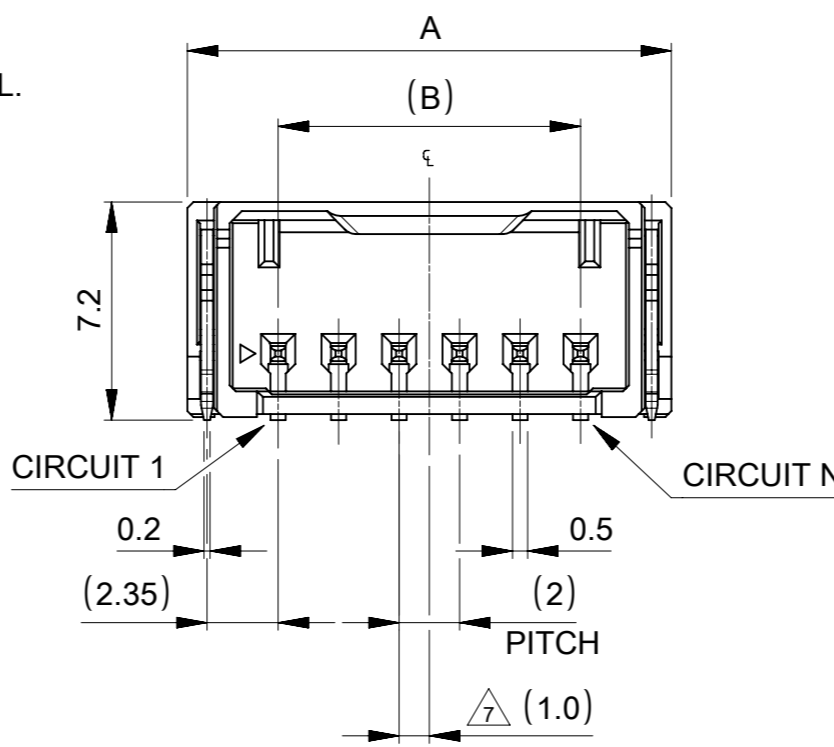
VIEW OF  
2-3 CIRCUIT



VIEW OF  
4-6 CIRCUIT



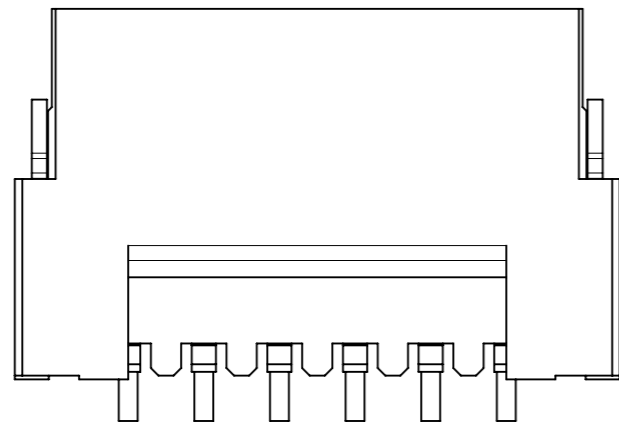
VIEW OF  
7-8 CIRCUIT



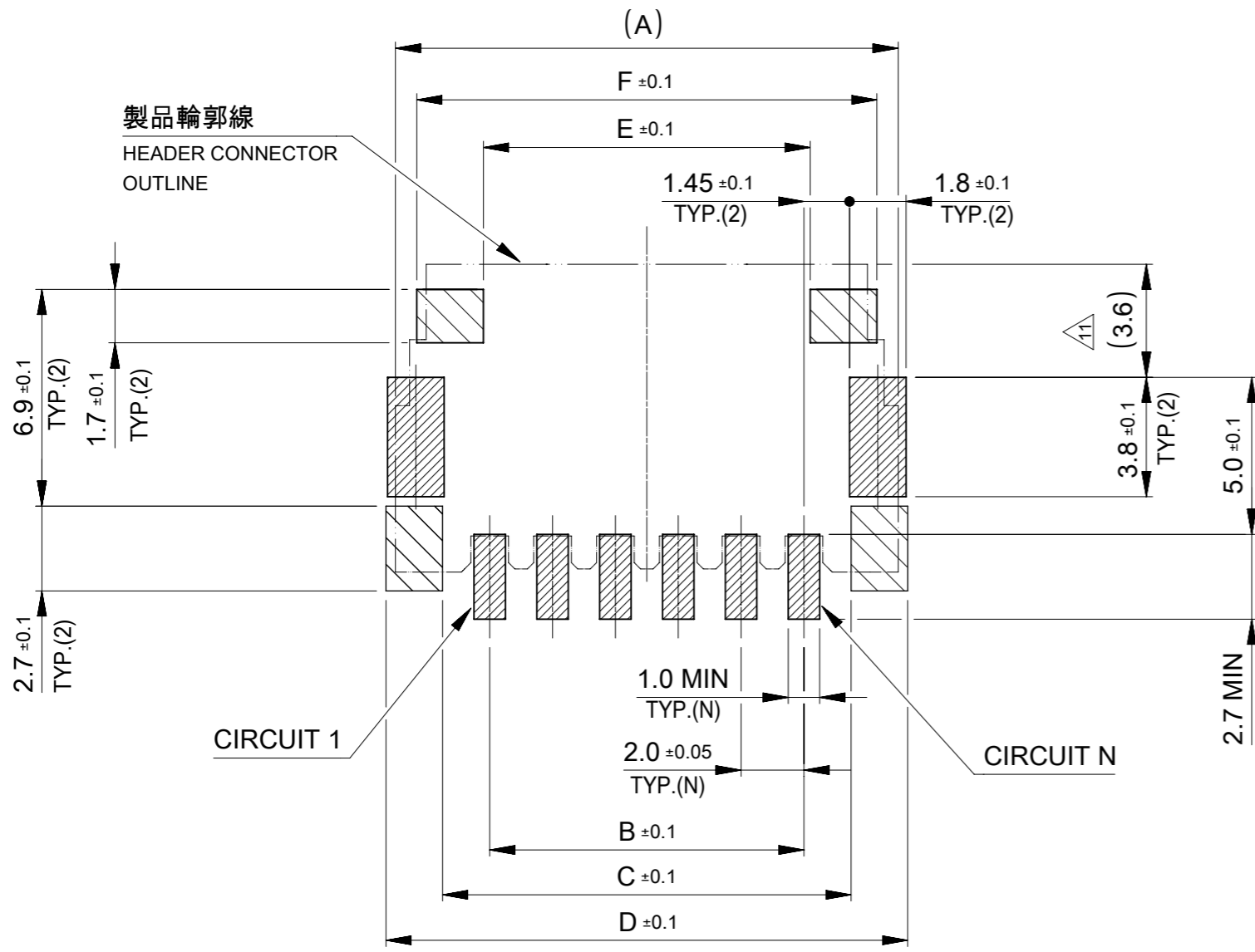
14	20	8
12	18	7
10	16	6
8	14	5
6	12	4
4	10	3
2	8	2
B	A	極数 CIRCUIT SIZE

THIS DRAWING CONTAINS INFORMATION THAT IS PROPRIETARY TO MOLEX ELECTRONIC TECHNOLOGIES, LLC AND SHOULD NOT BE USED WITHOUT WRITTEN PERMISSION

DIMENSION UNITS	SCALE	CURRENT REV DESC:	molex		
mm	NTS		MICRO-ONE 2.0W/B GLOW WIRE TYPE HEADER ASSEMBLY RIGTH ANGLE		
GENERAL TOLERANCES (UNLESS SPECIFIED)		EC NO: 658675	PRODUCT CUSTOMER DRAWING		
ANGULAR TOL	± 3.0 °	DRWN: KYAMADA02 2021/03/11	DOCUMENT NUMBER		
4 PLACES	± 0.2	CHK'D: AIDA 2021/04/23	DOC TYPE DOC PART REVISION		
3 PLACES	± 0.2	APPR: SAKIYAMA 2021/04/23	2170640000-SD PSD 000 C		
2 PLACES	± 0.2	INITIAL REVISION:	MATERIAL NUMBER CUSTOMER SHEET NUMBER		
1 PLACE	± 0.2	DRWN: KYAMADA02 2020/12/04	SEE TABLE GENERAL 1 OF 5		
0 PLACES	± 0.2	APPR: SAKIYAMA 2020/12/15			
DRAFT WHERE APPLICABLE MUST REMAIN WITHIN DIMENSIONS	THIRD ANGLE PROJECTION	DRAWING	SERIES		
		A3-SIZE	217064		



製品レイアウト  
PRODUCT LAYOUT

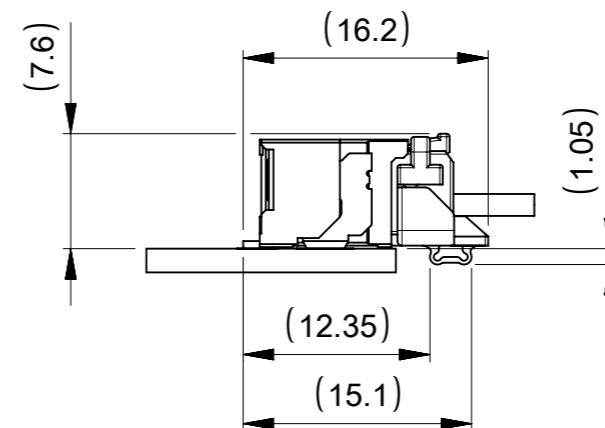
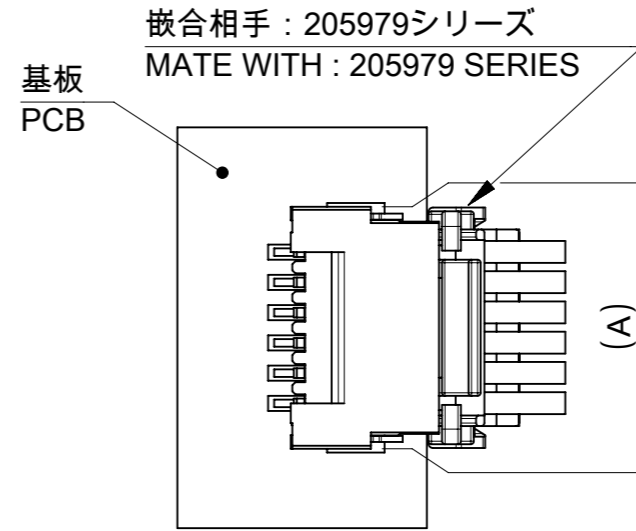


推奨基板レイアウト:実装面側

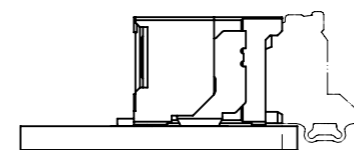
(参考: 基板厚1.6mm, メタルマスク厚0.15mm, マスク開口率100%)  
SUGGESTED PCB LAYOUT : COMPONENT SIDE  
(REFERENCE: PCB THICKNESS 1.6mm, STENCIL THICKNESS 0.15mm,  
APERTURE RATIO 100%)



:パターン禁止エリア  
RESTRICTED AREA  
NO PCB COMPONENTS ALLOWED

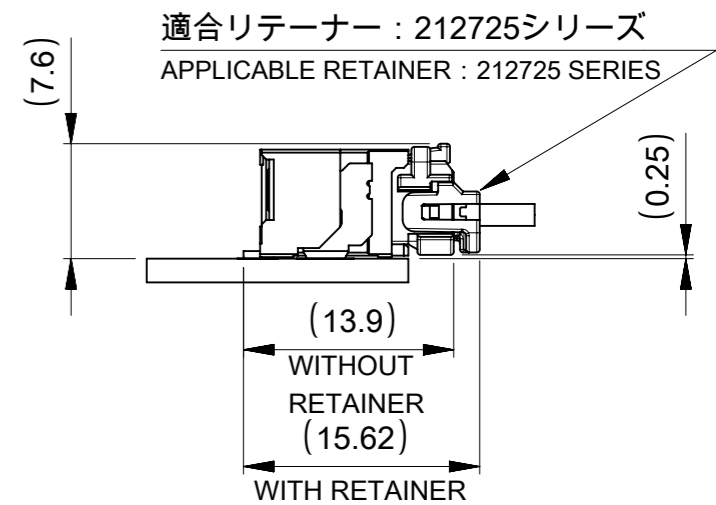
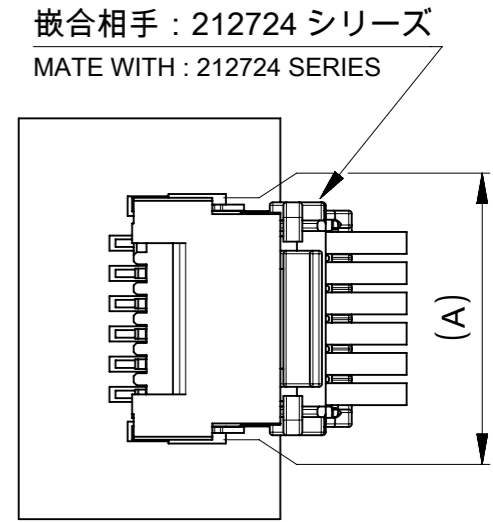


△ ISLタイプ嵌合図  
MATED CONNECTOR OF ISL TYPE



1.0 MAX  
HEADER CONNECTOR OUTLINE  
FROM THE PCB EDGE.

△ ISLタイプ基板レイアウトの注意点  
PCB LAYOUT PRECAUTIONS FOR ISL TYPE

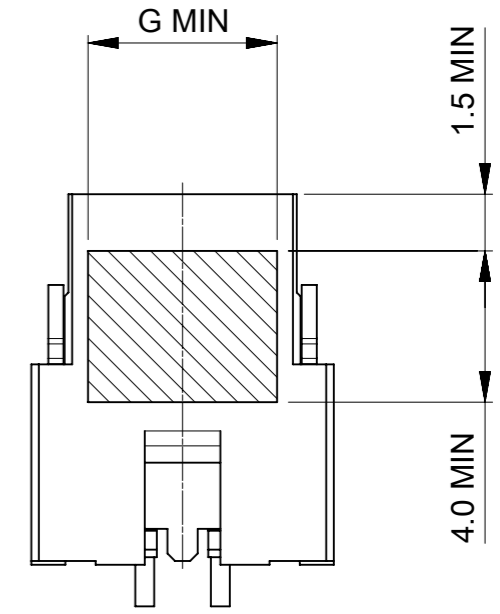
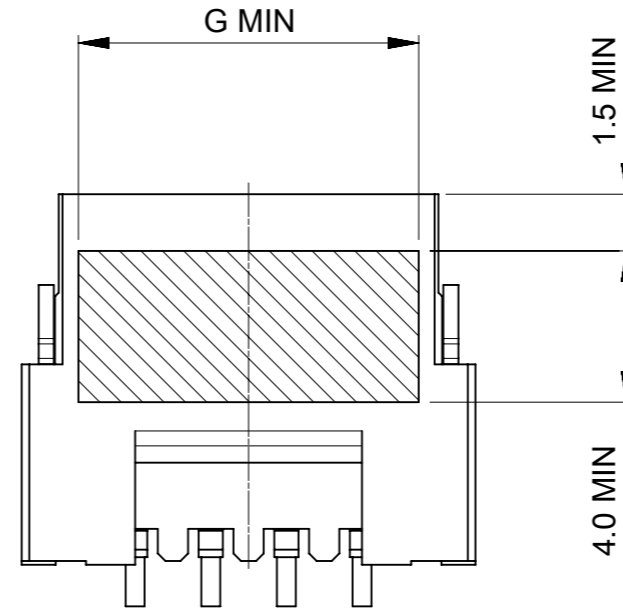
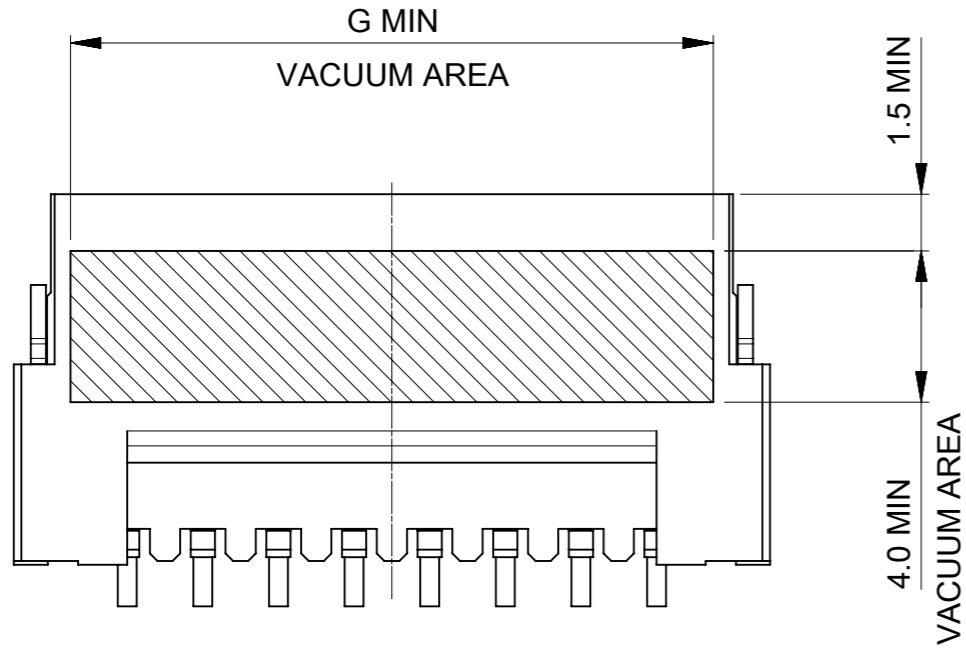


△ TPAタイプ嵌合図  
MATED CONNECTOR OF TPA TYPE

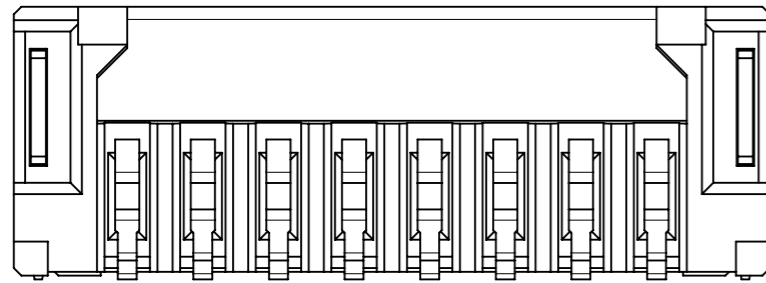
18.6	14.4	20.6	17.0	8
16.6	12.4	18.6	15.0	7
14.6	10.4	16.6	13.0	6
12.6	8.4	14.6	11.0	5
10.6	6.4	12.6	9.0	4
8.6	4.4	10.6	7.0	3
6.6	2.4	8.6	5.0	2
F	E	D	C	極数 CIRCUIT SIZE

THIS DRAWING CONTAINS INFORMATION THAT IS PROPRIETARY TO MOLEX ELECTRONIC TECHNOLOGIES, LLC AND SHOULD NOT BE USED WITHOUT WRITTEN PERMISSION		CURRENT REV DESC:		<b>molex</b>	
DIMENSION UNITS	SCALE				
mm	NTS			MICRO-ONE 2.0W/B GLOW WIRE TYPE HEADER ASSEMBLY RIGTH ANGLE	
GENERAL TOLERANCES (UNLESS SPECIFIED)				PRODUCT CUSTOMER DRAWING	
ANGULAR TOL ± 3.0 °				DOCUMENT NUMBER	
4 PLACES	± 0.2	EC NO: 658675	2021/03/11	2170640000-SD	
3 PLACES	± 0.2	DRWN: KYAMADA02	2021/04/23	DOC TYPE	DOC PART
2 PLACES	± 0.2	CHK'D: AIDA	2021/04/23	PSD	000
1 PLACE	± 0.2	APPR: SAKIYAMA		C	
0 PLACES	± 0.2	INITIAL REVISION:		SHEET NUMBER	
DRAFT WHERE APPLICABLE MUST REMAIN WITHIN DIMENSIONS		DRWN: KYAMADA02	2020/12/04	2 OF 5	
THIRD ANGLE PROJECTION		APPR: SAKIYAMA	2020/12/15		
DRAWING		SERIES	MATERIAL NUMBER	CUSTOMER	
A3-SIZE		217064	SEE TABLE	GENERAL	

VACUUM AREA

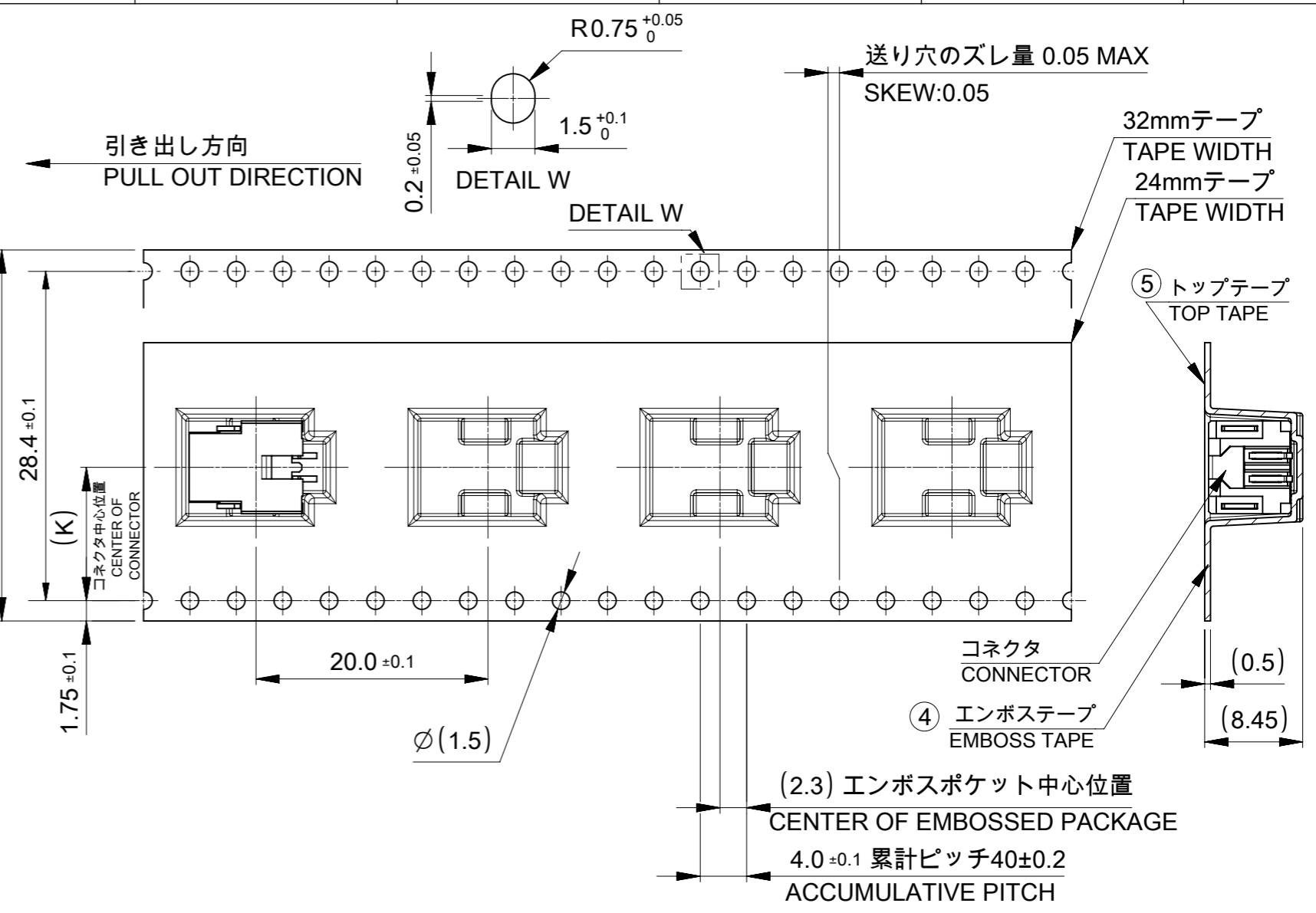
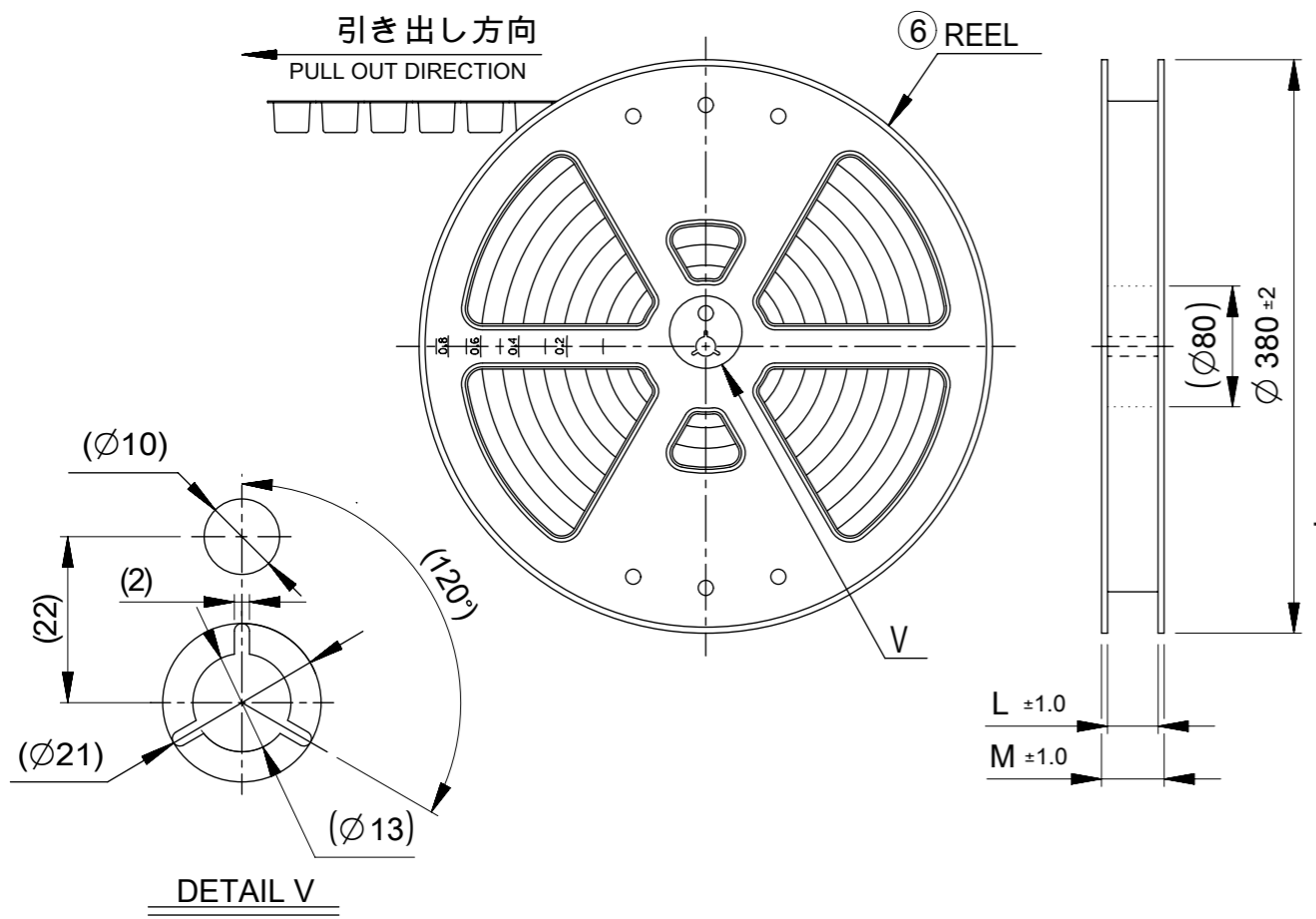


吸着面  
VACUUM AREA



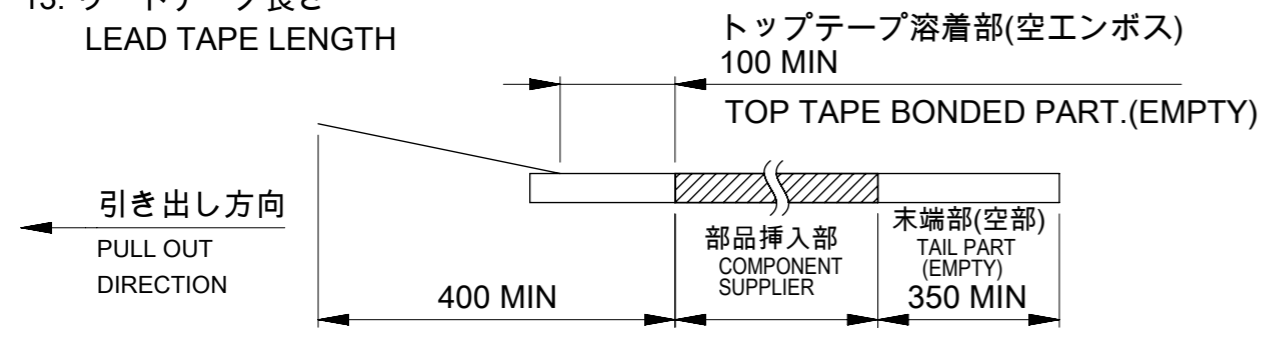
17.0	8
15.0	7
13.0	6
11.0	5
9.0	4
7.0	3
5.0	2
G	極数 CURCUIT SIZE

THIS DRAWING CONTAINS INFORMATION THAT IS PROPRIETARY TO MOLEX ELECTRONIC TECHNOLOGIES, LLC AND SHOULD NOT BE USED WITHOUT WRITTEN PERMISSION									
DIMENSION UNITS <b>mm</b>		SCALE <b>NTS</b>		CURRENT REV DESC:				<b>molex</b>	
GENERAL TOLERANCES (UNLESS SPECIFIED)		ANGULAR TOL ± 3.0 °		EC NO: 658675					
4 PLACES ± 0.2		3 PLACES ± 0.2		DRWN: KYAMADA02		2021/03/11		MICRO-ONE 2.0W/B GLOW WIRE TYPE HEADER ASSEMBLY RIGTH ANGLE	
2 PLACES ± 0.2		1 PLACE ± 0.2		CHK'D: AIDA		2021/04/23		PRODUCT CUSTOMER DRAWING	
0 PLACES ± 0.2		DRAFT WHERE APPLICABLE MUST REMAIN WITHIN DIMENSIONS		THIRD ANGLE PROJECTION		DRAWING <b>A3-SIZE</b>		SERIES <b>217064</b>	
DOCUMENT NUMBER <b>2170640000-SD</b>		DOC TYPE <b>PSD</b>		DOC PART <b>000</b>		REVISION <b>C</b>		SHEET NUMBER <b>3 OF 5</b>	
MATERIAL NUMBER SEE TABLE		CUSTOMER GENERAL							



**NOTES**

- 12. 梱包数量 : 550個/リール  
NUMBER OF CONNECTORS : 550 PIECES/REEL
- 13. リードテープ長さ  
LEAD TAPE LENGTH



- 14. トップテープの剥離強度はIEC60286-3に準拠。  
TOP TAPE PEELING FORCE IS DEFINED BY IEC60286-3.

△15 発注番号 : SHEET 5 参照  
ORDER No. : PLEASE REFER TO SHEET 5 FOR PRODUCT LIST.

**217064 0 \* \* \***

極数  
CIRCUIT SIZE

0 : COLOR NATURAL(BEIGE)  
1 : COLOR BLACK

37.5	33.5	14.2	32±0.3	8
				7
				6
				5
				4
			24 <sup>+0.3</sup> <sub>-0.1</sub>	3
				2
M	L	K	エンボステープ幅 J WIDTH OF TAPE	極数 CIRCUIT SIZE

番号 No.	部品 PART	材質 MATERIAL
④	エンボステープ EMBOSS TAPE	ポリスチレン(PS),その他 POLYSTYRENE(PS),etc
⑤	トップテープ TOP TAPE	ポリエチレン(PE),その他 POLYETHYLENE(PE),etc
⑥	リール REEL	ポリスチレン(PS) <リサイクル材を含む> POLYSTYRENE(PS) < RECYCLE MATERIAL CONTAINED >

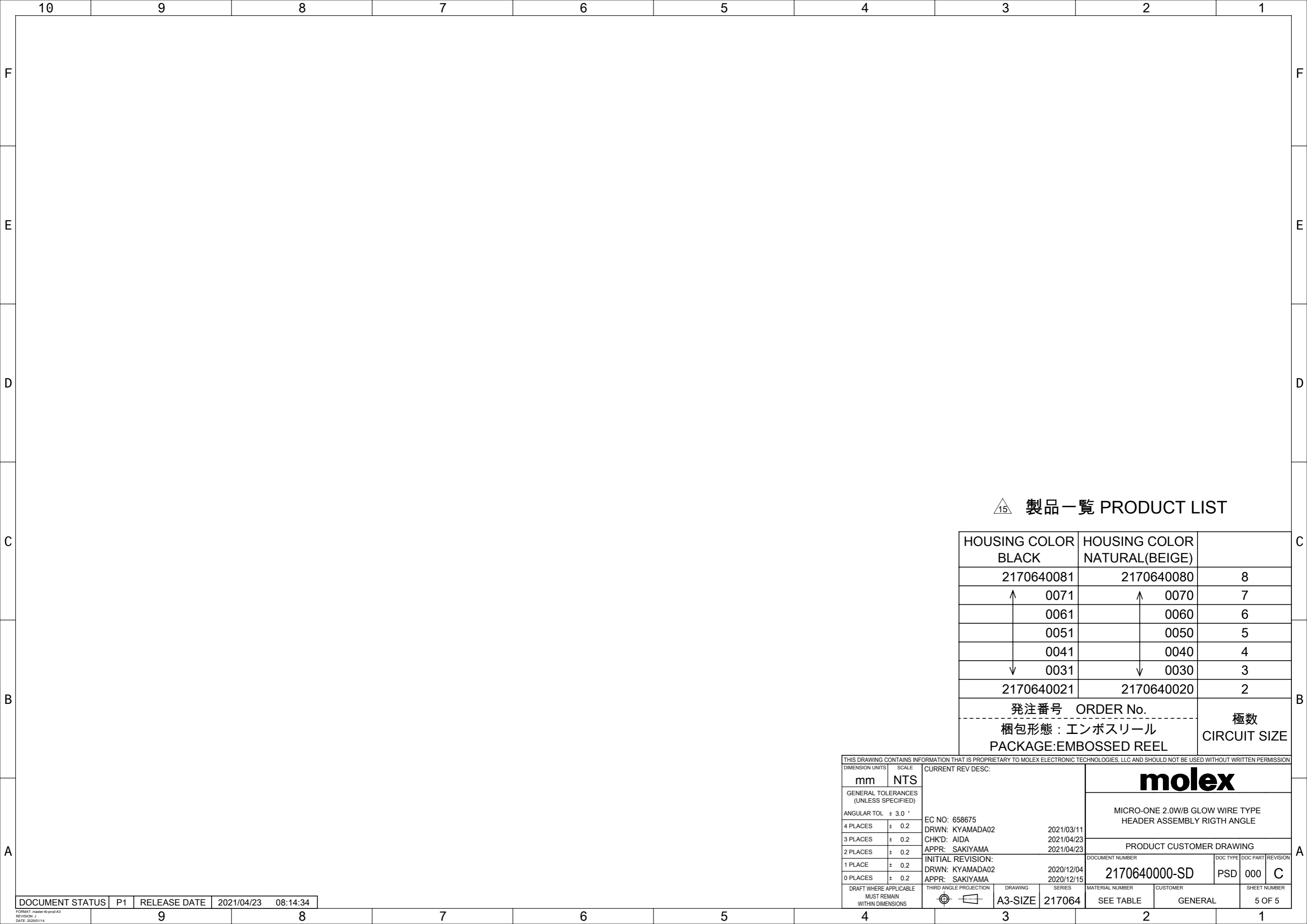
THIS DRAWING CONTAINS INFORMATION THAT IS PROPRIETARY TO MOLEX ELECTRONIC TECHNOLOGIES, LLC AND SHOULD NOT BE USED WITHOUT WRITTEN PERMISSION

DIMENSION UNITS mm	SCALE NTS	CURRENT REV DESC:	
GENERAL TOLERANCES (UNLESS SPECIFIED)		molex	
ANGULAR TOL ± 3.0 °	4 PLACES ± 0.2	MICRO-ONE 2.0W/B GLOW WIRE TYPE HEADER ASSEMBLY RIGTH ANGLE	
3 PLACES ± 0.2	2 PLACES ± 0.2	PRODUCT CUSTOMER DRAWING	
1 PLACE ± 0.2	0 PLACES ± 0.2	DOCUMENT NUMBER 2170640000-SD	DOC TYPE DOC PART REVISION PSD 000 C
DRAFT WHERE APPLICABLE MUST REMAIN WITHIN DIMENSIONS	THIRD ANGLE PROJECTION	DRAWING A3-SIZE	SERIES 217064

EC NO: 658675  
DRWN: KYAMADA02 2021/03/11  
CHK'D: AIDA 2021/04/23  
APPR: SAKIYAMA 2021/04/23  
INITIAL REVISION:  
DRWN: KYAMADA02 2020/12/04  
APPR: SAKIYAMA 2020/12/15

DOCUMENT NUMBER: 2170640000-SD  
DOC TYPE: PSD  
DOC PART: 000  
REVISION: C

MATERIAL NUMBER: SEE TABLE  
CUSTOMER: GENERAL  
SHEET NUMBER: 4 OF 5



△<sub>15</sub> 製品一覧 PRODUCT LIST

HOUSING COLOR BLACK	HOUSING COLOR NATURAL(BEIGE)	
2170640081	2170640080	8
↑ 0071	↑ 0070	7
0061	0060	6
0051	0050	5
0041	0040	4
↓ 0031	↓ 0030	3
2170640021	2170640020	2
発注番号 ORDER No.		極数 CIRCUIT SIZE
梱包形態：エンボスリール PACKAGE:EMBOSSED REEL		

THIS DRAWING CONTAINS INFORMATION THAT IS PROPRIETARY TO MOLEX ELECTRONIC TECHNOLOGIES, LLC AND SHOULD NOT BE USED WITHOUT WRITTEN PERMISSION									
DIMENSION UNITS	SCALE	CURRENT REV DESC:					<b>molex</b>		
mm	NTS								
GENERAL TOLERANCES (UNLESS SPECIFIED)							MICRO-ONE 2.0W/B GLOW WIRE TYPE HEADER ASSEMBLY RIGTH ANGLE		
ANGULAR TOL	± 3.0 °						PRODUCT CUSTOMER DRAWING		
4 PLACES	± 0.2	EC NO: 658675			2021/03/11				
3 PLACES	± 0.2	DRWN: KYAMADA02			2021/04/23				
2 PLACES	± 0.2	CHK'D: AIDA			2021/04/23				
1 PLACE	± 0.2	APPR: SAKIYAMA							
0 PLACES	± 0.2	INITIAL REVISION:				DOCUMENT NUMBER	DOC TYPE	DOC PART	REVISION
		DRWN: KYAMADA02		2020/12/04		2170640000-SD	PSD	000	C
		APPR: SAKIYAMA		2020/12/15					
DRAFT WHERE APPLICABLE MUST REMAIN WITHIN DIMENSIONS	THIRD ANGLE PROJECTION	DRAWING	SERIES	MATERIAL NUMBER	CUSTOMER	SHEET NUMBER			
		A3-SIZE	217064	SEE TABLE	GENERAL	5 OF 5			

DOCUMENT STATUS	P1	RELEASE DATE	2021/04/23	08:14:34
-----------------	----	--------------	------------	----------