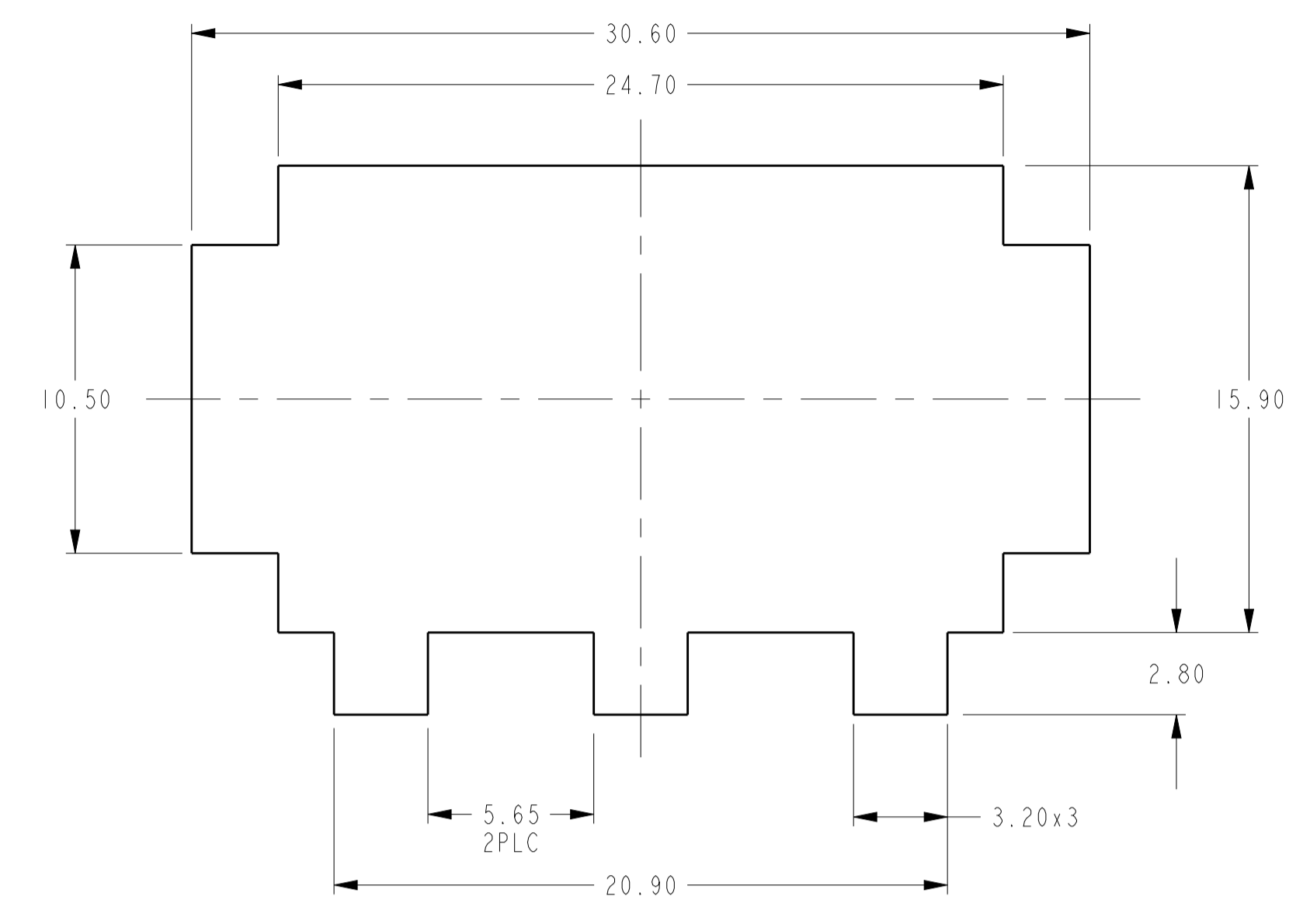
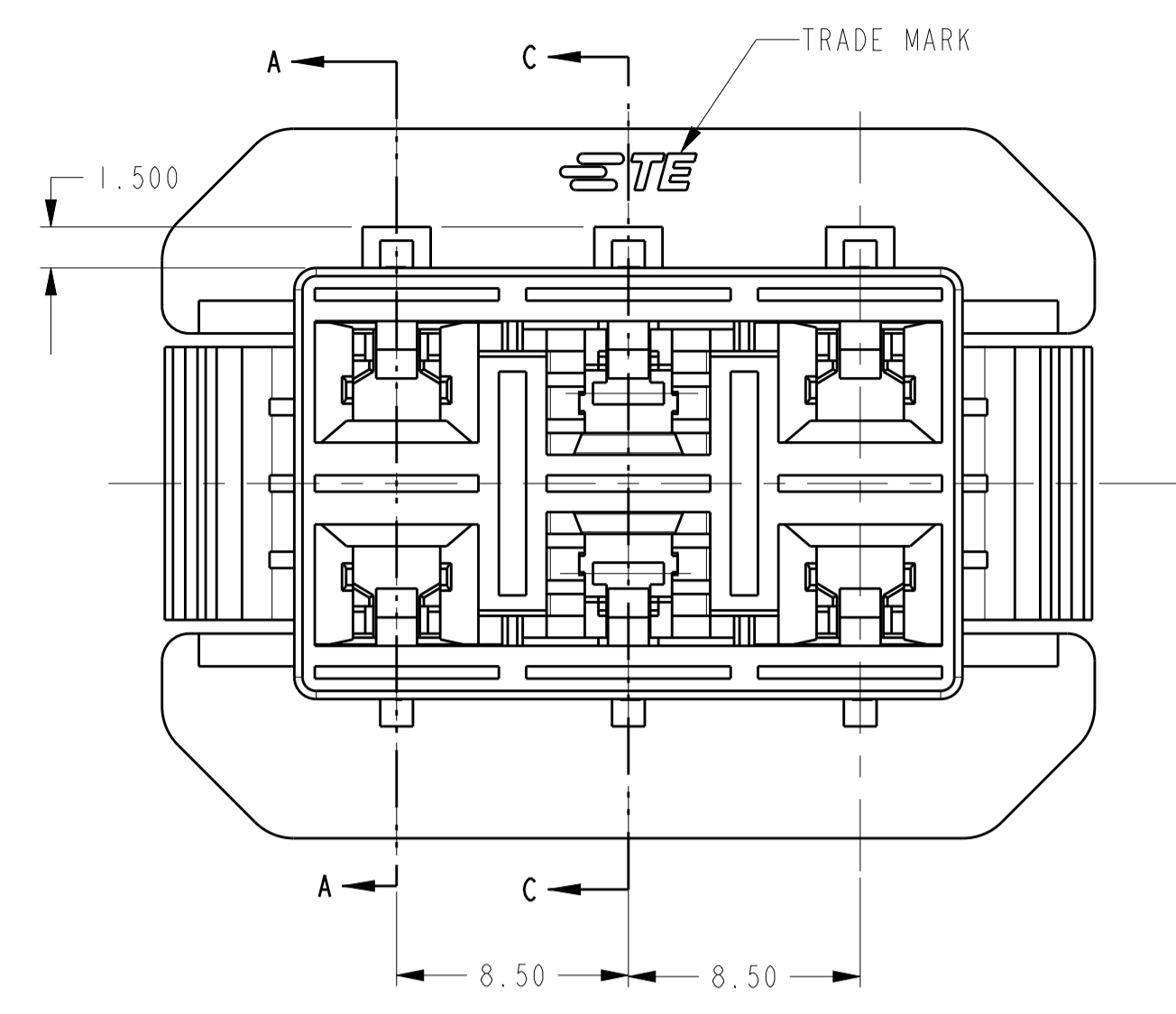
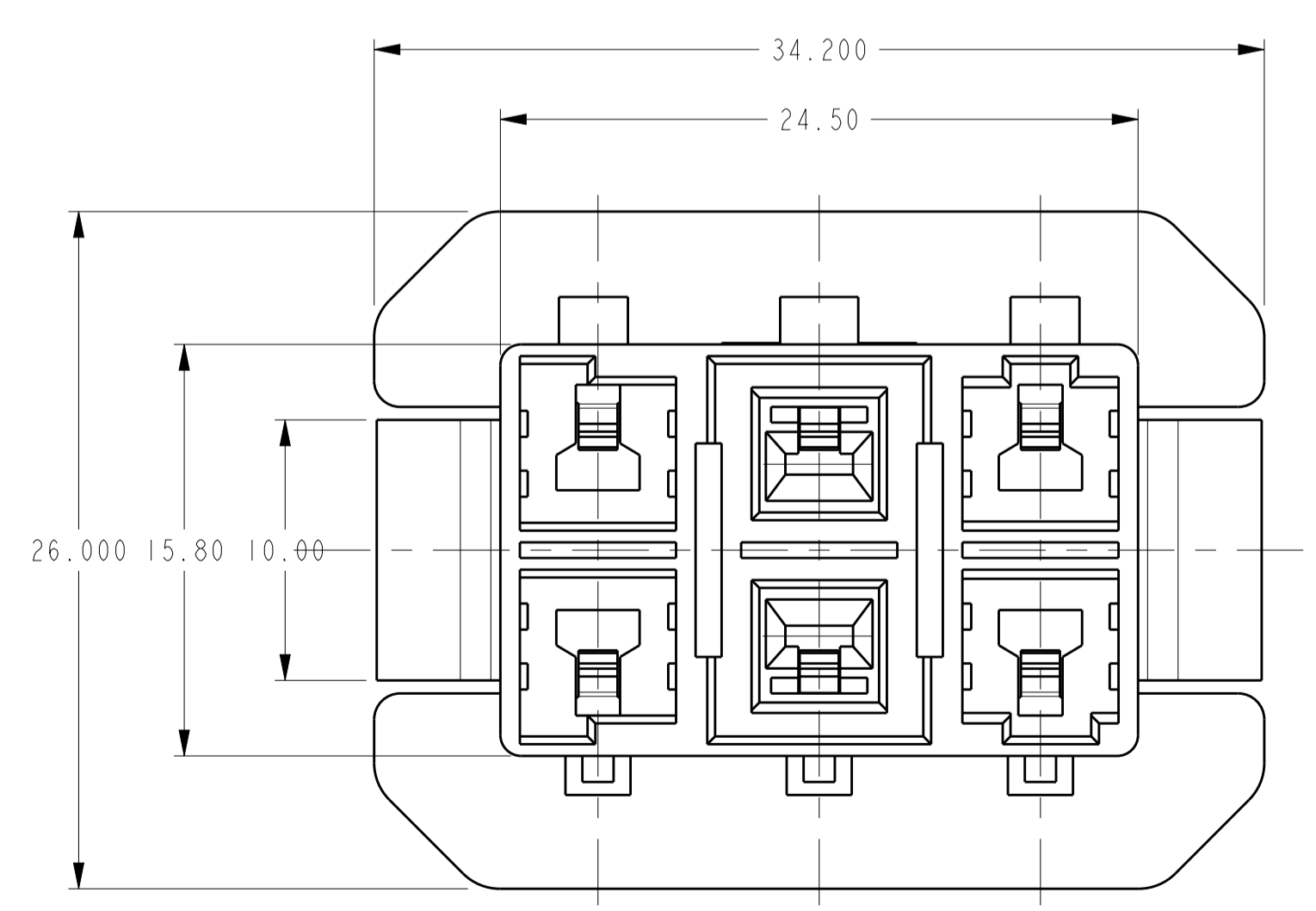
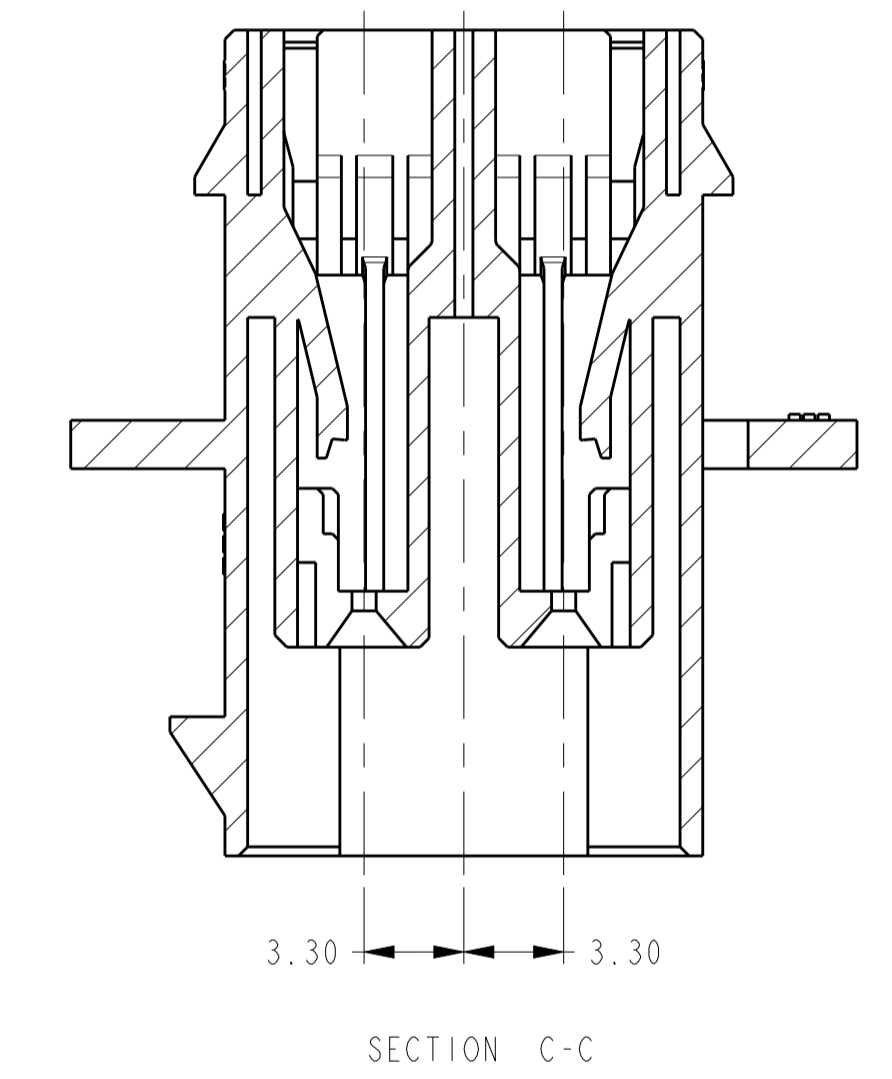
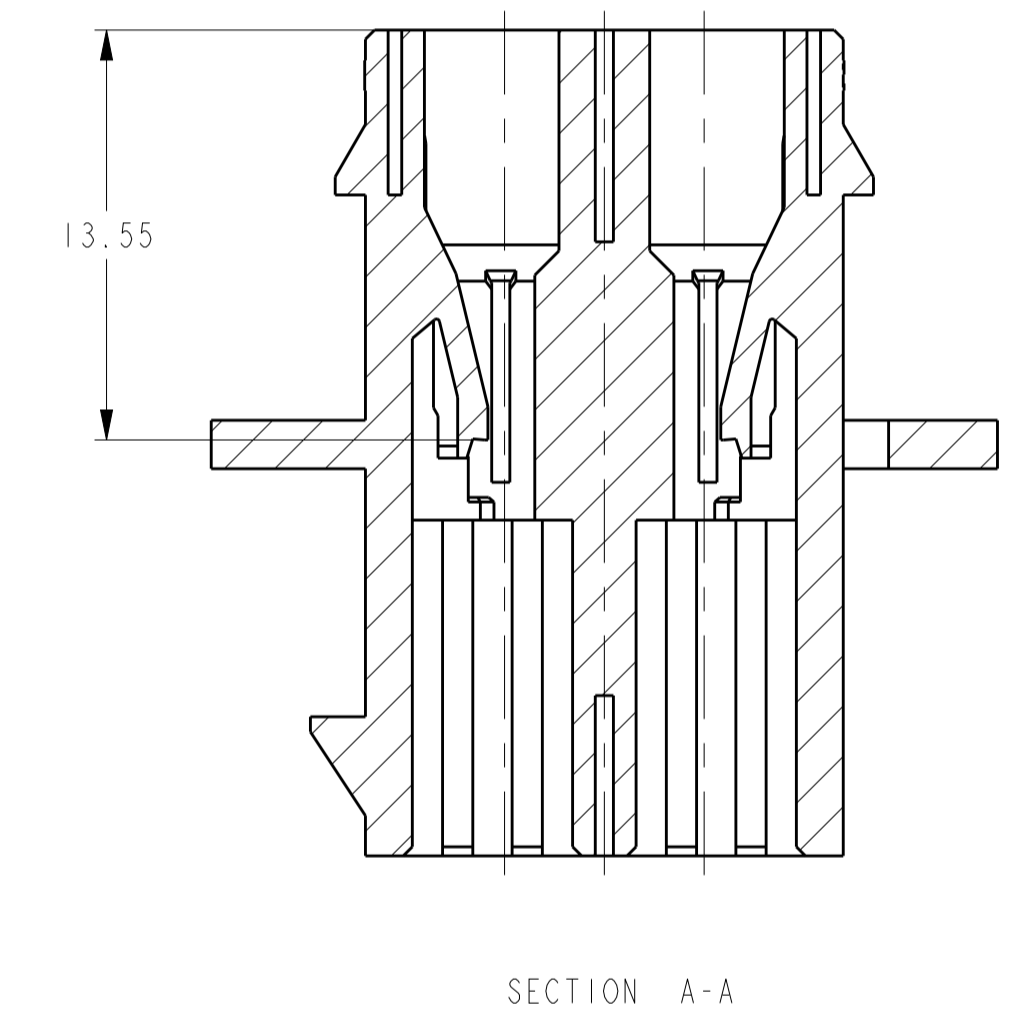
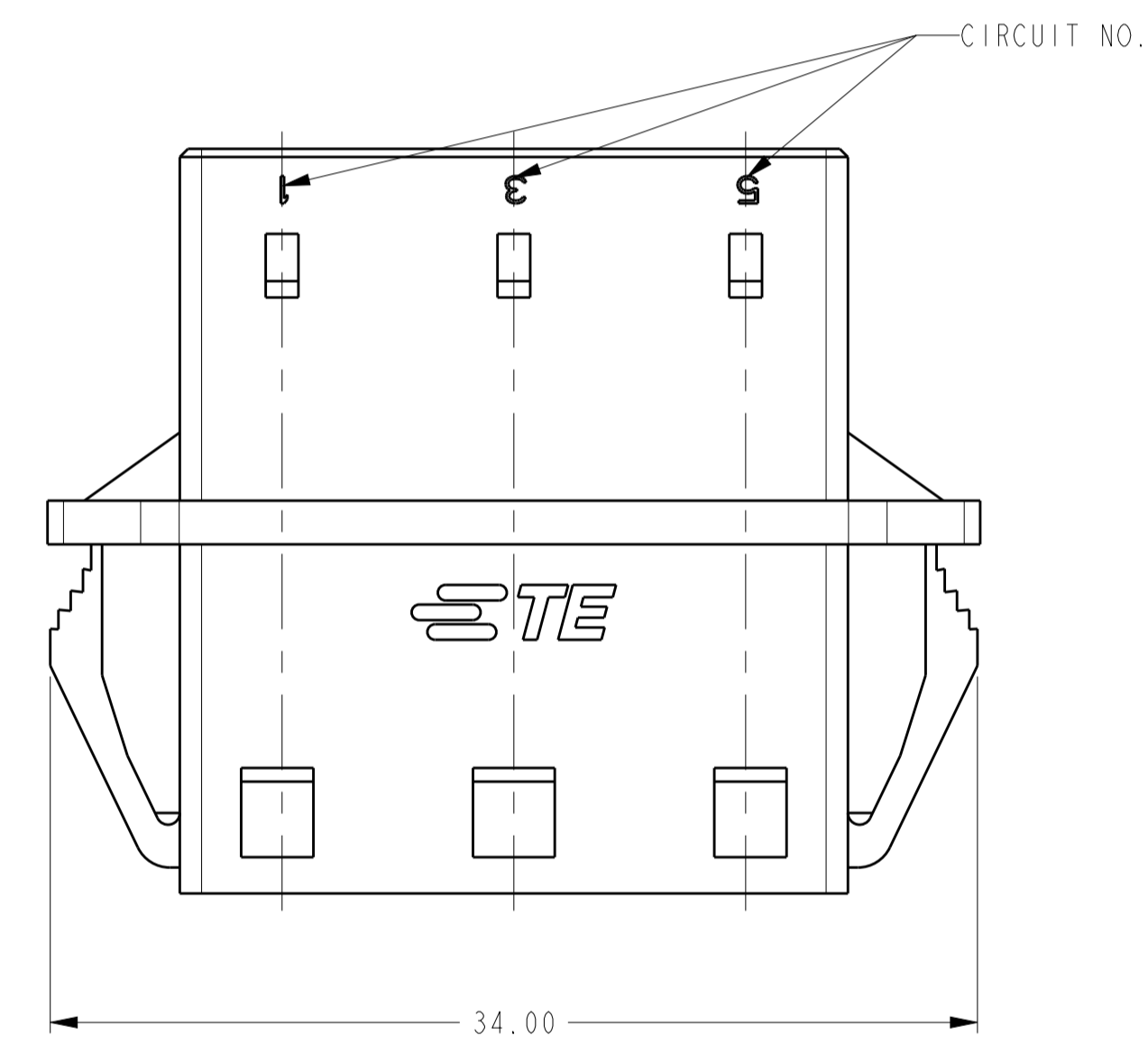
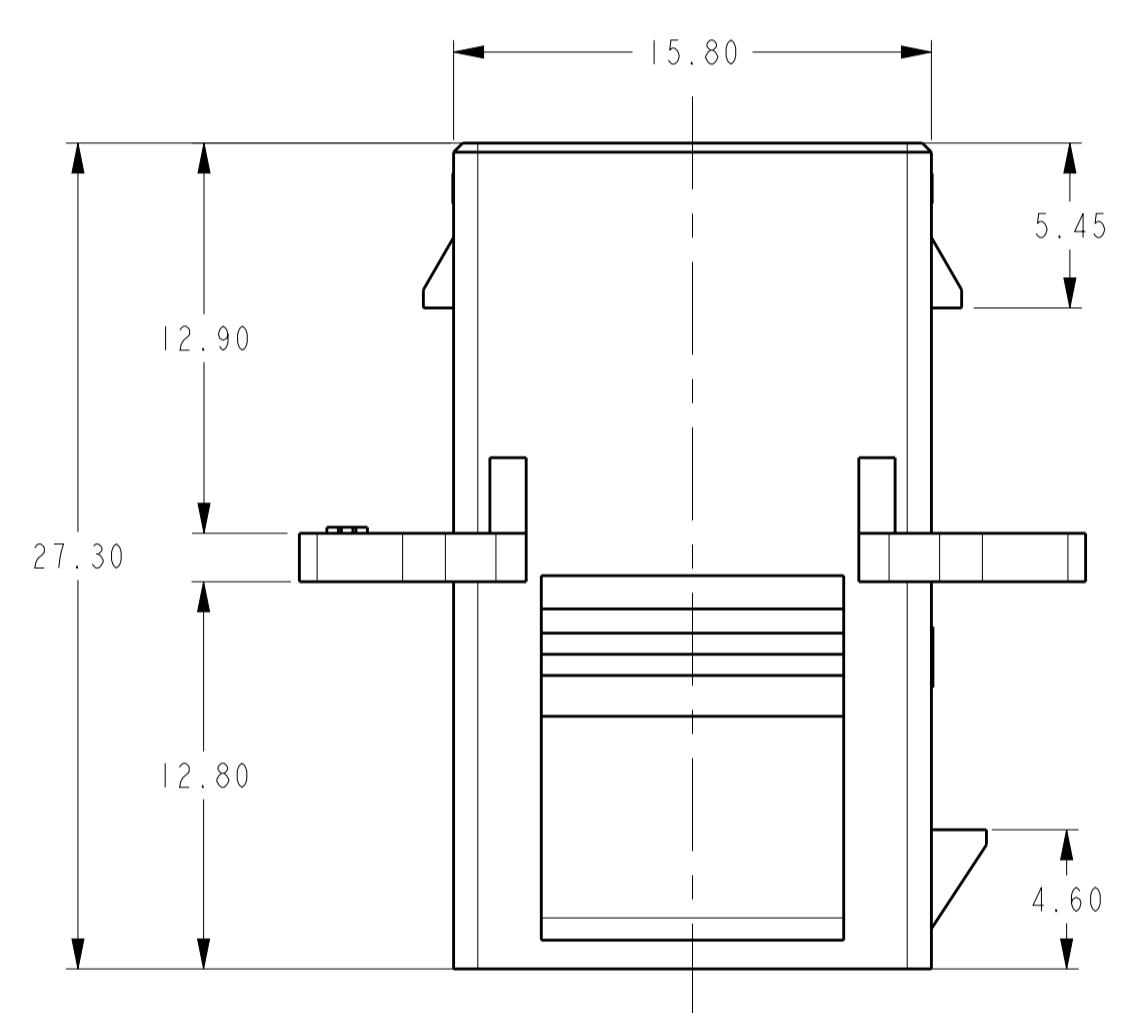


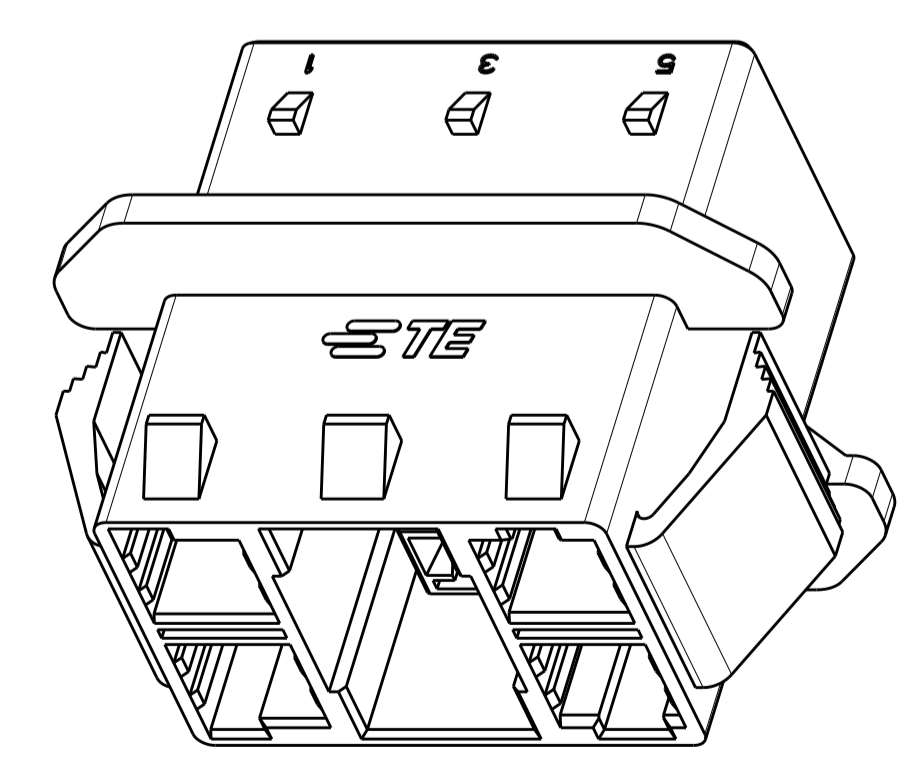
REVISEMENTS		DATE	DWN	APVD
A	RELEASED	17AUG2011	R. C	E. K
A1	ADD "GWT REQUIREMENTS" IN NOTE 7.	11OCT2012	DZ	YH. M
A2	REVISED PER ECR-17-012469	25AUG2017	N. L	D. Z
B	REVISED PER ECR-19-015245	01OCT2019	M. G	D. Z



RECOMMENDED PANEL OPENING DIMENSIONS
 (TOLERANCE: ±0.05mm)



- NOTE**
- MATERIAL: THERMOPLASTIC, UL94 V-0, COLOR: NATURAL
 - PRODUCT SPEC: 108-106071
 - APPLICABLE CONTACT P/N:
 TAB CONTACT: 1983661/2-1 FOR CIRCUIT NO. 1, 2, 5, 6.
 REC CONTACT: 1983663/4-1 FOR CIRCUIT NO. 3, 4
 - MATING CONN. P/N:
 HSG: 1983660-1(2P), 1983659-1(4P)
 - APPLICABLE DOUBLE LOCK PLATE P/N: 1983667-1
 - APPLICABLE PANEL THICKNESS: 1.2mm
 - PRODUCT COMPLY WITH GLOW WIRE REQUIREMENTS FOR PARTS OF NON-METALLIC MATERIAL SUPPORTING A CURRENT-CARRYING CONNECTION DETAILED IN IEC 60335-1, SECTION 30 (GWT).



THIS DRAWING IS A CONTROLLED DOCUMENT.		DWN: RICHARD CHEN 19AUG2011	PART NUMBER 1983658-1	
DIMENSIONS: mm		CHK: HAPYE WU 19AUG2011	STE TE Connectivity	
TOLERANCES UNLESS OTHERWISE SPECIFIED:		APVD: ERIC KONG 19AUG2011	NAME	
0 PLC ±	1 PLC ±0.30	PRODUCT SPEC		
2 PLC ±	3 PLC ±	108-106071		
4 PLC ±	ANGLES ±2°	APPLICATION SPEC		
MATERIAL	FINISH	SIZE: A1	CAGE CODE: 00779	DRAWING NO: 1983658
CUSTOMER DRAWING		WEIGHT	SCALE: 4:1	SHEET 1 OF 1