

THIS DRAWING IS UNPUBLISHED.

RELEASED FOR PUBLICATION

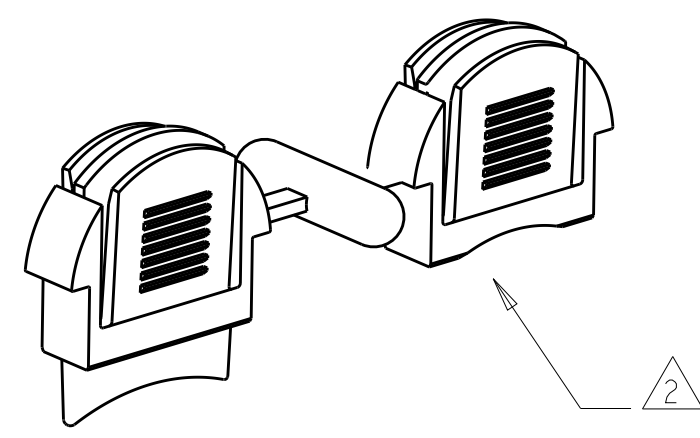
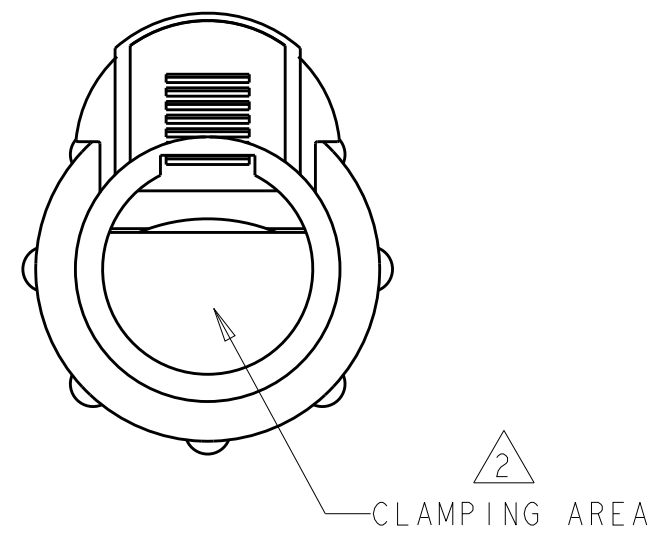
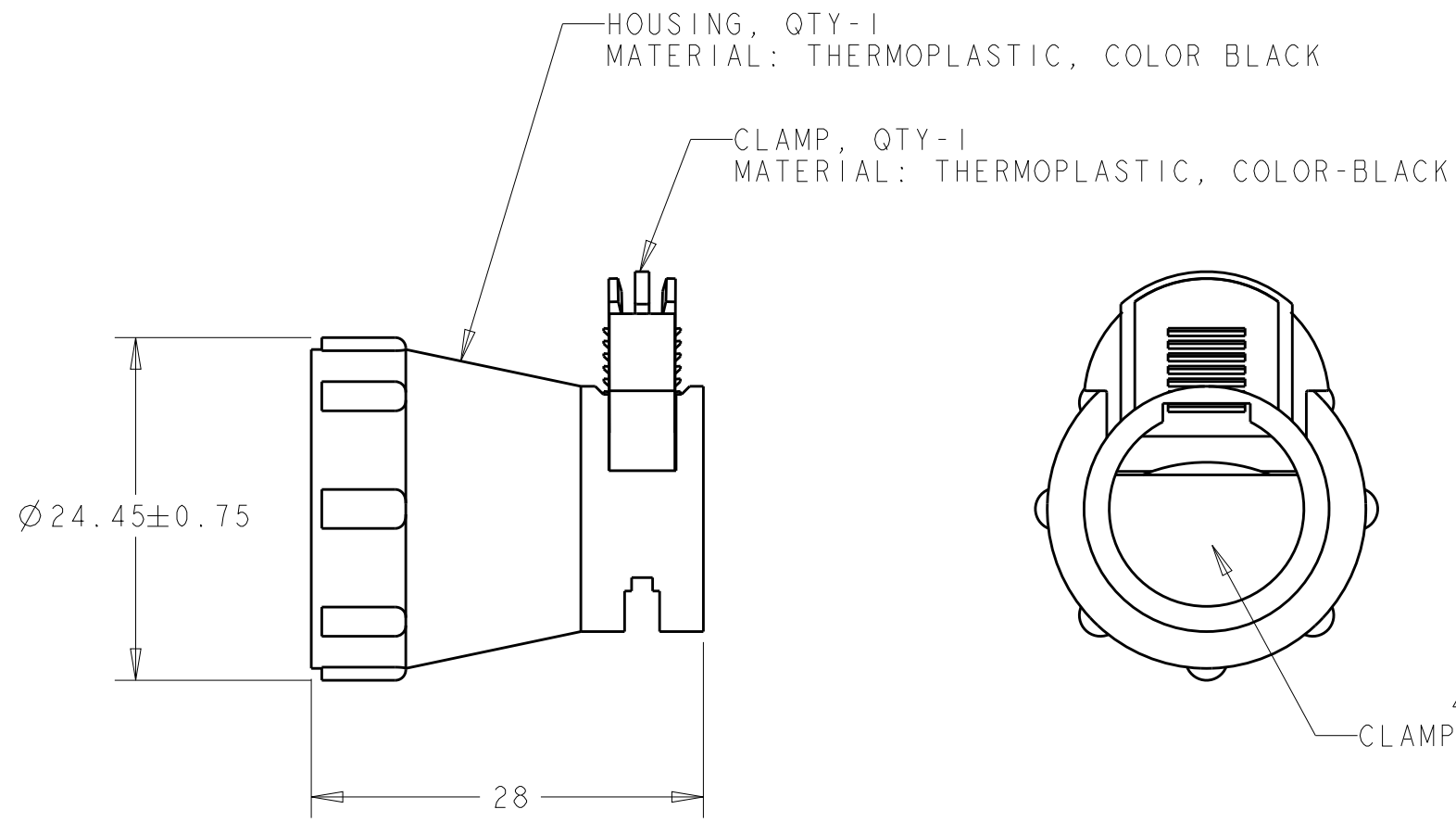
20

© COPYRIGHT 20 BY -

ALL RIGHTS RESERVED.

REVISIONS

P	LTR	DESCRIPTION	DATE	DWN	APVD
	A	RELEASED EC 0G3B-0881-04	13OCT2004	SW	HW
	B	REVISED PER ECO-16-018352	23MAR2017	RS	MZ



- 1. PARTS PACKAGED UNASSEMBLED.
- 2. CABLE CLAMPING AREA ADJUSTABLE FROM 2.35mm² TO 114.45mm².
2 CLAMPS SUPPLIED PER ASSEMBLY.
- 3. MAXIMUM CABLE IS Ø12.

OBSOLETE	BULK	1445856-2
	INDIVIDUAL	1445856-1
	PACKAGING	PART NUMBER

THIS DRAWING IS A CONTROLLED DOCUMENT.		DWN SHANE WIEST 11OCT2001	STE TE Connectivity	
DIMENSIONS: mm		CHK G DOUTY 11OCT2001		
TOLERANCES UNLESS OTHERWISE SPECIFIED:		APVD H WAKFEM 16JUN2003	NAME ASSEMBLY, VERTICAL, STRAIN RELIEF, SIZE 11, MINI CPC	
0 PLC ±-		PRODUCT SPEC -	SIZE A3	
1 PLC ±-		APPLICATION SPEC -	CAGE CODE 00779	DRAWING NO C-1445856
2 PLC ±0.13		WEIGHT -	RESTRICTED TO -	
3 PLC ±-		CUSTOMER DRAWING	SCALE 2:1	SHEET 1 OF 1
4 PLC ±-				REV B
ANGLES ±-				
MATERIAL SEE CALLOUT	FINISH SEE CALLOUT			