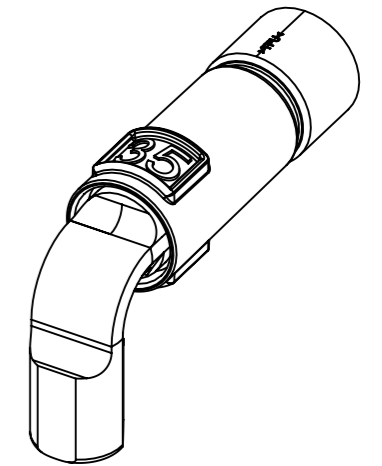
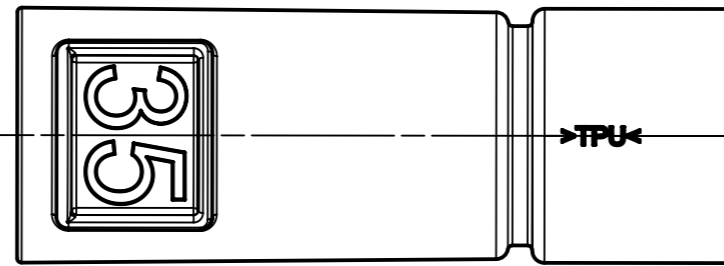
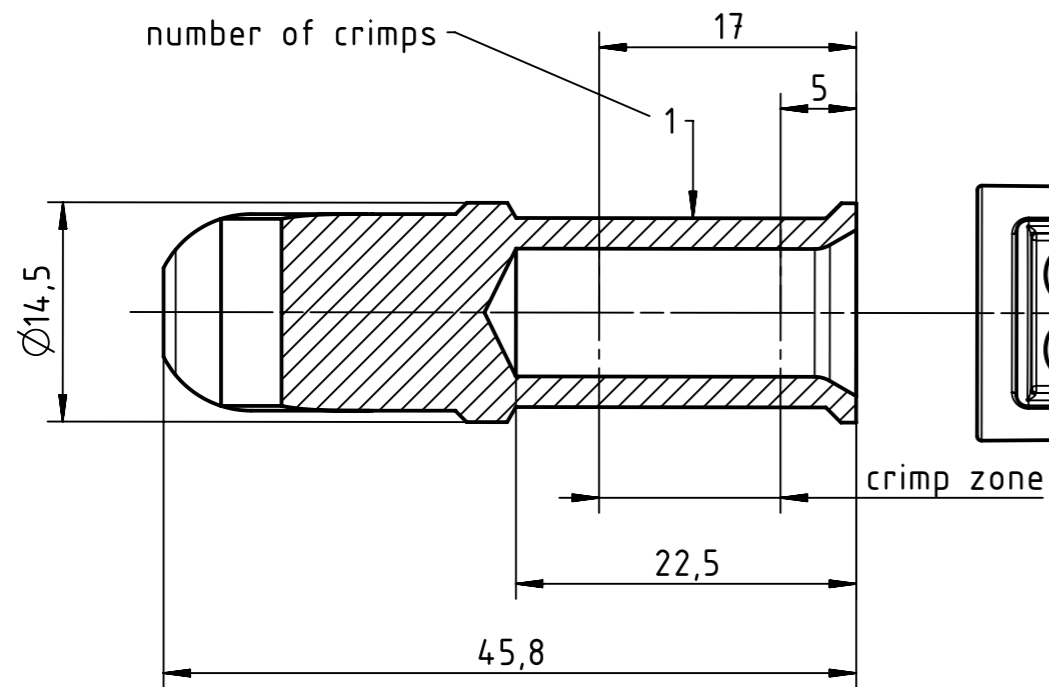


A-A(2:1)



assembly notes see catalog  
 crimp zone acc. to DIN EN 46235; indicator 12  
 for stranded fine wire acc. to VDE 0295 class 5 / IEC 60228 class 5  
 wire gauge: 35mm<sup>2</sup>  
 stripping length: 22mm

Coating	A=	mm <sup>2</sup>	V=	mm <sup>3</sup>	m=	g	Mat.
	All Dimensions in mm Original Size DIN A3		Scale 1:1	Free size tol.			Ref. Sub.
	All rights reserved Department EL PD		Created by DEIMEL	Inspected by GRIEPENSTROH	Standardisation TIEMANNA	Date 2020-09-10	State Final Release
HARTING Electric GmbH & Co. KG D-32339 Espelkamp		Title Han@ S-200A FC CRT 35mm <sup>2</sup>			Doc-Key / ECM-Nr. 100833556/UGD/000/C 500000179239		Rev. C Page 1/1
			Type TB	Number 09 93 000 6263			