

10

9

8

7

6

5

4

3

2

1

F

F

E

E

D

D

C

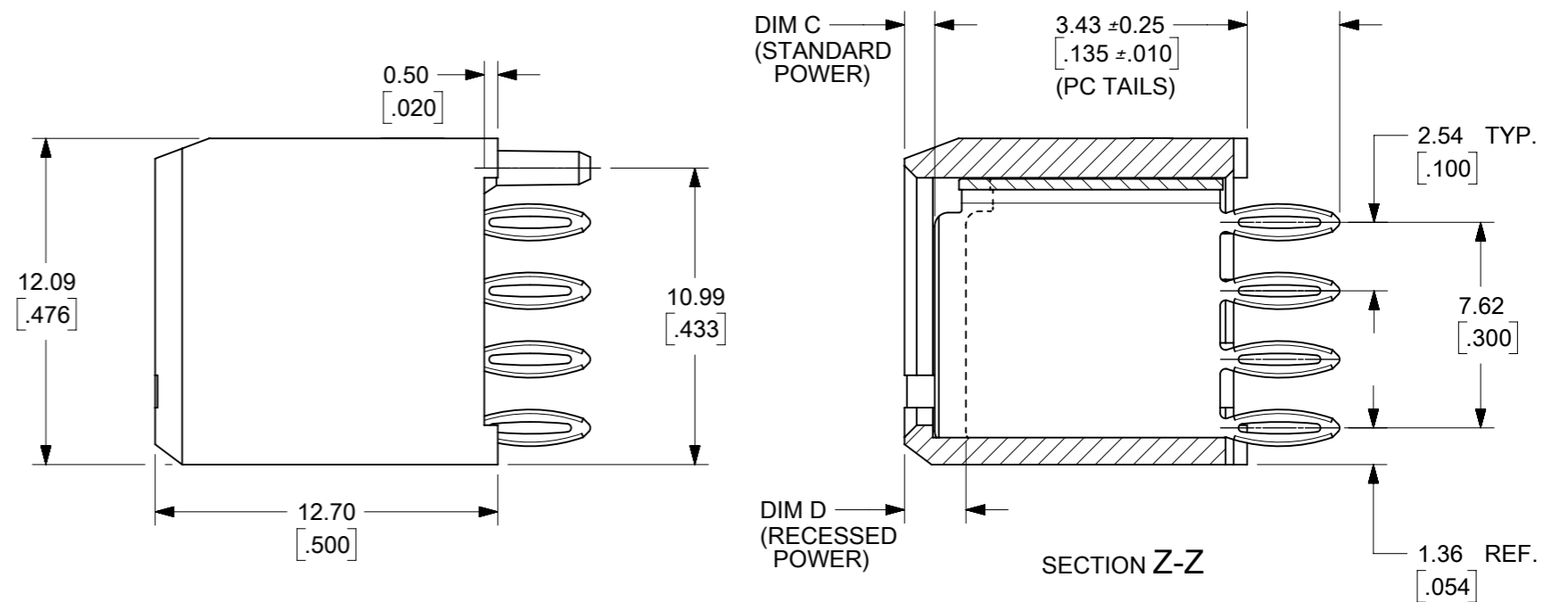
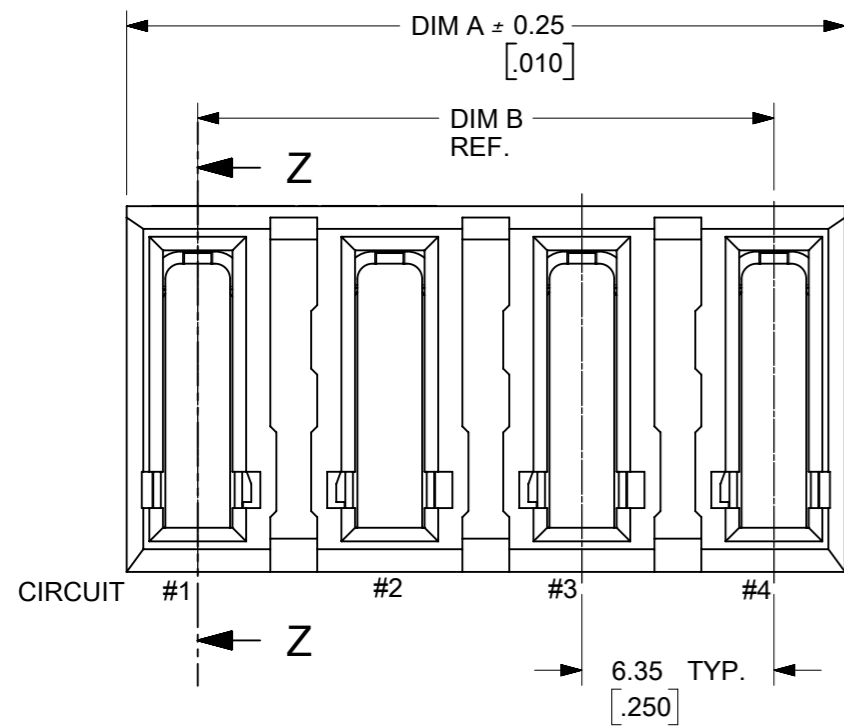
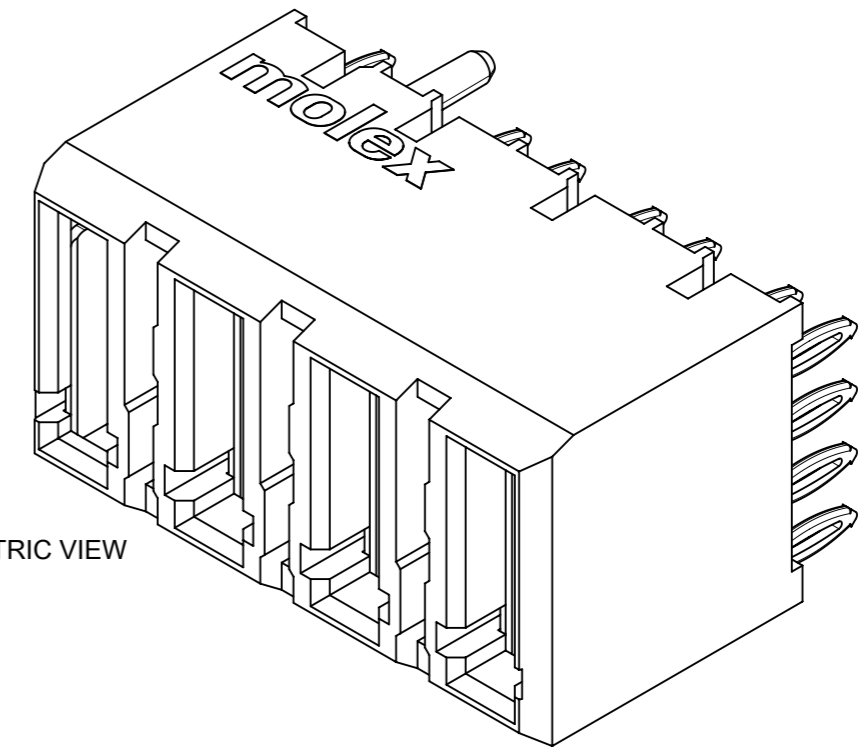
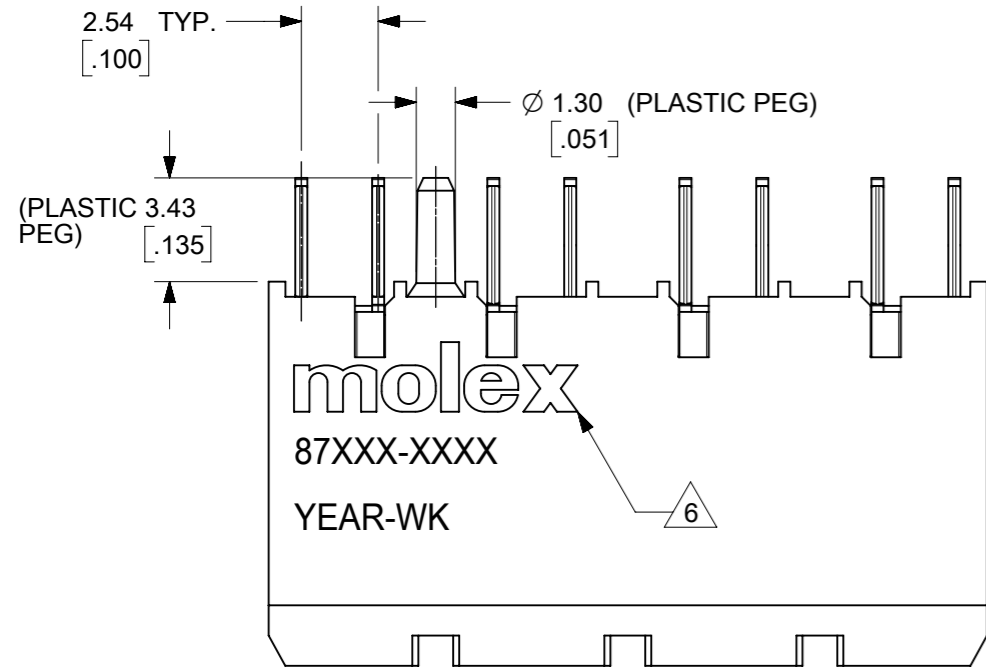
C

B

B

A

A



THIS DRAWING CONTAINS INFORMATION THAT IS PROPRIETARY TO MOLEX ELECTRONIC TECHNOLOGIES, LLC AND SHOULD NOT BE USED WITHOUT WRITTEN PERMISSION											
DIMENSION UNITS MM/INCH		SCALE NTS		CURRENT REV DESC: OBSOLETE PART NO						moLEX	
GENERAL TOLERANCES (UNLESS SPECIFIED)				EC NO: 625872							
				4 PLACES ±		±		DRWN: VLOKESHA		2019/09/06	
				3 PLACES ±		± 0.005		CHK'D: GB		2019/11/06	
				2 PLACES ±		0.13 ±		APPR: GGA		2019/11/12	
				1 PLACE ±		±		INITIAL REVISION:		DOCUMENT NUMBER	
				0 PLACES ±		±		DRWN: KMGH		2002/08/27	
				ANGULAR TOL ±		3.0°		APPR: SKTOH		2002/11/26	
DRAFT WHERE APPLICABLE MUST REMAIN WITHIN DIMENSIONS				THIRD ANGLE PROJECTION		DRAWING		SERIES		MATERIAL NUMBER	
				A3-SIZE		87680		SEE TABLE		GENERAL MARKET	
										CUSTOMER	
										SHEET NUMBER	
										1 OF 2	

10

9

8

7

6

5

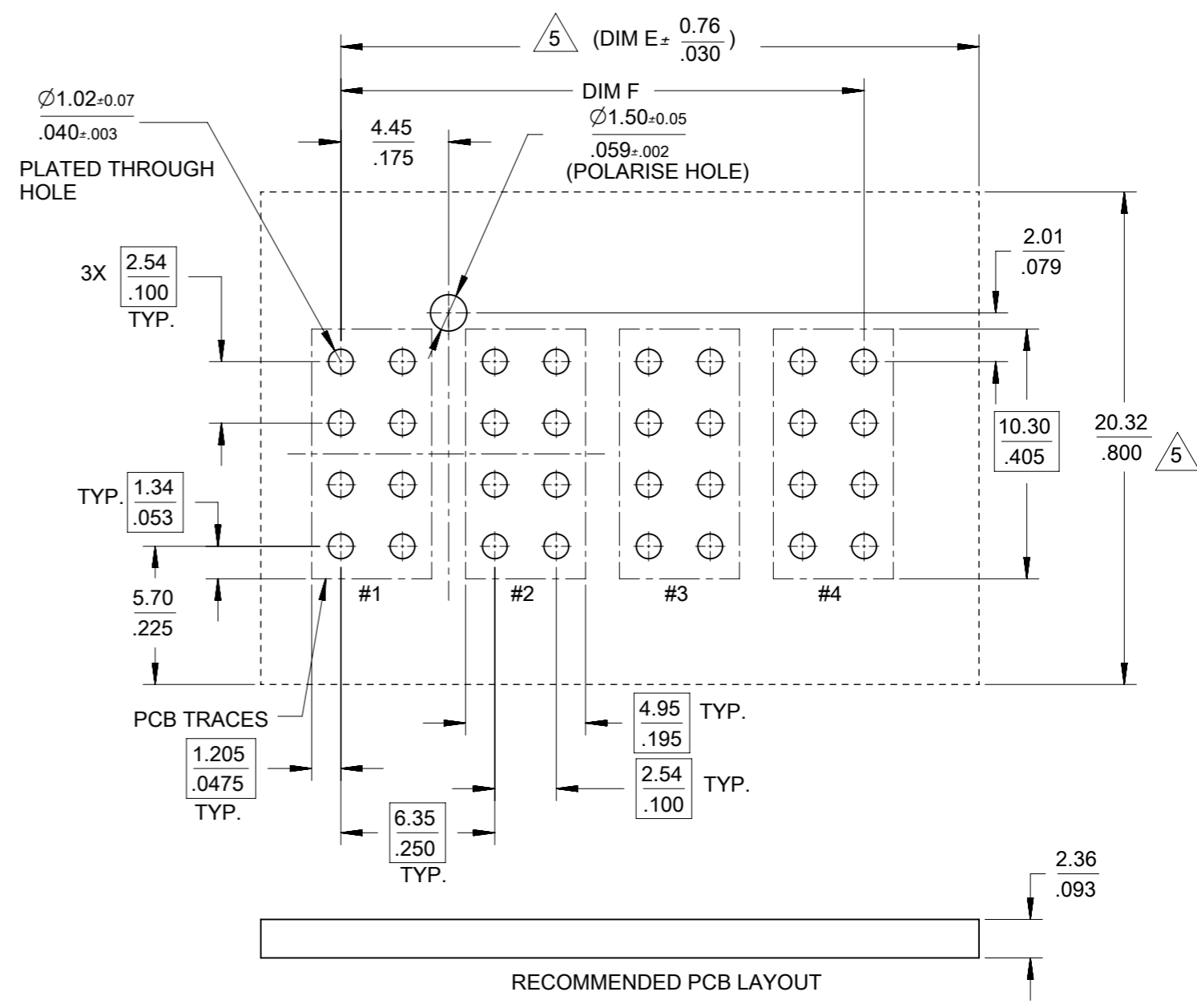
4

3

2

1

PART NUMBER	NUMBER OF POWER PINS	RECESSED POWER CIRCUIT #	DIM A	DIM B	DIM C	DIM D	DIM E	DIM F	PACKAGING	STATUS
87680-2001	2	2	$\frac{11.05}{.435}$	$\frac{6.35}{.250}$	$\frac{1.12}{.044}$	$\frac{2.39}{.094}$	$\frac{13.63}{.537}$	$\frac{8.89}{.350}$	TRAY	TOOLED



CONNECTOR - NOTES

- MATERIALS :
HOUSING - HIGH TEMPERATURE THERMO-PLASTIC, GLASS FILLED, UL94-0, COLOR:BLACK.
POWER PIN - COPPER ALLOY
 - PLATING :
POWER CONTACTS
0.76 MICROMETER MINIMUM GOLD (Au) AT CONTACT AREA AND
2.54 MICROMETER MINIMUM TIN AT SOLDER TAIL AREA
OVER 1.27µm MIN. NICKEL (Ni) UNDERPLATE.
 - PRODUCT SPECIFICATION: PS-87680-006.
 - PCB NOTE FOR DIAMETER 1.02/.040 PLATED HOLE.
- DRILLED HOLE SIZE IS 1.151/.0453
- PLATE WITH 0.007/.0003 MINIMUM TIN OVER 0.03/.001
TO 0.08/.003 COPPER PLATING TO ACHIEVE 1.02±0.08/.040±.003 HOLE.
SEE SHEET 2 FOR RECOMMENDED PCB LAYOUT.
5. COMPONENT STAY AWAY ZONE FROM CONNECTOR.
6. MANUFACTURER LOGO, PART NUMBER AND YEAR-WEEK CODE.

THIS DRAWING CONTAINS INFORMATION THAT IS PROPRIETARY TO MOLEX ELECTRONIC TECHNOLOGIES, LLC AND SHOULD NOT BE USED WITHOUT WRITTEN PERMISSION		CURRENT REV DESC: OBSOLETE PART NO		molex	
DIMENSION UNITS MM/INCH	SCALE NTS	EC NO: 625872			
GENERAL TOLERANCES (UNLESS SPECIFIED)		DRWN: VLOKESHA 2019/09/06		POWER CONN. RECEPTACLE POWER CONFIGURATION VERTICAL PRESS-FIT	
		CHK'D: GB 2019/11/06		PRODUCT CUSTOMER DRAWING	
		APPR: GGA 2019/11/12		DOCUMENT NUMBER	
		INITIAL REVISION:		SD-87680-010	
		DRWN: KMG0H 2002/08/27		DOC TYPE	
		APPR: SKTOH 2002/11/26		PSD	
ANGULAR TOL ± 3.0°		SERIES		DOC PART	
DRAFT WHERE APPLICABLE MUST REMAIN WITHIN DIMENSIONS		THIRD ANGLE PROJECTION		001	
		DRAWING		REVISION	
		A3-SIZE		E	
		MATERIAL NUMBER		SHEET NUMBER	
		87680		2 OF 2	
		CUSTOMER			
		GENERAL MARKET			