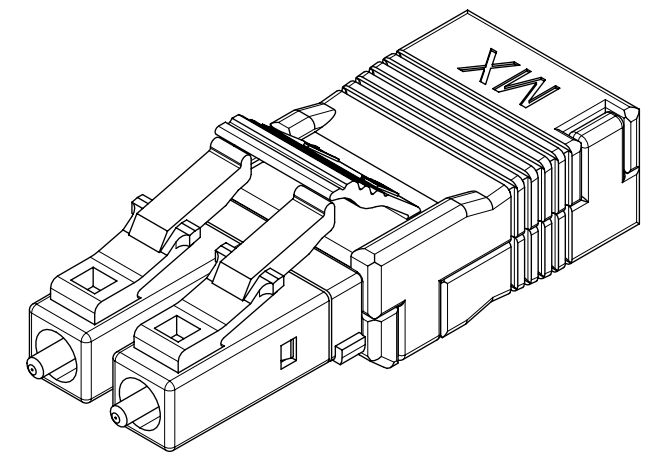
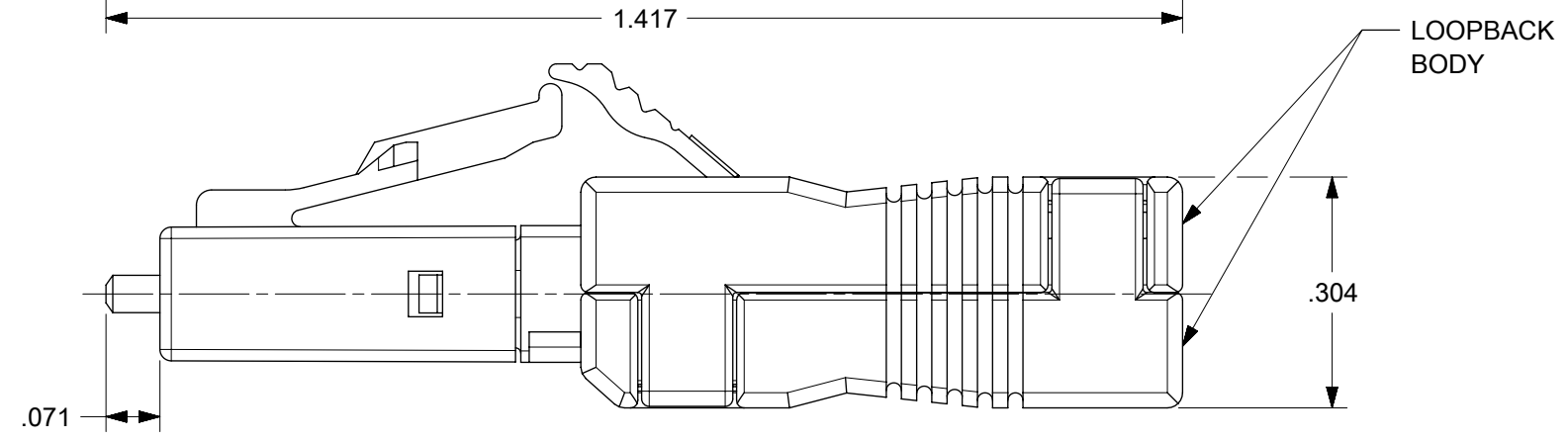
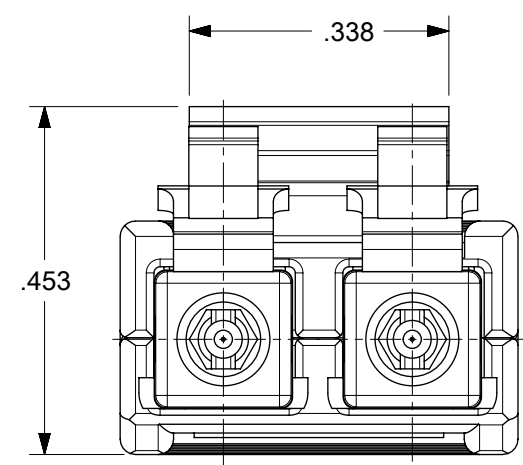
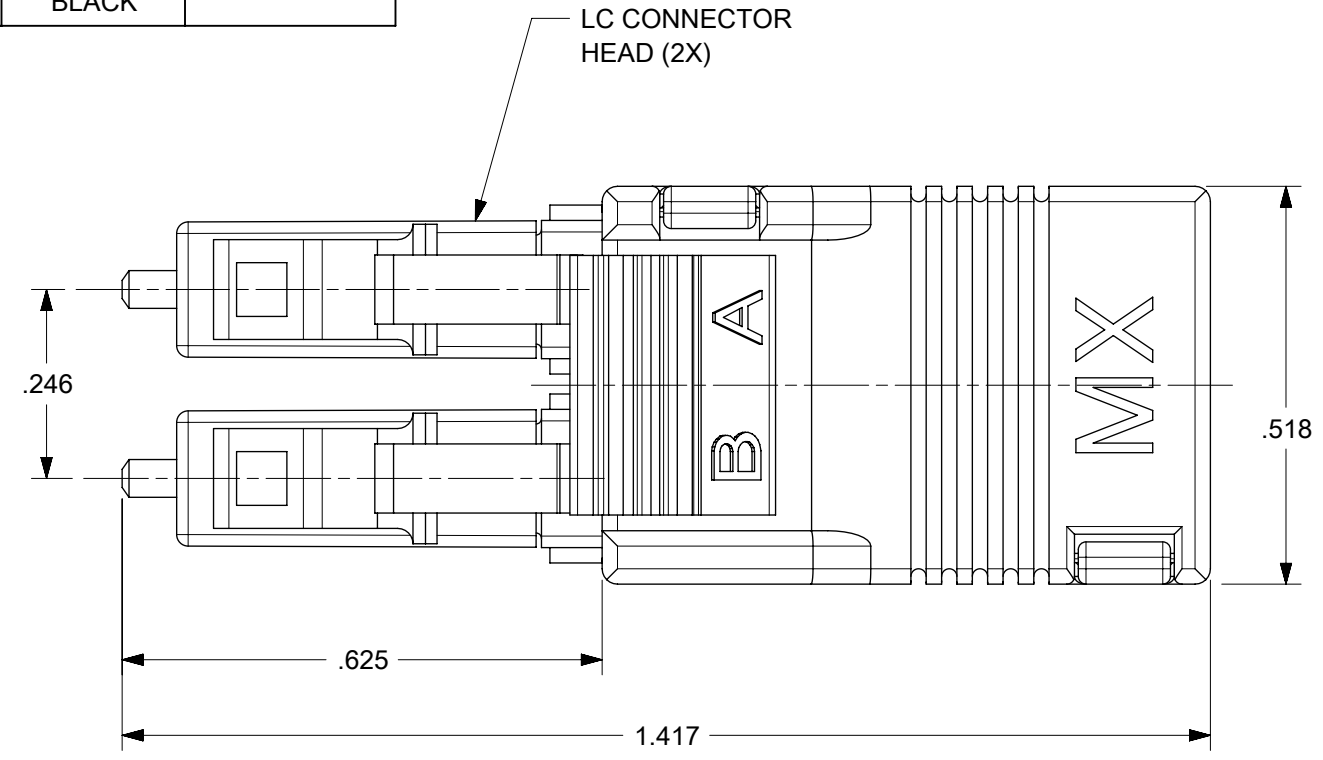


LOOPBACK P/N	∅D (µm)	∅d (µm)	LOOPBACK BODY COLOR	LC HEAD COLOR	CABLE TYPE
860252860	125.5	1.0	BLUE	BLUE	SINGLE MODE
860252870	127	3.0	BEIGE	BEIGE	MULTIMODE
860252880			BLACK	BEIGE	
860252890			BEIGE	BEIGE	
1060252871 ³			BEIGE	BEIGE	
1060252891			BLACK	BLACK	



SCALE: 2.5:1



- NOTES:
1. ALL DIMENSIONS ARE FOR REFERENCE ONLY.
 2. DUST CAPS ARE NOT SHOWN.
 3. P/N 1060252871 IS BULK PACKED IN QUANTITIES OF 100PCS.

THIS DRAWING CONTAINS INFORMATION THAT IS PROPRIETARY TO MOLEX ELECTRONIC TECHNOLOGIES, LLC AND SHOULD NOT BE USED WITHOUT WRITTEN PERMISSION																
DIMENSION UNITS	SCALE	CURRENT REV DESC:														
INCH	4:1															
GENERAL TOLERANCES (UNLESS SPECIFIED)		EC NO: 747900			LC LOOPBACK CONNECTOR											
ANGULAR TOL ± 0.5°		DRWN: IGUMIN 2023/04/12														
4 PLACES ±	CHKD: GGENCHANOK 2023/05/18			PRODUCT CUSTOMER DRAWING												
3 PLACES ±	APPR: GGENCHANOK 2023/05/18															
2 PLACES ±	INITIAL REVISION:			<table border="1"> <tr> <td>DOCUMENT NUMBER</td> <td>DOC TYPE</td> <td>DOC PART</td> <td>REVISION</td> </tr> <tr> <td>SD-86025-28Y0</td> <td>PSD</td> <td>001</td> <td>G1</td> </tr> </table>					DOCUMENT NUMBER	DOC TYPE	DOC PART	REVISION	SD-86025-28Y0	PSD	001	G1
DOCUMENT NUMBER	DOC TYPE	DOC PART	REVISION													
SD-86025-28Y0	PSD	001	G1													
1 PLACE ±	DRWN: BGRZEGOR 2003/09/24															
0 PLACES ±	APPR: IMAKHLIN 2003/09/24															
DRAFT WHERE APPLICABLE MUST REMAIN WITHIN DIMENSIONS	THIRD ANGLE PROJECTION	DRAWING	SERIES	MATERIAL NUMBER	CUSTOMER	SHEET NUMBER										
		B-SIZE	86025	SEE TABLE		1 OF 1										

DOCUMENT STATUS	P1	RELEASE DATE	2023/05/18	15:29:09
-----------------	----	--------------	------------	----------