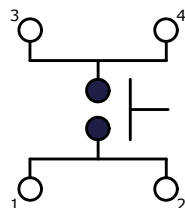
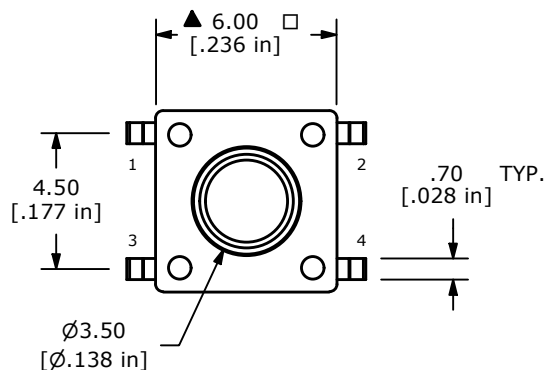


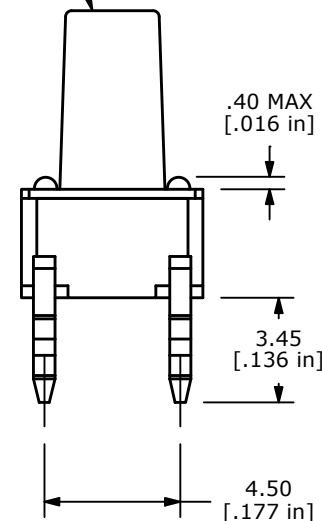
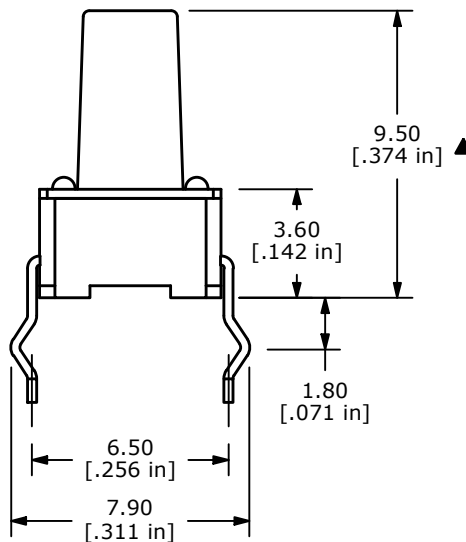
P.C.B. LAYOUT



CIRCUIT: SPST ▲



▲ ACTUATOR
COLOR: RED



NOTES:

1. ALL DIMENSIONS IN MM
2. GENERAL TOLERANCE: X.X=±0.4
X.XX=±0.25
3. TERM. NOS. FOR REFERENCE ONLY.
4. RATING: 12VDC, 50mA
- ▲ 5. OPERATING FORCE: 250 ± 50 gf
6. TRAVEL: 0.25mm +0.20/-0.10MM
7. CONTACT RESISTANCE: 100 MILLI OHMS MAX. (INITIAL)
8. MECHANICAL/ELECTRICAL LIFE 100,000 CYCLES MIN.
- ▲ 9. CONTACT MATERIAL: SILVER
10. ▲ DENOTES CRITICAL PARAMETER
11. OPERATING TEMP: -40°C TO 85°C



B	24546	CHANGED OPERATING TEMPERATURE	10/19/20	JM
A	xxxxx	REDRAWN	1/9/15	rc
REV	PCR NO	DESCRIPTION	DATE	BY

TITLE TL1105BF250Q				
SCALE	DATE	DR	DWG	REV
4:1	1/9/2015	RC	P010043	B

THE INFORMATION CONTAINED IN THIS DOCUMENT IS PROPRIETARY TO E-SWITCH AND IS NOT TO BE COPIED OR TRANSFERRED