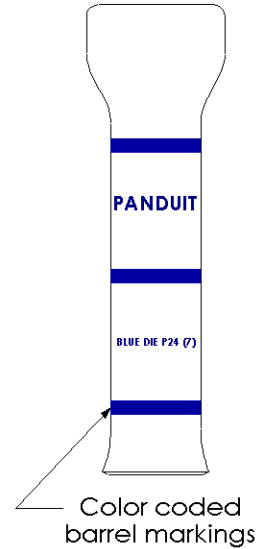
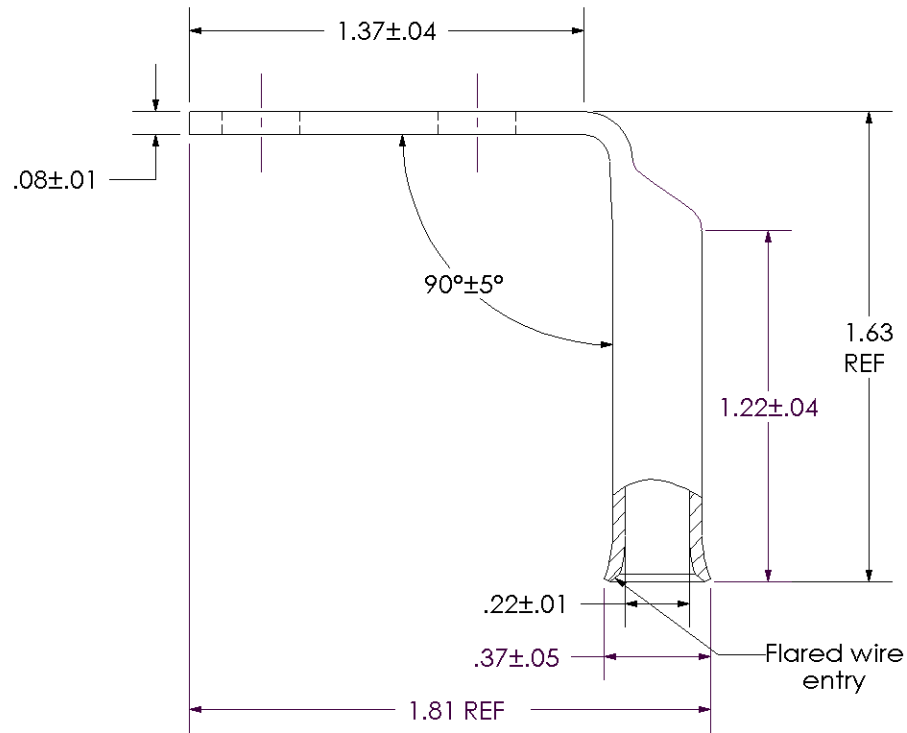
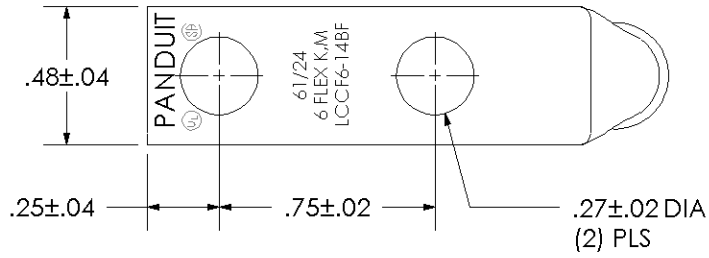


THIS COPY IS PROVIDED ON A RESTRICTED BASIS AND IS NOT TO BE USED IN ANY WAY DETRIMENTAL TO THE INTERESTS OF PANDUIT CORP.

Material	High Conductivity Seamless Copper Tube
Plating	Electro-Tin
Wire Size & Type	Stranded Copper Flex Cable; 6 AWG (61/24) Diesel Locomotive, 6 FLEX K,M Class K & Class M
Wire Strip Length	1-5/16 in.
Stud Size	1/4 in.
UL Listed Wire Connector	Yes, for applications up to 35kv. Consult cable manufacturer for voltage stress relief instructions with applications greater than 2000 volts.
UL Temperature Rating	90° C
C.S.A Certified Wire Connector	Yes
Panduit Color Code on Barrel	BLUE
Panduit Die Index No. on Barrel	P24
Alternate Industry Die Index No. () on Barrel	(7)



LISTED Wire Connector



00	9/02	SAB	DRL	RELEASED	10338
REV	DATE	BY	CHK	DESCRIPTION	ECN

PANDUIT CORP. TINLEY PARK, ILLINOIS

LCCF6-14BF-L
Copper Lug - Two-Hole, Flared Barrel, 90° Angle Tongue

SCALE N/A

DRAWING NO / CAD FILE

LCCF6-14BF-CUST