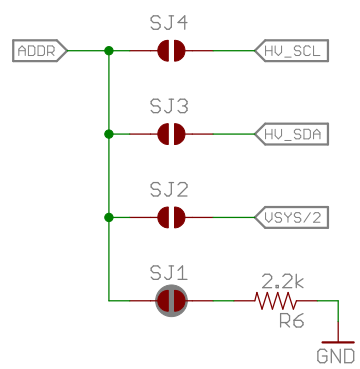


Note: Bus Selection Default to I2C-1



I2C Address can be set by jumpers.  
 \*\*One and only one jumper should be closed.\*\*  
 Jumper closed Device address  
 SJ1 (Default) 1001000 (0x48)  
 SJ2 1001001 (0x49)  
 SJ3 1001010 (0x4A)  
 SJ4 1001011 (0x4B)



Released under the Creative Commons Attribution Share-Alike 4.0 License <a href="https://creativecommons.org/licenses/by-sa/4.0/">https://creativecommons.org/licenses/by-sa/4.0/</a>		⊗ ⊗ ⊗ ⊗
TITLE: ADC_Block		
Design by: Hord	Revised 3/15 - Casey K. Revised 10/15 - Shawn Hymel	REV: v21
Date: not saved!		Sheet: 1/2