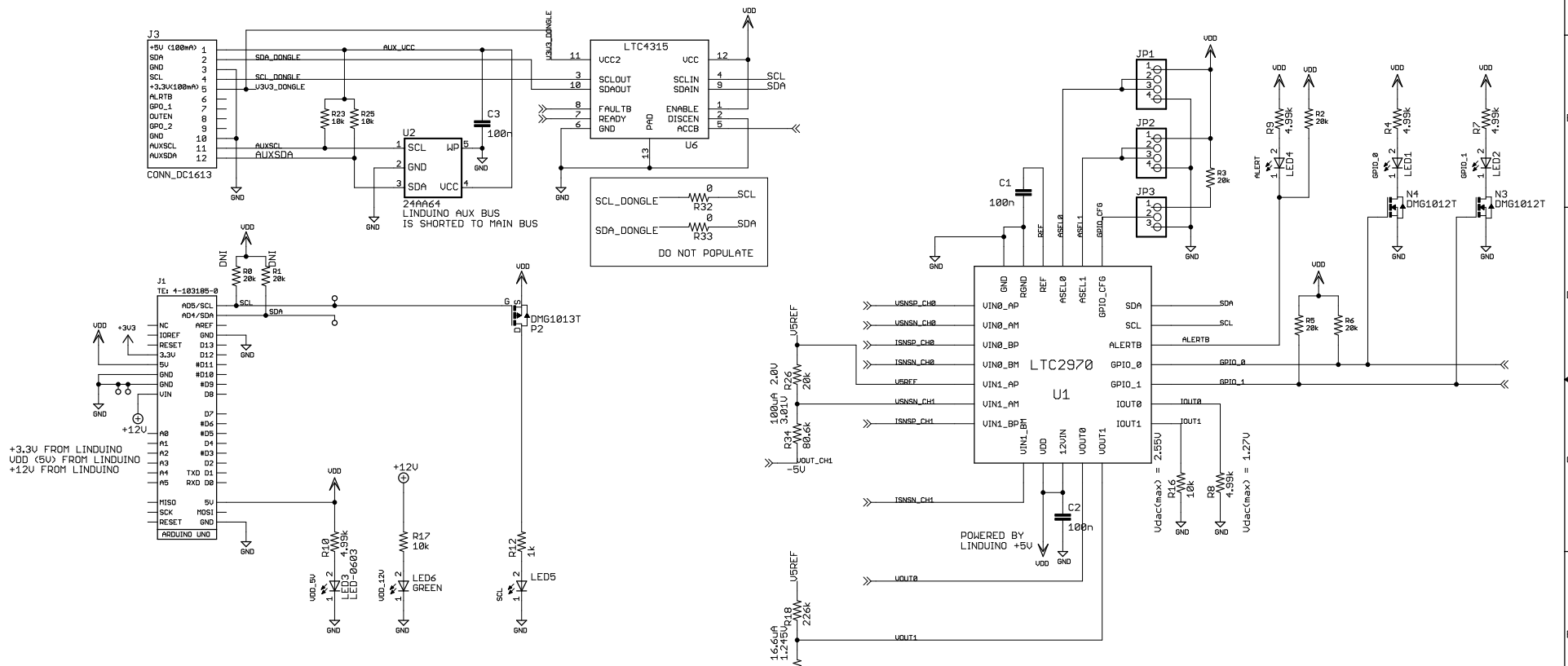


REVISION HISTORY				
ECCO	REV	DESCRIPTION	APPROVED	DATE



SCL_DONGLE
SDA_DONGLE
DO NOT POPULATE

+3.3V FROM LINDUINO
VDD (5V) FROM LINDUINO
+1.2V FROM LINDUINO

CUSTOMER NOTICE

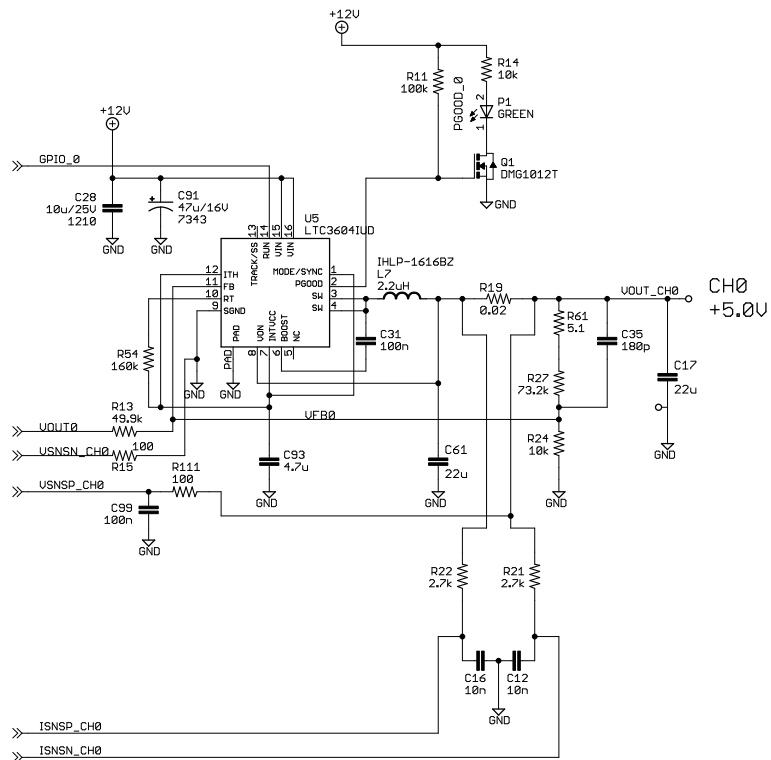
LINEAR TECHNOLOGY HAS MADE A BEST EFFORT TO DESIGN A CIRCUIT THAT MEETS CUSTOMER-SUPPLIED SPECIFICATIONS; HOWEVER, IT REMAINS THE CUSTOMER'S RESPONSIBILITY TO VERIFY PROPER AND RELIABLE OPERATION IN THE ACTUAL APPLICATION. COMPONENT SUBSTITUTION AND PRINTED CIRCUIT BOARD LAYOUT MAY SIGNIFICANTLY AFFECT CIRCUIT PERFORMANCE OR RELIABILITY. CONTACT LINEAR TECHNOLOGY APPLICATIONS ENGINEERING FOR ASSISTANCE.

THIS CIRCUIT IS PROPRIETARY TO LINEAR TECHNOLOGY AND SUPPLIED FOR USE WITH LINEAR TECHNOLOGY PARTS

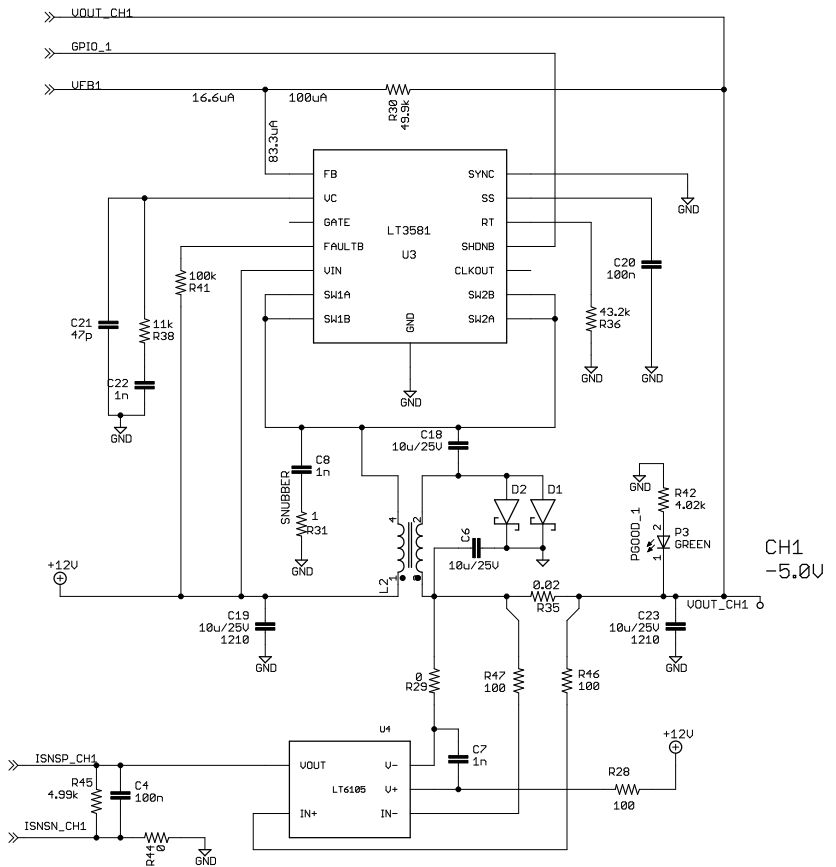
APPROVALS			1630 McCarthy Blvd. Milpitas, CA 95035 Phone (408) 432-1980 Fax (408) 434-9957 www.linear.com	LTC CONFIDENTIAL FOR CUSTOMER USE ONLY
PCB DES.	N. ENGER			
APP ENG.	N. ENGER	TITLE: LTC2970 LINDUINO SHIELD WITH LT3581 and LTC3604		
SIZE	B	IC NO.	LTC2970	REV: A
SCALE	NONE	DATE:	6/14/16 8:49 AM	SHEET: 1/2

REVISION HISTORY				
ECO	REV	DESCRIPTION	APPROVED	DATE
-	-	-	-	-

Power Stage CH0 +5V



Power Stage CH1 -5V



CUSTOMER NOTICE		APPROVALS			1630 McCarthy Blvd. Milpitas, CA 95035 Phone (408) 432-1900 Fax (408) 434-9957 www.linear.com	LTC CONFIDENTIAL FOR CUSTOMER USE ONLY
LINEAR TECHNOLOGY HAS MADE A BEST EFFORT TO DESIGN A CIRCUIT THAT MEETS CUSTOMER-SUPPLIED SPECIFICATIONS; HOWEVER, IT REMAINS THE CUSTOMER'S RESPONSIBILITY TO VERIFY PROPER AND RELIABLE OPERATION IN THE ACTUAL APPLICATION. COMPONENT SUBSTITUTION AND PRINTED CIRCUIT BOARD LAYOUT MAY SIGNIFICANTLY AFFECT CIRCUIT PERFORMANCE OR RELIABILITY. CONTACT LINEAR TECHNOLOGY APPLICATIONS ENGINEERING FOR ASSISTANCE. THIS CIRCUIT IS PROPRIETARY TO LINEAR TECHNOLOGY AND SUPPLIED FOR USE WITH LINEAR TECHNOLOGY PARTS.		PCB DES.	N. ENGER			
		APP ENG.	N. ENGER	SIZE	IC NO.	REV:
				B	LTC2970	
		SCALE = NONE	DATE: 6/14/16 8:49 AM			SHEET: 2/2