



CAB411RF: MMCX R/A PLUG + S/S SMA FEMALE STRAIGHT BULKHEAD JACK W/O-RING RATED TO IP68/69K + RG178 CABLE

SPECIFICATIONS :

1. MMCX RIGHT ANGLE PLUG, GOLD PLATED, P/N: RFCT-MMCX003-M78.
2. COAXIAL CABLE, SEE P/N OPTIONS FOR DETAIL.
3. SMA STRAIGHT BULKHEAD JACK W/O-RING, W/SUS303 STAINLESS STEEL BODY, TESTED TO IP68/69K, P/N: RFCT-SMA061-F78 (WITH SILICON O-RING) OR RFCT-SMA061-F78-1 (WITH EPDM O-RING).

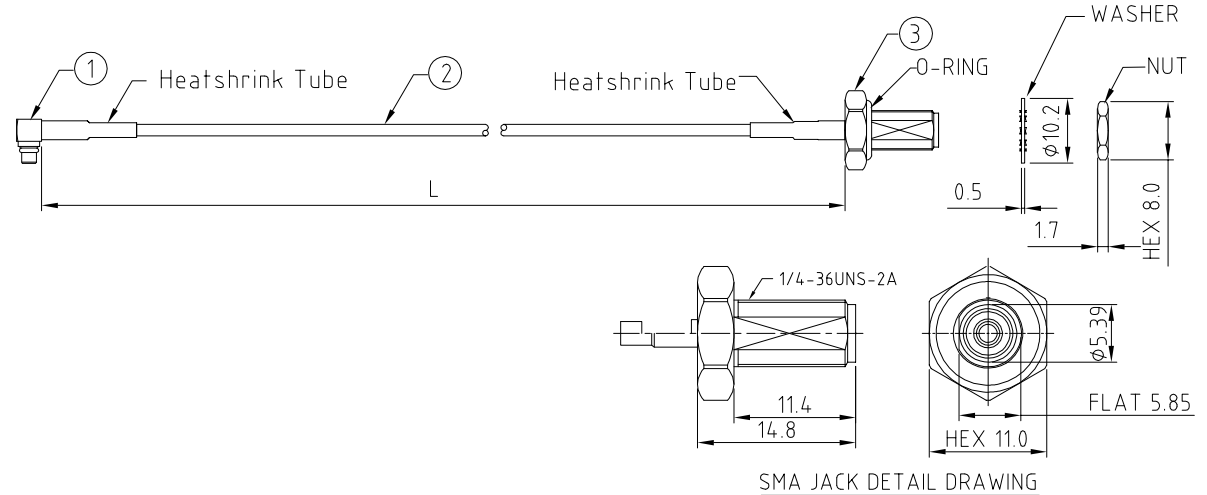
USAGE PRECAUTIONS: CABLES USING 'MICRO' COAX ARE DELICATE:
 (i) HANDLE WITH CARE.
 (ii) DO NOT TWIST; APPLY EXCESSIVE FORCES OR SHARP BENDS TO THE CABLE. DO NOT FORCEFULLY DEFORM WIRES.
 (iii) CONSULT CONNECTOR MANUFACTURER'S DATASHEETS FOR DETAILED NOTES ON HANDLING INSTRUCTIONS.

ENVIRONMENTAL:

- A. BULKHEAD MOUNTED CONNECTOR (RFCT-SMA061-F78) TESTED TO THE FOLLOWING SPECIFICATION:
- i. IP6X - DUST TIGHT - NO PARTICLE INGRESS.
 - ii. IPX8 WATERPROOF FOR 48 HOURS AT 1 METER UNDERWATER.
 - iii. IPX9K WATER SPRAY, 14-16L PER MINUTE, AT 8,000-10,000 KPA, AT 100-150MM DISTANCE FOR 30 SECONDS.

NOTES:

1. THE ORIENTATION OF CONNECTORS ON DRAWING IS FOR REFERENCE ONLY, IF THE ORDER IS LEFT BLANK THE CONNECTOR WILL NOT HAVE FIXED ORIENTATION.
2. FIXED ORIENTATION IS SUGGESTED FOR CABLE LENGTH 50MM TO 100MM. PLEASE SPECIFY THE FIXED ORIENTATIONS FROM THE ORDER CODE (F1, F2, ETC)
3. CONTACT GRADCONN IF THE ORIENTATION YOU REQUIRE IS NOT SHOWN.
4. WORKING FREQUENCY RANGE: DC-3GHz.
5. OPERATING TEMPERATURE: -40°C TO +125°C
6. IMPEDANCE: 50 OHM
7. IF THE CONNECTOR IS USED IN A CORROSIVE ENVIRONMENT, WE RECOMMEND THE CONNECTOR FACE IS PROTECTED WITH A STAINLESS STEEL DUST CAP.
8. PLEASE USE THE RECOMMENDED TORQUE FORCES FOR STAINLESS STEEL CONNECTORS. THIS IS PUBLISHED ON GRADCONN.COM RESOURCES PAGE.



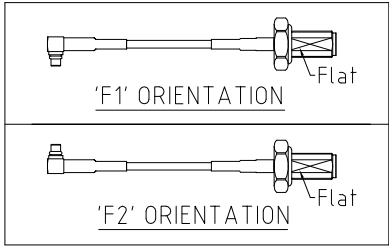
HOW TO ORDER
 CAB411RF - X X X X - X X - X - 1 - X

"L" LENGTH IN MM:
 eg: 100MM = 0100
 (MIN. 0050-MAX.0400)
 STANDARD = 0100, 0150, 0200
 Tolerance: 50mm: ±2mm.
 51-200mm: ±5mm.
 201-400mm: ±7mm.

O-RING MATERIAL OPTIONS:
 S = SILICON, RED (STANDARD)
 E = EPDM, BLACK

WASHER AND NUT OPTIONS:
 BLANK = SEPARATELY PACKED (STANDARD)
 A = ALL ASSEMBLED WITH CONNECTOR

ORIENTATION OPTIONS:
 BLANK = DOES NOT HAVE A FIXED ORIENTATION
 F1 = MMCX CONNECTION DOWN (L=50-200MM)
 F2 = MMCX CONNECTION UP (L=50-200MM)
 (SEE NOTES 1, 2, 3 AND DIAGRAMS FOR MORE INFORMATION)



10	22/06/20 - NYW RELEASE
11	30/06/20 - NYW AMEND O-RING ORDERING CODES
12	28/09/20 - NYW UPDATE P/N NUMBERING
13	ADD IPX9K TESTING INFO
14	27/04/21 - NYW ADD NOTE 7
15	05/07/21 - NYW AMEND NOTE 8
16	21/07/22 - NYW AMEND NOTE 8

Scale: NTS	THIRD ANGLE	Unstated: .X .XX .XXX ANGLES	Tolerances: N/A N/A N/A N/A
Drawn: NYW			
App'd: XXX	Title: CABLE ASSEMBLY		
Date: 21 DEC '22	Revision: 1.6	Unit: mm	

IP67/68 Rated Cables

www.gradconn.com

Drawing Number: CAB411RF	
Sheet 1	of 1
Drawing	E and O E