

LAYOUT SHOWN AS EXAMPLE

Keying Shown as example

**CHARACTERISTICS**

- Standard : Based on MIL-DTL-38999 Series III
- Shell Material : Aluminium
- Shell Plating : Nickel
- Insulator : Thermoplastic
- Contacts : Copper Alloy
- Seals & Grommet : Silicon Elastomer
- Contact Plating : Gold over copper Alloy 0.8µm minimum
- Durability : 500 Mating cycles
- Delivered without Souriau contacts
- Temperature Range : -65°C to +200°C
- Salt Spray : 48 hours
- Mass : 35.19 g ± 10%

| Connector dimension |               |
|---------------------|---------------|
| Dim                 | Nominal       |
| P                   | 3.91±0.2      |
| PP                  | 6.15±0.2      |
| R1                  | 34.93         |
| R2                  | 31.75         |
| S                   | 42.9±0.3      |
| V                   | 20.07+0/-1.25 |
| W                   | 2.1/3.2       |
| Z                   | 31.5 Max      |
| VV THREAD           | M34x1-6g      |

SOURIAU shall not be liable for any non-conformity or damage due to a use of the Products which does not comply with the Specifications issued by either of the Parties or by a third party (professional recommendation, technical notice.)

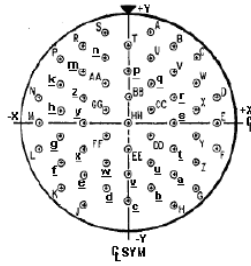
| Country | Jurisdiction & Control List |
|---------|-----------------------------|
| FR      | Not Listed                  |

**PN: 8D023F53PCL**

|              |   |                                |   |
|--------------|---|--------------------------------|---|
| A            | 22-09-2016  | First Release                  |   |
| ISS          | DATE  | Latest modification - by       | MOD N°  |
| Designed By: |   | Date:                          | <b>CUSTOMER DRAWING</b>   |
| <b>TITLE</b> | <b>Aluminium Receptacle 8D series</b>                               |                                |   |
| SCALE        |   | General linear Tolerances: ±-- | NPRDS / PROJECT<br><b>859</b>   |
| NA           | <b>SOURIAU</b> <a href="http://WWW.SOURIAU.COM">WWW.SOURIAU.COM</a> |                                | This document is the property of SOURIAU it must not be reproduced or communicated without permission |
| FORMAT       | <b>A3</b>   |                                | <b>SOURIAU DRG N° 8D023F53PCL-C</b> SHEET 1/2   |

|               |                            |   |   |    |   |    |   |   |   |                                 |
|---------------|----------------------------|---|---|----|---|----|---|---|---|---------------------------------|
| BASIC SERIES: | 8D                         | 0 | - | 23 | F | 53 | P | C | L | Delivered W/O Contacts          |
| SHELL TYPE    | : Square Flange Receptacle |   |   |    |   |    |   |   |   | ORIENTATION : C                 |
| CONTACT TYPE  | : Standard Crimp Contact   |   |   |    |   |    |   |   |   | CONTACT TYPE : PIN(500 Matings) |
| SHELL SIZE    | : 23                       |   |   |    |   |    |   |   |   | CONTACT LAYOUT : 23-53          |
| PLATING       | : F = Nickel               |   |   |    |   |    |   |   |   |                                 |

Contact Layout

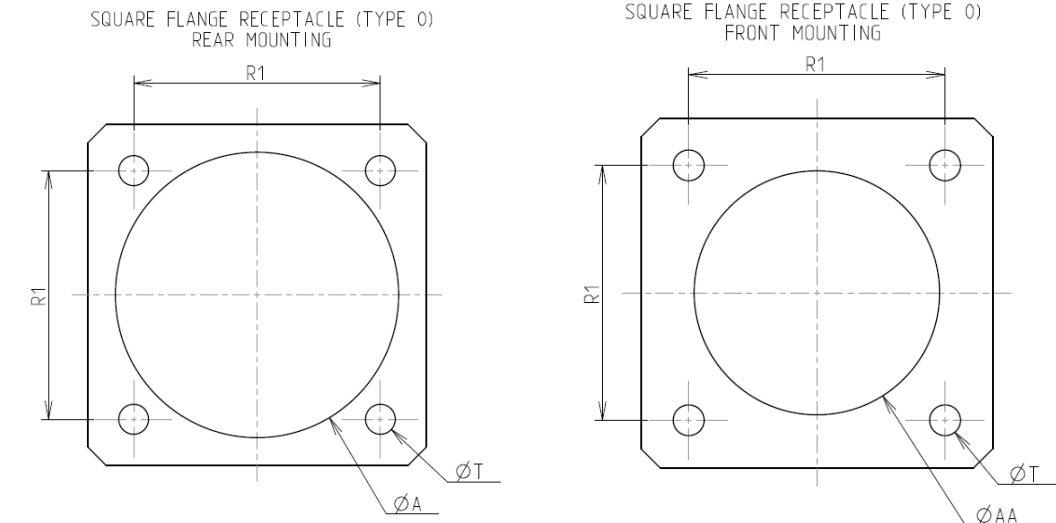


| Contacts<br>(Insert arrangement 23-53) |              |              |                     |             |             |
|--|--------------|--------------|---------------------|-------------|-------------|
| Contact position ID                    | Location     |              | Contact position ID | Location    |             |
|  | X-axis (mm)  | Y-axis (mm)  |                     | X-axis (mm) | Y-axis (mm) |
| A                                      | +112 (2.84)  | +455 (11.56) | e                   | -225 (5.72) | -260 (6.60) |
| B                                      | +225 (5.72)  | +390 (9.91)  | f                   | -336 (8.53) | -195 (4.95) |
| C                                      | +336 (8.53)  | +325 (8.26)  | g                   | -336 (8.53) | -065 (1.65) |
| D                                      | +450 (11.43) | +130 (3.30)  | h                   | -336 (8.53) | +065 (1.65) |
| E                                      | +450 (11.43) | +000 (0.00)  | k                   | -336 (8.53) | +195 (4.95) |
| F                                      | +450 (11.43) | -130 (3.30)  | m                   | -225 (5.72) | +260 (6.60) |
| G                                      | +336 (8.53)  | -325 (8.26)  | n                   | -112 (2.84) | +325 (8.26) |
| H                                      | +225 (5.72)  | -410 (10.41) | p                   | +000 (0.00) | +260 (6.60) |
| J                                      | -225 (5.72)  | -410 (10.41) | q                   | +112 (2.84) | +195 (4.95) |
| K                                      | -336 (8.53)  | -325 (8.26)  | r                   | +225 (5.72) | +130 (3.30) |
| L                                      | -450 (11.43) | -130 (3.30)  | s                   | +225 (5.72) | +000 (0.00) |
| M                                      | -450 (11.43) | +000 (0.00)  | t                   | +225 (5.72) | -130 (3.30) |
| N                                      | -450 (11.43) | +130 (3.30)  | u                   | +112 (2.84) | -195 (4.95) |
| P                                      | -336 (8.53)  | +325 (8.26)  | v                   | +000 (0.00) | -260 (6.60) |
| R                                      | -225 (5.72)  | +390 (9.91)  | w                   | -112 (2.84) | -195 (4.95) |
| S                                      | -112 (2.84)  | +455 (11.56) | x                   | -225 (5.72) | -130 (3.30) |
| T                                      | +000 (0.00)  | +390 (9.91)  | y                   | -225 (5.72) | +000 (0.00) |
| U                                      | +112 (2.84)  | +325 (8.26)  | z                   | -225 (5.72) | +130 (3.30) |
| V                                      | +225 (5.72)  | +260 (6.60)  | AA                  | -112 (2.84) | +195 (4.95) |

| Contacts<br>(Insert arrangement 23-53) |             |             |                     |             |             |
|--|-------------|-------------|---------------------|-------------|-------------|
| Contact position ID                    | Location    |             | Contact position ID | Location    |             |
|  | X-axis (mm) | Y-axis (mm) |                     | X-axis (mm) | Y-axis (mm) |
| W                                      | +336 (8.53) | +195 (4.95) | BB                  | +000 (0.00) | +130 (3.30) |
| X                                      | +336 (8.53) | +065 (1.65) | CC                  | +112 (2.84) | +065 (1.65) |
| Y                                      | +336 (8.53) | -065 (1.65) | DD                  | +112 (2.84) | -065 (1.65) |
| Z                                      | +336 (8.53) | -195 (4.95) | EE                  | +000 (0.00) | -130 (3.30) |
| a                                      | +225 (5.72) | -260 (6.60) | FF                  | -112 (2.84) | -065 (1.65) |
| b                                      | +112 (2.84) | -325 (8.26) | GG                  | -112 (2.84) | +065 (1.65) |
| c                                      | +000 (0.00) | -390 (9.91) | HH                  | +000 (0.00) | +000 (0.00) |
| d                                      | -112 (2.84) | -325 (8.26) | ---                 | ---         | ---         |

| Shell size | Arrangement no. | Number of contacts | Size contacts | Service rating | Contact location | Supersedes |
|------------|-----------------|--------------------|---------------|----------------|------------------|------------|
| 23         | -53             | 53                 | 20            | I              | All              | MS20056-53 |

Panel Cutout



| Dim | Nominal    |
|-----|------------|
| ØA  | 39.29 min  |
| ØAA | 34.93 min  |
| R1  | 34.93      |
| ØT  | 3.91 ±0.13 |

SOURIAU shall not be liable for any non-conformity or damage due to a use of the Products which does not comply with the Specifications issued by either of the Parties or by a third party (professional recommendation, technical notice.)

| Country | Jurisdiction & Control List |
|---------|-----------------------------|
| FR      | Not Listed                  |

PN: 8D023F53PCL

|                |                      |   |                         |
|----------------|----------------------|---|-------------------------|
| A              | 22-09-2016           | First Release   |                         |
| ISS            | DATE                 | Latest modification - by  | MOD N°                  |
| Designed By:   |                      | Date:   | <b>CUSTOMER DRAWING</b> |
| <b>TITLE</b>   |                      | Aluminium Receptacle 8D series  |                         |
| SCALE          |                      | General linear Tolerances:  | NPRDS / PROJECT         |
| NA             |                      | ±--   | <b>859</b>              |
| <b>SOURIAU</b> |                      | WWW.SOURIAU.COM   |                         |
|                |                      | This document is the property of SOURIAU it must not be reproduced or communicated without permission |                         |
| FORMAT         | SOURIAU DRG N°       |   | SHEET                   |
| <b>A3</b>      | <b>8D023F53PCL-C</b> |   | <b>2/2</b>              |