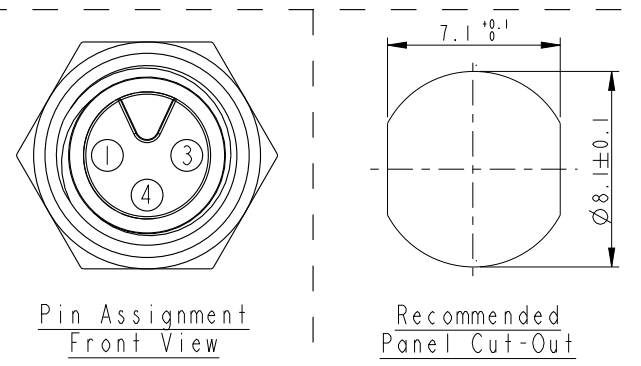
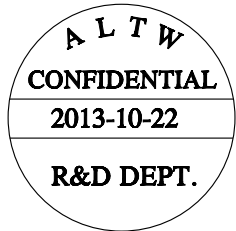
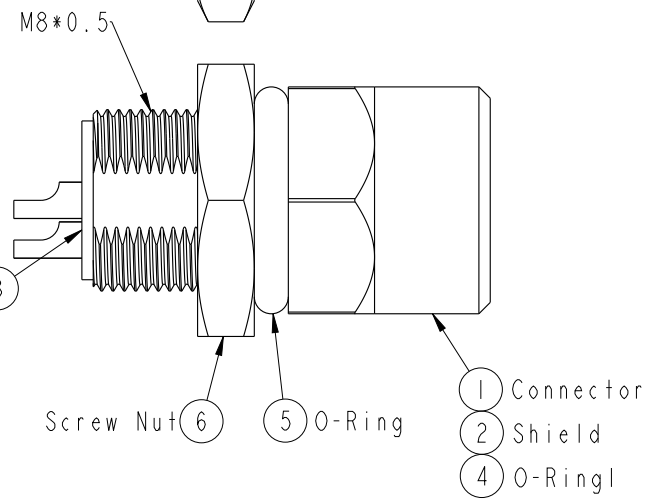
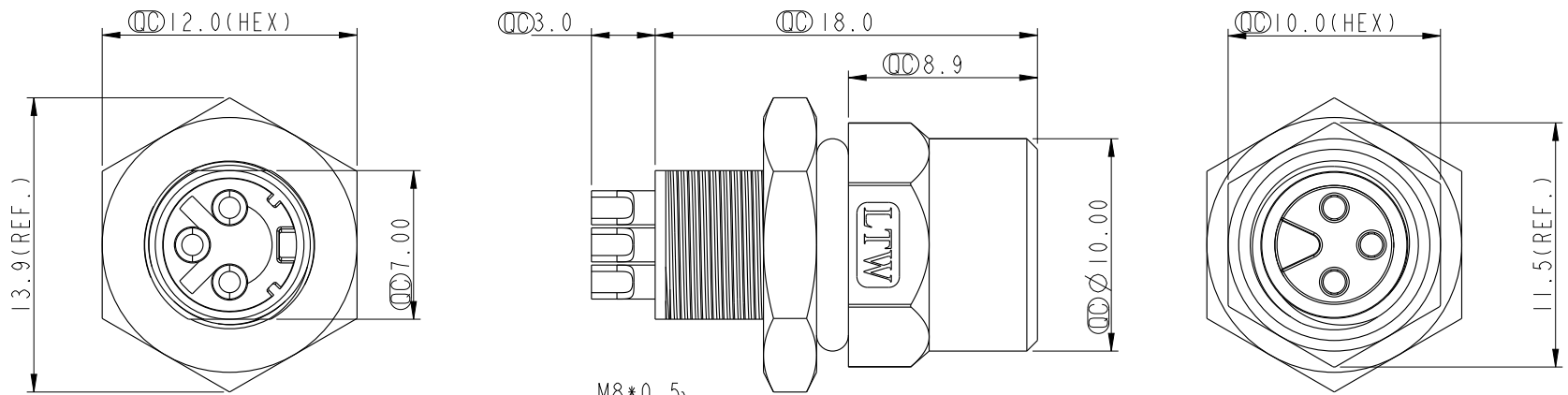


THIS DOCUMENT IS SUBJECT TO CHANGE WITHOUT NOTICE. IT IS CONFIDENTIAL AND A PROPERTY OF AMPHENOL LTW. DISCLOSURE TO THIRD PARTY HAS TO BE AUTHORIZED BY AMPHENOL LTW.

REV.	ECN NO.	DATE	SIGN	DESCRIPTION



Note:
 * \varnothing Important Dimension.
 * Waterproof Rate: IP67.
 * Housing: Nylon+GF, Black.
 * Female Pin: Copper Alloy, Gold Plated.
 * Shield: Zinc Alloy, Nickel Plated.
 * Screw Nut: Copper Alloy, Nickel Plated.
 * O-Ring1: Viton, Green.
 * O-Ring2: EPDM, Black.
 * For Panel Thickness Max 4.5mm.
 * Nut Torque: 4~6 kgf.cm.

UNIT:mm		TITLE		<h1>Amphenol LTW</h1> <p>安費諾亮泰企業股份有限公司</p>	ITEM NO	DRAWN BY	DATE
		M8 3Pin Panel F Conn. F Pin			8A-03PFFS-SH7001	Tony_leng	2013-10-22
TOLERANCE		SCALE	SIZE	SHEET	DWG NO	CHECKED BY	DATE
.X ±0.25		3:1	A4	1 OF 1	8A-03PFFS-SH7001	Jimmy	2013-10-22
.XX ±0.1		REV.	WC-REV.		CUSTOMER	APPROVED BY	DATE
.XXX ±0.05		A	A.1		ALTW	Jerry	2013-10-22
ANGLES ±1°		Inspection item					