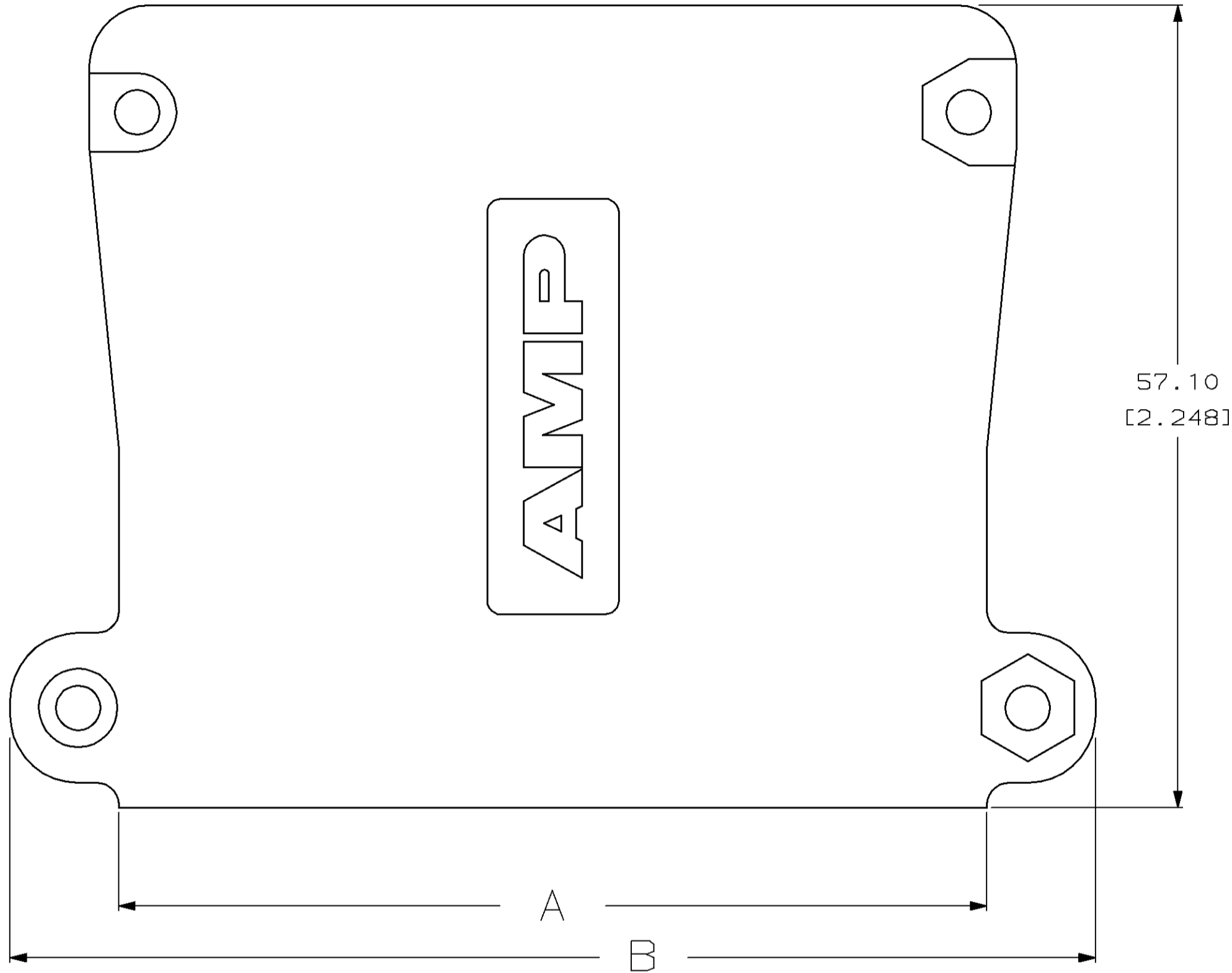
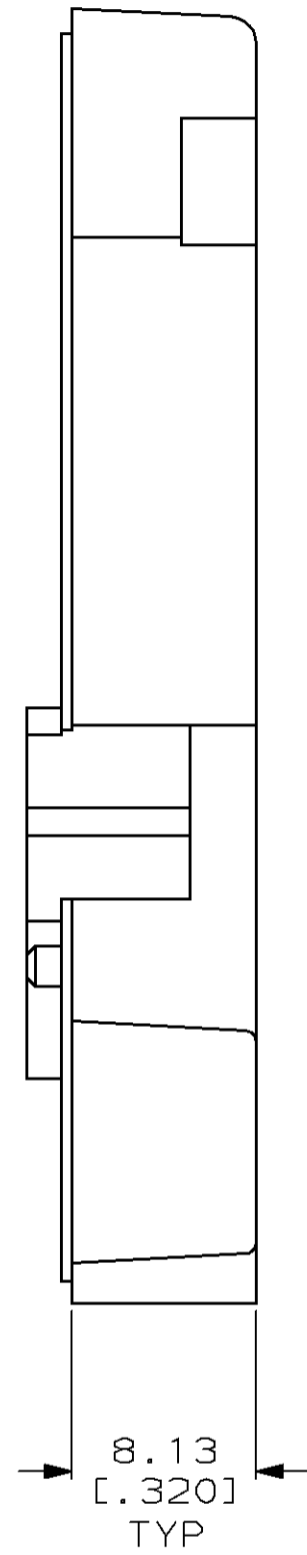
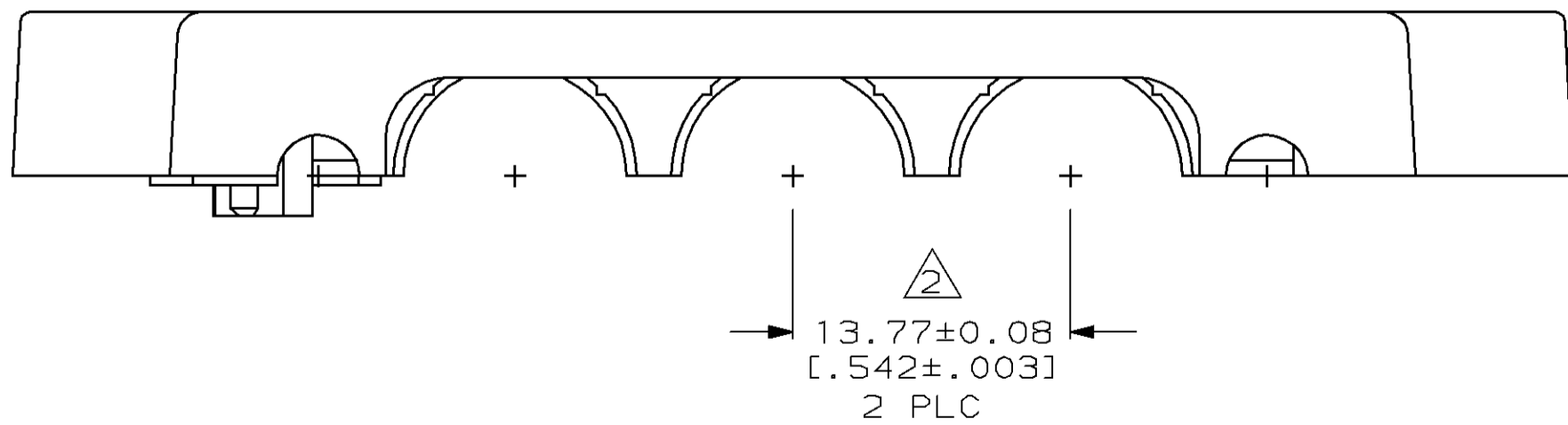


THIS DRAWING IS UNPUBLISHED. RELEASED FOR PUBLICATION
 BY AMP INCORPORATED. ALL RIGHTS RESERVED.

LOC	DIST	REVISIONS			
P	LTR	DESCRIPTION	DATE	DWN	APVD
FT	38	0	RELEASED	27 MAY 97	-



- ① BRIGHT NICKEL OVER BRIGHT COPPER.
- ② 788089-4 HAS ONLY ONE CABLE EXIT.



77.22 [3.040]	61.75 [2.431]	3	788089-6
63.50 [2.500]	48.03 [1.891]	2	788089-5
55.17 [2.172]	39.70 [1.563]	1	② 788089-4
B	A	SHELL SIZE	PART NUMBER

THIS DRAWING IS A CONTROLLED DOCUMENT.

DWN W.G.LENKER 27 MAY 97	AMP Incorporated Harrisburg, PA 17105-3608					
CHK R.STONE 27 MAY 97						
APVD G.D.MILLER 29 MAY 97						
NAME BACKSHELL, SIZES 1-3, 180°, AMPLIMITE™						
DIMENSIONS: mm [INCH]	TOLERANCES UNLESS OTHERWISE SPECIFIED:	PRODUCT SPEC 108-40032-1	SIZE A2	CAGE CODE 00779	DRAWING NO C=788089	RESTRICTED TO
0 PLC ±-	1 PLC ±-	2 PLC ±0.13 [0.005]	3 PLC ±-	4 PLC ±-	ANGLES ±-	FINISH ①
MATERIAL ABS	FINISH ①	WEIGHT -	CUSTOMER DRAWING	SCALE 3:1	SHEET 1 OF 1	REV 0

788089

A