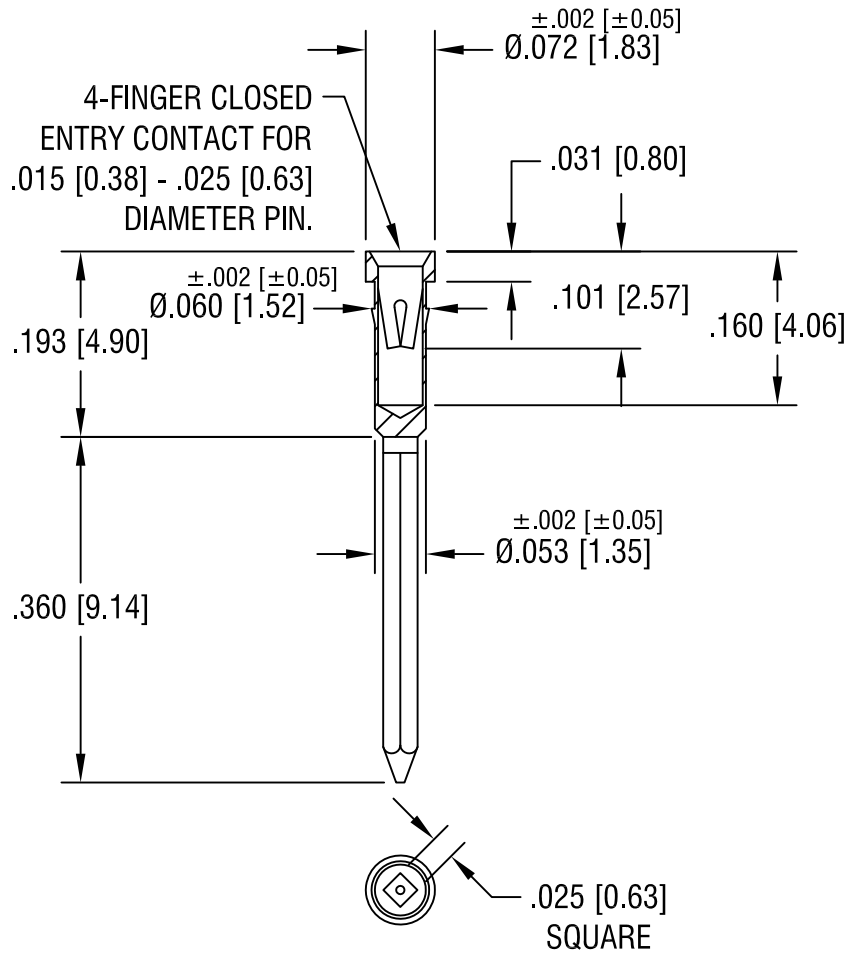


THIS DOCUMENT IS THE PROPERTY OF  
KEYSTONE ELECTRONICS CORP. AND  
SHALL NOT BE REPRODUCED, DISTRIBUTED  
OR USED AS A BASIS FOR MANUFACTURE  
WITHOUT PRIOR WRITTEN PERMISSION  
FROM KEYSTONE ELECTRONICS CORP.

ACTUAL SIZE



NOTES:

- BODY: MAT'L - BRASS, TIN-LEAD PLATE  
SPRING CONTACT: MAT'L - BERYLLIUM COPPER  
GOLD PLATE
- MOUNTING HOLE DIA.: .055 [1.40]

**KEYSTONE ELECTRONICS CORP.**

www.keyelco.com • NEW HYDE PARK, NY 11040 • Tel (516) 328-7500

PART NAME

IC SOCKET CONTACT-PRESS-FIT

MATERIAL

AS NOTED

FINISH

AS NOTED

DRN BY

NT

DATE

3.11.08

APP'D

LN

SCALE

5X

TOLERANCES

INCH [MM]

DECIMAL  $\pm .005$  [ $\pm 0.13$ ]

ANGULAR  $\pm 1^\circ$

UNLESS OTHERWISE SPECIFIED

CODE

C

DWG NO.

3504

DATE

DESCRIPTION

REV.