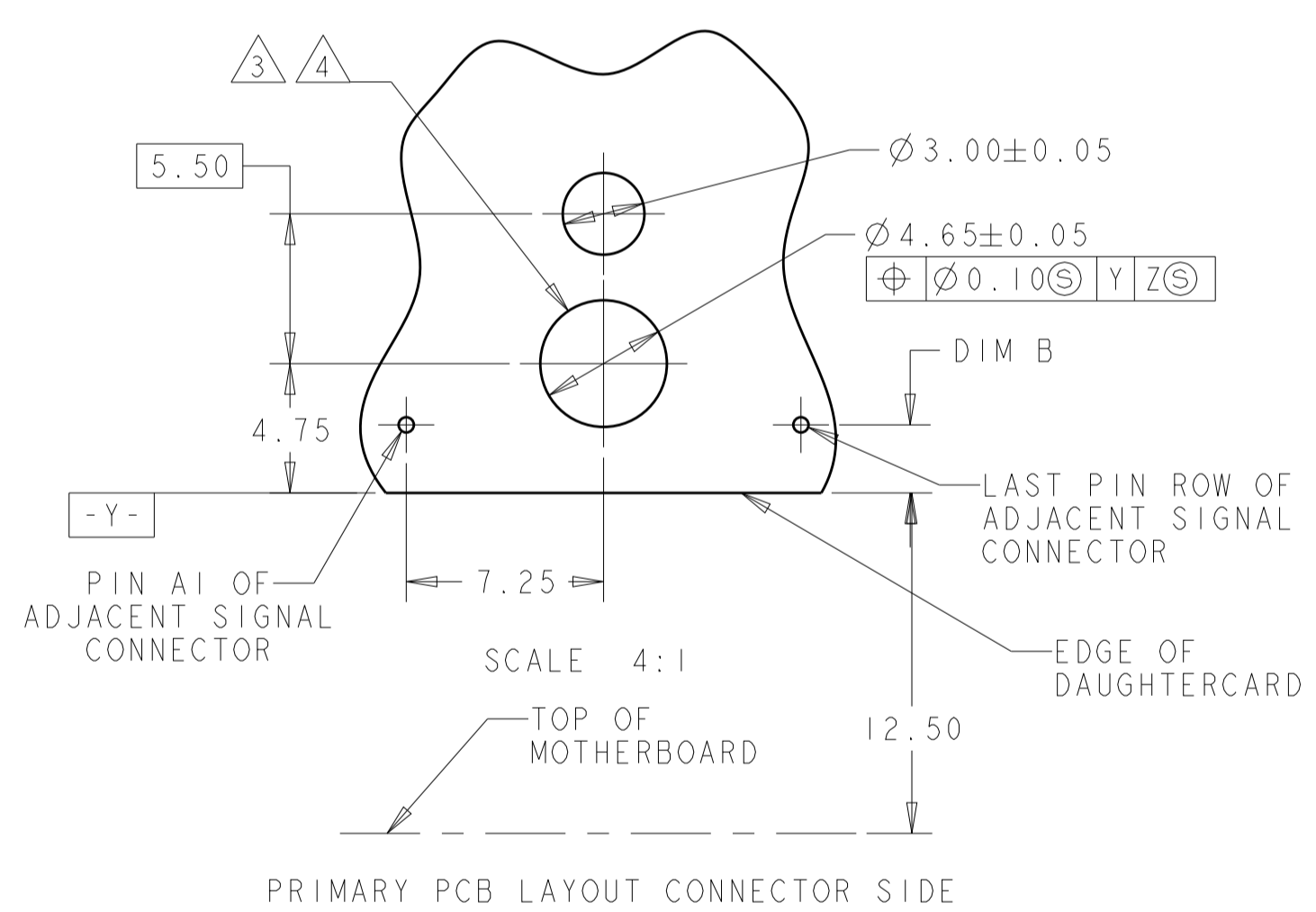
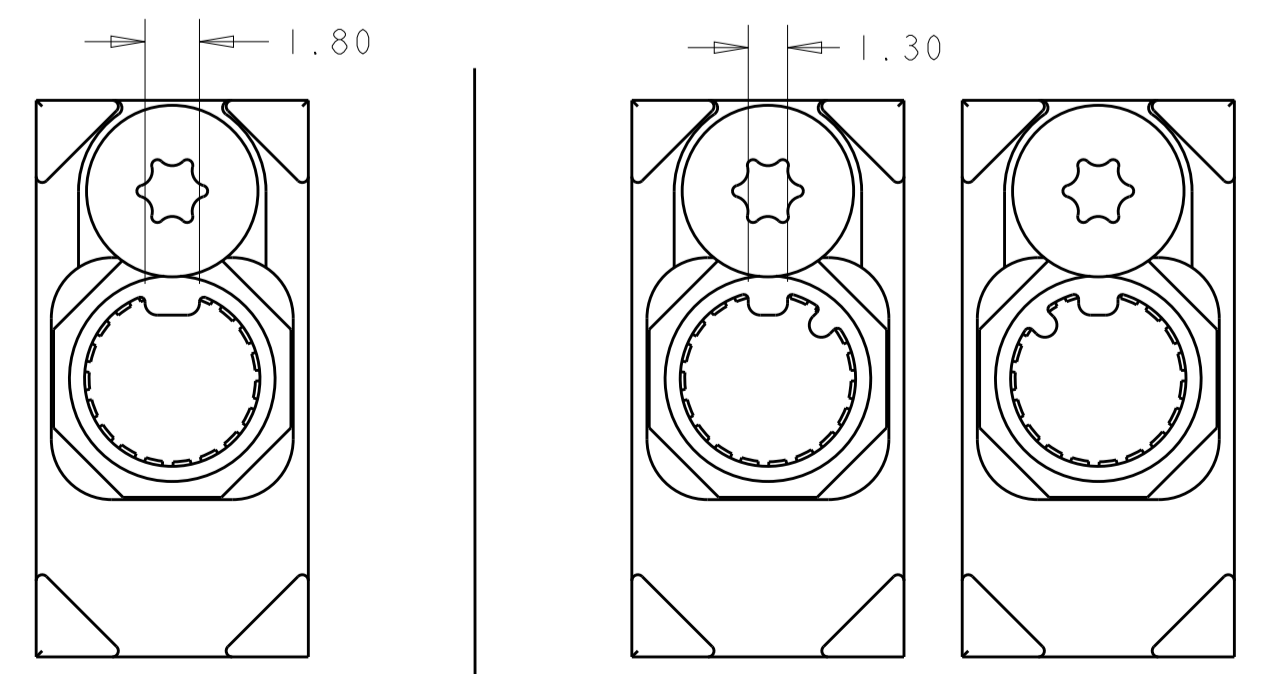


- 1 MATERIAL: HOUSING: ALUMINUM 6061.
CONTACT: BeCu
KEY: STAINLESS STEEL
- 2 FINISH:
HOUSING: 0.025 MIN ELECTROLESS NICKEL
PER AMS-C-26074, GRADE A, CLASS 4.
CONTACT: 1.27µm MIN Au OVER 1.02µm MIN
NICKEL.
- 3 HOLE FOR POSITIVE RETENTION SCREW.
- 4 GROUND PAD Ø5mm ON BOTH SIDE OF PCB.
- 5 4-40 UNC X .25 LG. HEXALOBULAR 100 DEGREE
FLAT HEAD SCREW OR TORX HEAD EQUIVALENT,
ACCORDING TO ISO 10664.
MATERIAL: STAINLESS STEEL, PASSIVATED
- 6 NO SECONDARY KEYING FEATURE
- 7 DENOTES RELATIONSHIP BETWEEN PRIMARY AND
SECONDARY KEYING FEATURE
- 8 KEY CAN BE REMOVED AND FLIPPED TO ACHIEVE DESIRED
ANGLE BETWEEN PRIMARY AND SECONDARY KEYS
- 9 KEY CAN BE ROTATED IN INCREMENTS OF 45° CREATING 8
POSSIBLE KEYING VARIATIONS FOR 2828454-1 AND
2828454-5 AND 16 POSSIBLE VARIATIONS FOR 2828454-2,
2828454-3, AND 2828454-4.
- 10. ESD CONTACT TO BE ASSEMBLED INTO HOUSING. SCREW
AND KEY SUPPLIED IN KIT FORM.

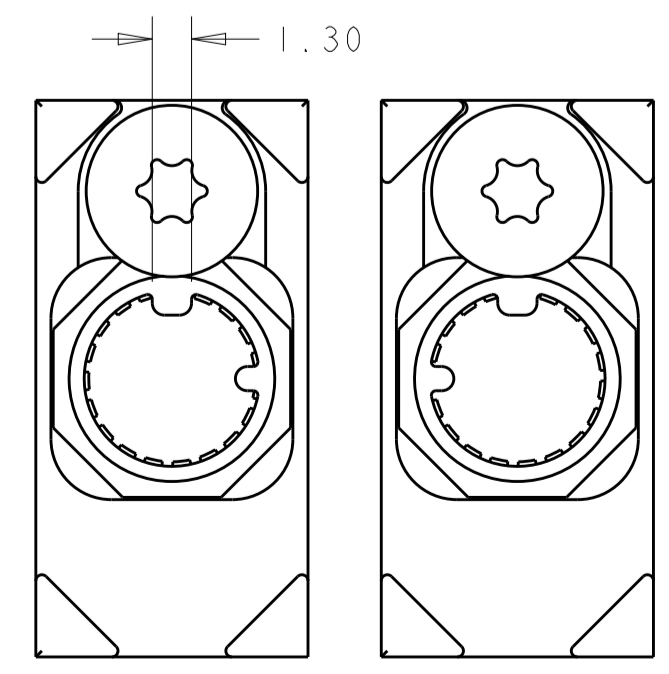
| REVISIONS | | | | |
|-----------|-----|----------------------------|---------|-------|
| P | LTN | DESCRIPTION | DATE | APPV |
| A | | RELEASED PER ECO 19-001328 | 1-30-19 | CT DH |



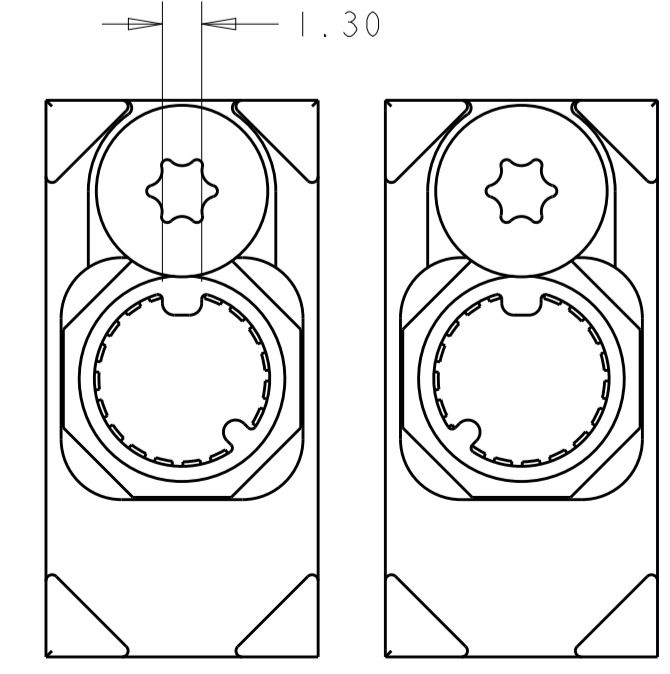
| DIM B | PRODUCT |
|-------|----------------|
| 1.5 | TIER 2 (7-ROW) |
| 2.25 | TIER 2 |
| 2.5 | TIER 1 |



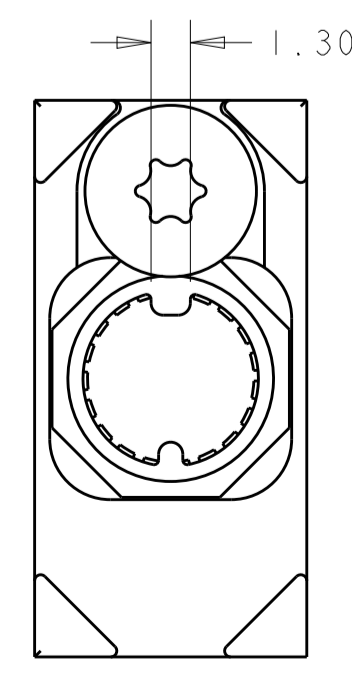
2828454-1 (MATES WITH X-2828999-1)
2828454-2 (MATES WITH X-2828999-2) (MATES WITH X-2828999-8)



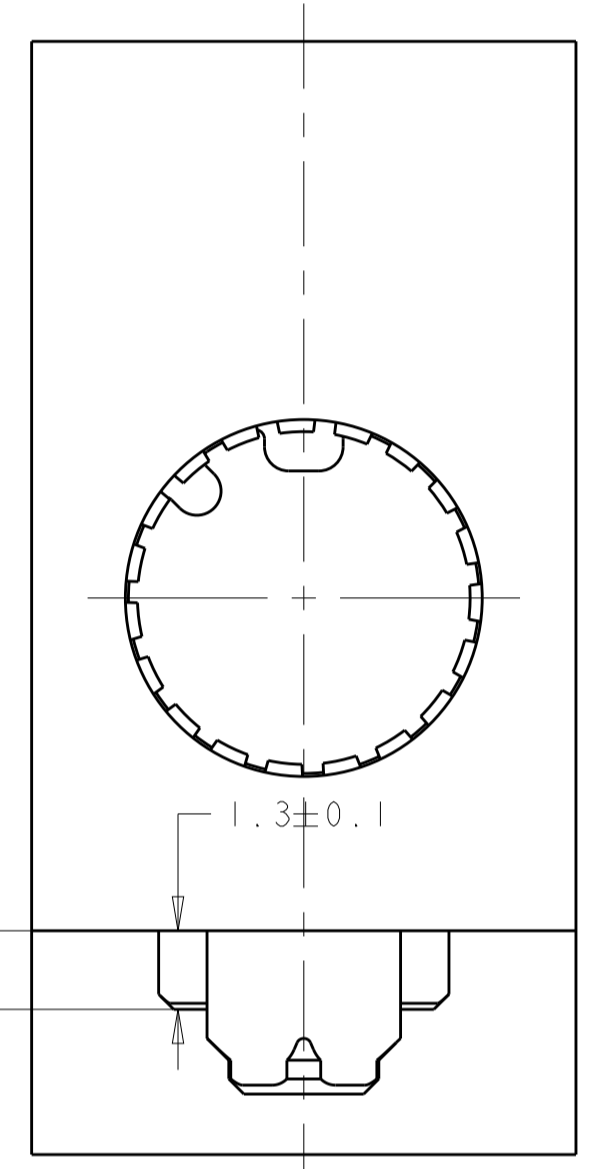
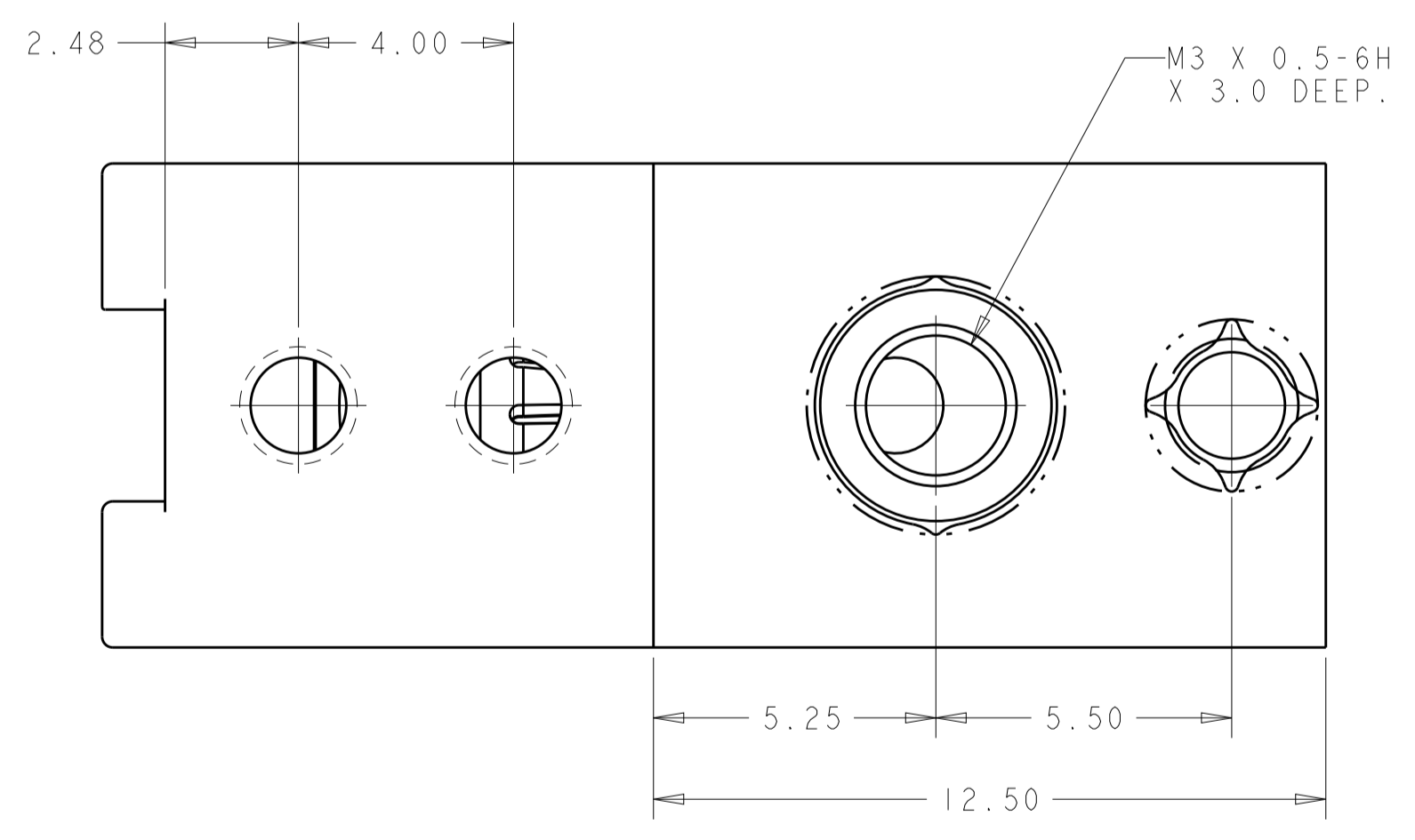
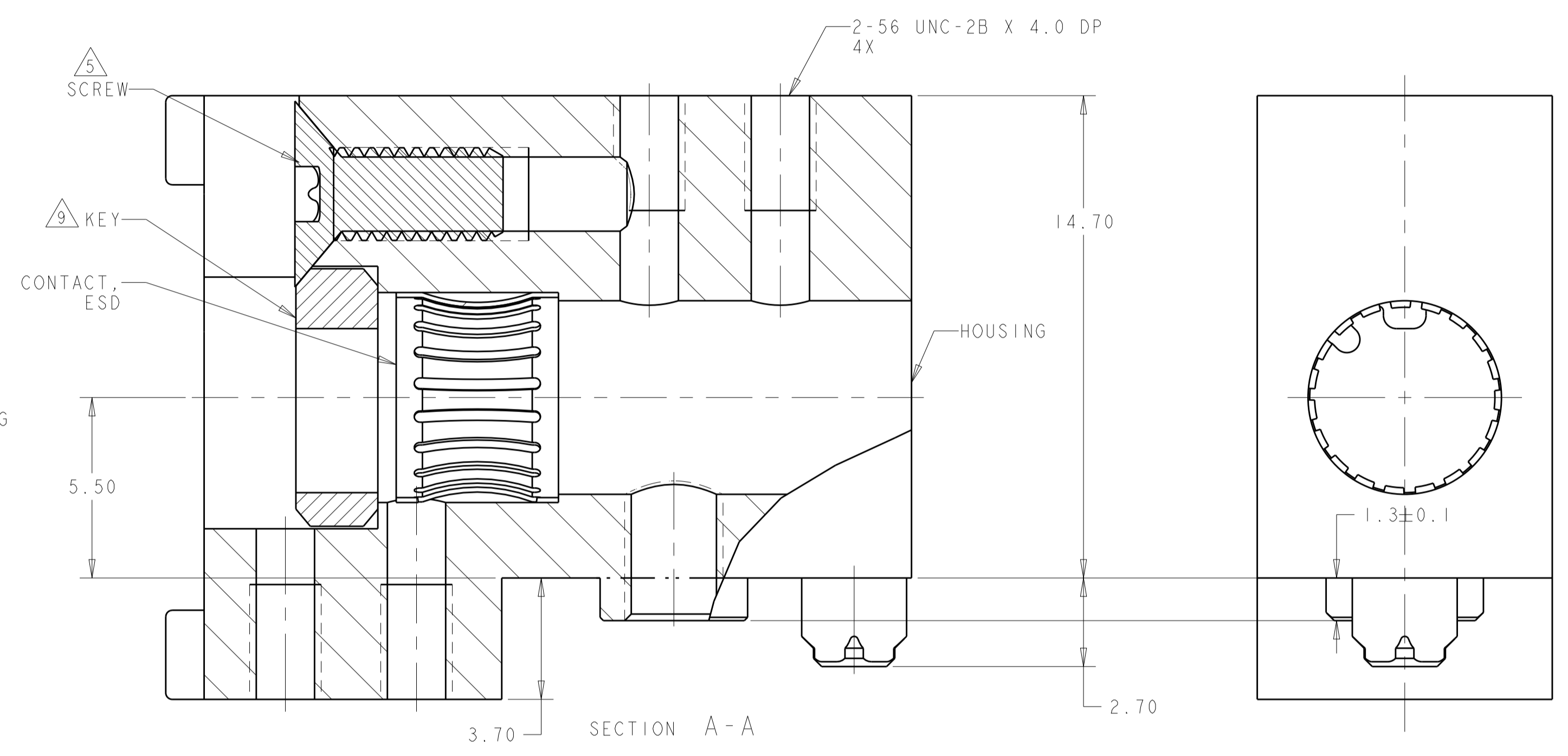
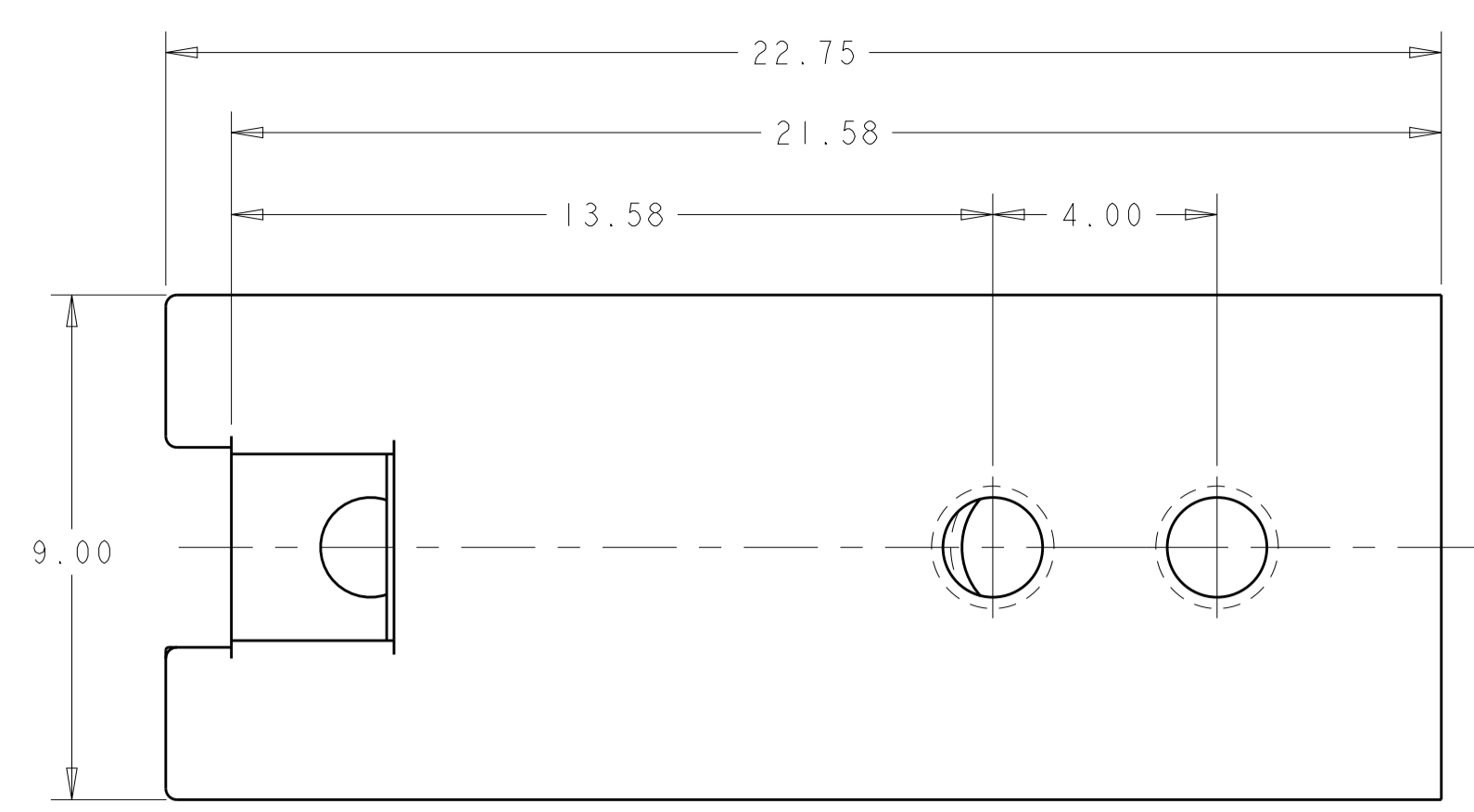
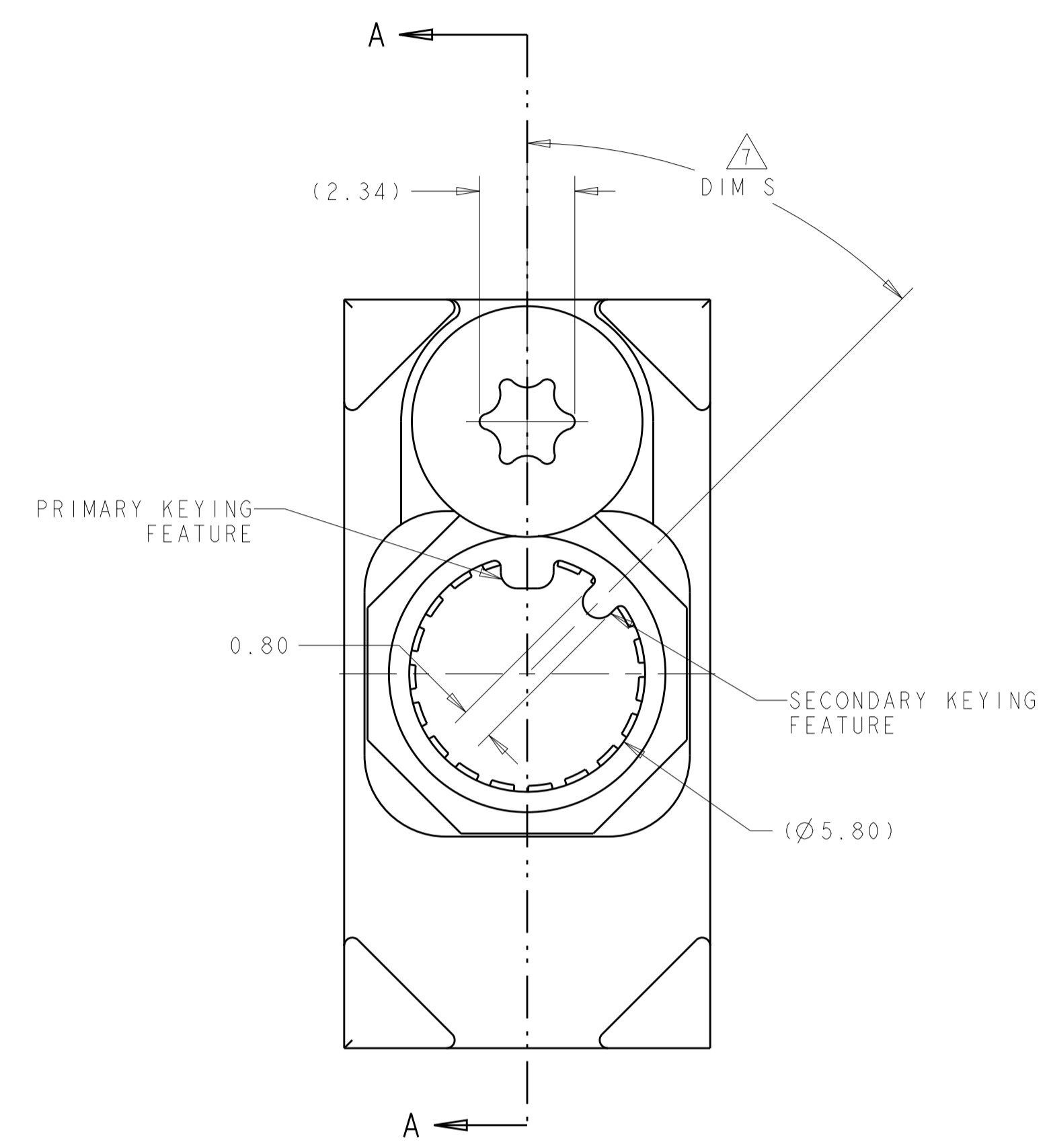
2828454-3 (MATES WITH X-2828999-3) (MATES WITH X-2828999-7)



2828454-4 (MATES WITH X-2828999-4) (MATES WITH X-2828999-5)



2828454-5 (MATES WITH X-2828999-5)



| | |
|--------------|-------------|
| 180° | 2828454-5 |
| 135° OR 225° | 2828454-4 |
| 90° OR 270° | 2828454-3 |
| 45° OR 315° | 2828454-2 |
| | 2828454-1 |
| S | PART NUMBER |

THIS DRAWING IS A CONTROLLED DOCUMENT.

DMN: R. MILLER 03DEC2015
CHK: A. TSANG 03DEC2015

TE Connectivity

NAME: GUIDE MODULE, CLOCKABLE KEYED, 64 POSITION, CUSTOM APERTURE, RIGHT ANGLE, MULTIGIG

PRODUCT SPEC: -
APPLICATION SPEC: -
WEIGHT: ~ 6.9 g

SIZE: A100779
CAGE CODE: -
DRAWING NO: 2828454

SCALE: 4:1 SHEET 1 OF 1 REV A