

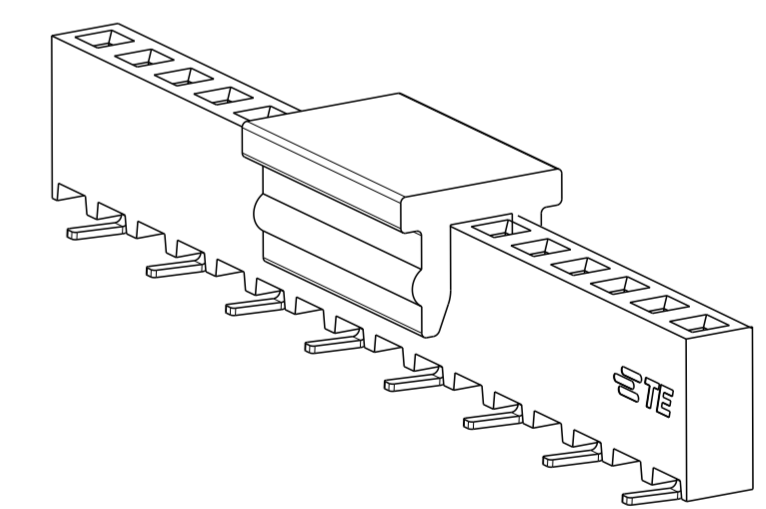
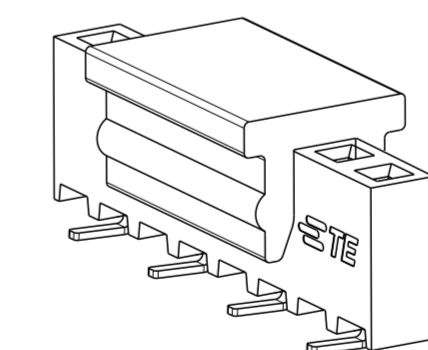
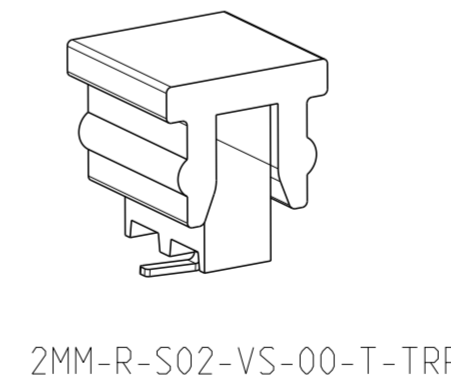
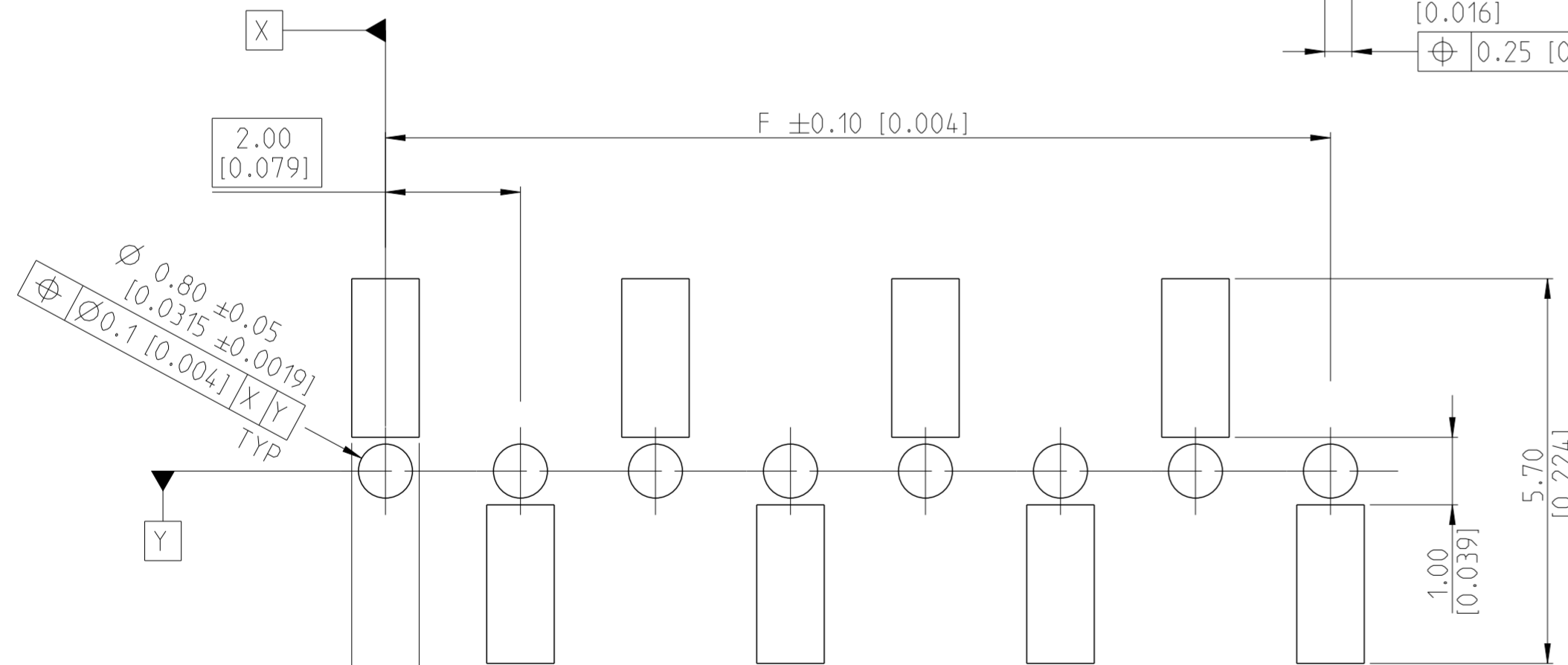
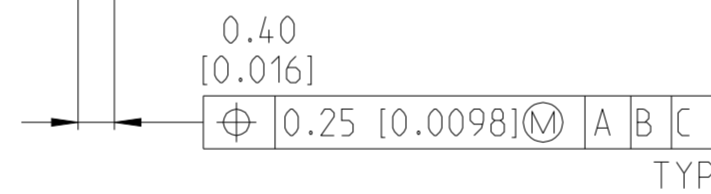
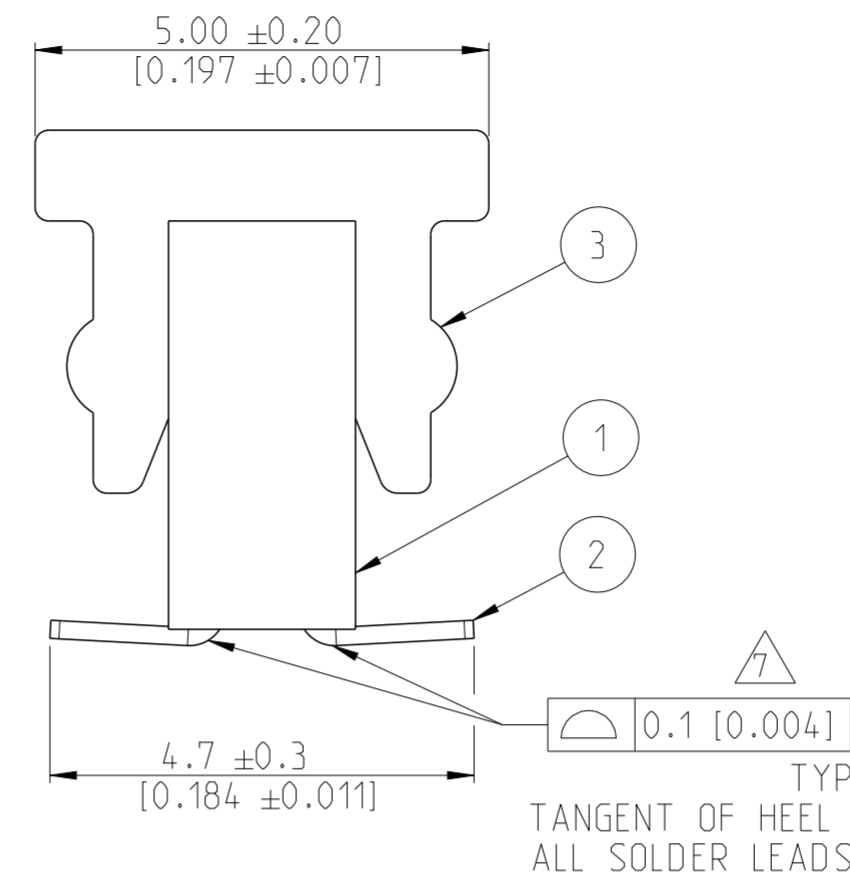
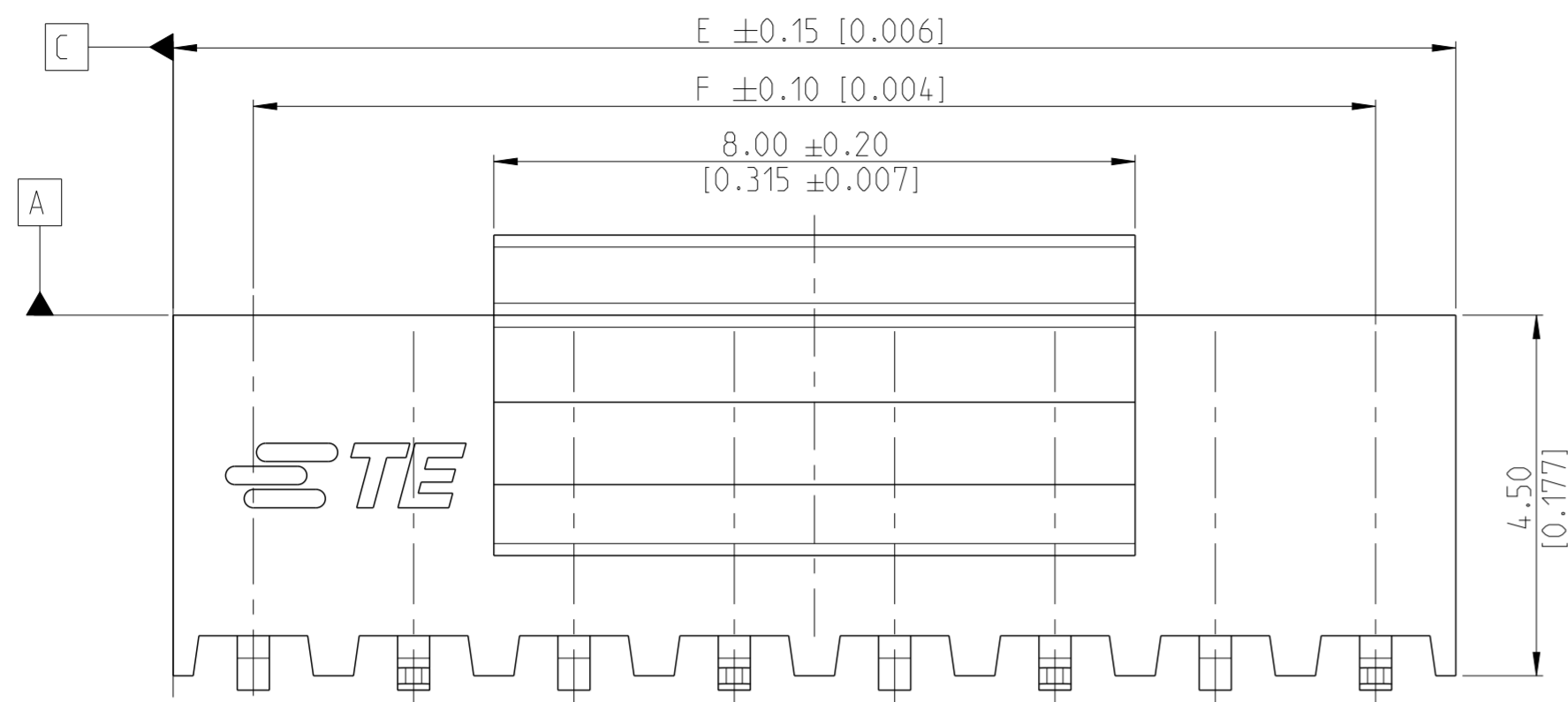
| P | LTR | DESCRIPTION | DATE | DWN | APVD |
|----|-----|--|-----------|-----|------|
| A | | RELEASE GOLD PLATED VERSIONS TO PRODUCTION | 03SEP2019 | AY | PS |
| A1 | | RELEASE TIN PLATED VERSIONS TO PRODUCTION | 14APR2020 | AY | PS |
| A2 | | SMART PN DETAILS ADDED | 19APR2022 | SCB | PS |

NOTES:

- 1 MATERIAL:
HOUSING & CAP: LCP, UL94 V0, BLACK
CONTACT: PHOSPHOR BRONZE, 0.20mm THICK.
- 2 ALL OVER 3-5µm (118.11-196.85 µ") TIN OVER
MIN 1.27µm (50 µ") NICKEL UNDERPLATE
- 3 CONTACT AREA: MIN 0.1µm (3.94 µ") GOLD
SOLDER TAIL: 3-5µm (118.11-196.85 µ") TIN
UNDERPLATING: MIN 1.27µm (50 µ") NICKEL ALL OVER
- 4 CONTACT AREA: MIN 0.38µm (15 µ") GOLD
SOLDER TAIL: 3-5µm (118.11-196.85 µ") TIN
UNDERPLATING: MIN 1.27µm (50 µ") NICKEL ALL OVER
- 5 CONTACT AREA: MIN 0.76µm (30 µ") GOLD
SOLDER TAIL: 3-5µm (118.11-196.85 µ") TIN
UNDERPLATING: MIN 1.27µm (50 µ") NICKEL ALL OVER
- 6 N = NO. OF POSITIONS PER CONNECTOR.

| "N" | FG P/N | CO-PLANARITY |
|----------|------------|--------------|
| 2 TO 10 | S02 TO S10 | 0.08 |
| 11 TO 20 | S11 TO S20 | 0.10 |
| 21 TO 25 | S21 TO S25 | 0.15 |

| DESCRIPTION | ITEM |
|-------------|------|
| CAP | 3 |
| CONTACT | 2 |
| HOUSING | 1 |



2MM-R-S02-VS-00-T-TRP

2MM-R-S08-VS-00-T-TRP





2MM-R-S16-VS-00-T-TRP

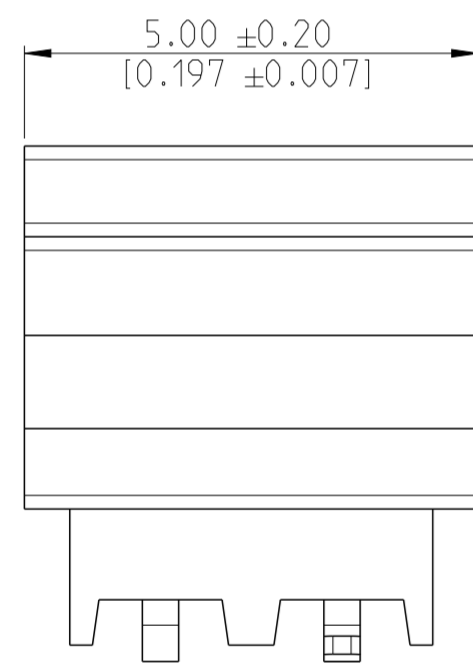
RECOMMENDED PCB PATTERN

| | | | | |
|--|------------------|----------------------------|--|-----------------|
| THIS DRAWING IS A CONTROLLED DOCUMENT. | | DWN SOURAV DAS 22NOV2017 | TE Connectivity | |
| DIMENSIONS: mm [inch] | | CHK SHARATH S 21NOV2018 | | |
| TOLERANCES UNLESS OTHERWISE SPECIFIED: | | APVD PRASHANTH S 21NOV2018 | NAME AMPMODU 2mm BtB RECEPTACLE SINGLE ROW, VERTICAL, DUAL ENTRY SMD | |
| 0 PLC ± | 1 PLC ±0.2 | PRODUCT SPEC 108-64040 | SIZE A2 | CAGE CODE 00779 |
| 2 PLC ±0.1 | 3 PLC ± [0.004] | APPLICATION SPEC 114-32186 | DRAWING NO C-2307812 | RESTRICTED TO - |
| 4 PLC ± | ANGLES ±2° | WEIGHT - | SCALE 5:1 | SHEET 1 OF 3 |
| MATERIAL SEE NOTES | FINISH SEE NOTES | CUSTOMER DRAWING | REV A2 | |

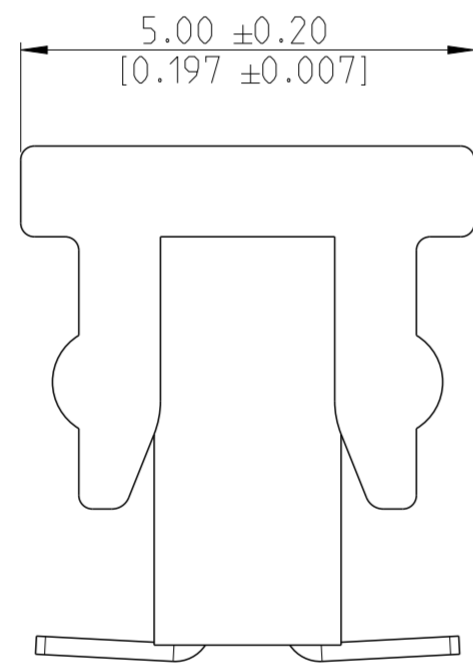
REVISIONS

| P | LTR | DESCRIPTION | DATE | DWN | APVD |
|---|-----|-------------|------|-----|------|
| - | - | SEE SHEET 1 | - | - | - |

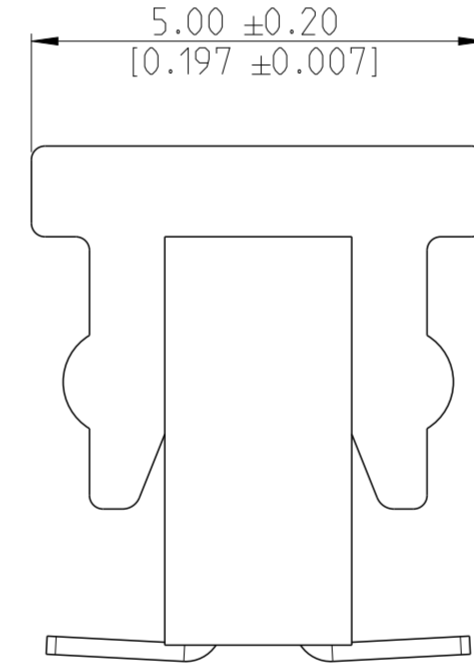
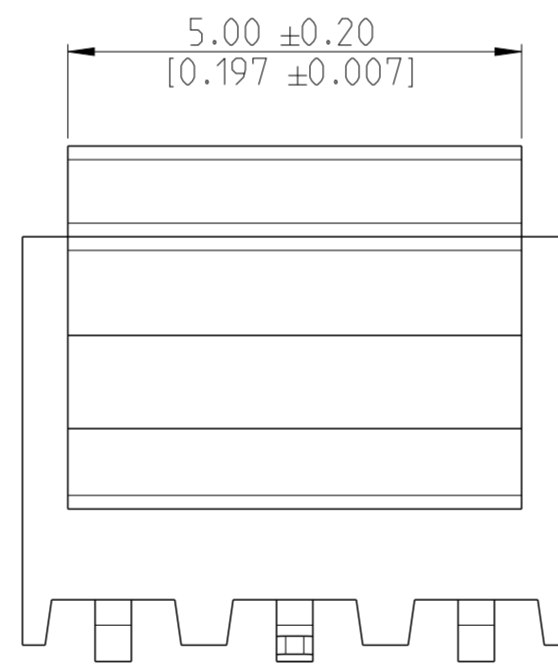
| MATING SIDE PLATING (FINISH) | BTB RECEPTACLE BASE NUMBERS | |
|--|-----------------------------|-----------------------|
| | TAPE & REEL PKG W / CAP | TUBE PKG W / CAP |
| TIN  | 2MM-R-S__-VS-00-T-TRP | 2MM-R-S__-VS-00-T-TBP |
| GOLD FLASH 0.1 μm (3.94 μ")  | 2MM-R-S__-VS-00-F-TRP | 2MM-R-S__-VS-00-F-TBP |
| GOLD 0.38 μm (15 μ")  | 2MM-R-S__-VS-00-M-TRP | 2MM-R-S__-VS-00-M-TBP |
| GOLD 0.76 μm (30 μ")  | 2MM-R-S__-VS-00-H-TRP | 2MM-R-S__-VS-00-H-TBP |




2MM-R-S02-VS-00-T-TRP



2MM-R-S03-VS-00-T-TRP



| | | | | | |
|---------|----|---------|-----------------------|----------|--|
| 48 | 50 | 25 | 2MM-R-S25-VS-00-T-TRP | | |
| 46 | 48 | 24 | 2MM-R-S24-VS-00-T-TRP | | |
| 44 | 46 | 23 | 2MM-R-S23-VS-00-T-TRP | | |
| 42 | 44 | 22 | 2MM-R-S22-VS-00-T-TRP | | |
| 40 | 42 | 21 | 2MM-R-S21-VS-00-T-TRP | | |
| 38 | 40 | 20 | 2MM-R-S20-VS-00-T-TRP | | |
| 36 | 38 | 19 | 2MM-R-S19-VS-00-T-TRP | | |
| 34 | 36 | 18 | 2MM-R-S18-VS-00-T-TRP | | |
| 32 | 34 | 17 | 2MM-R-S17-VS-00-T-TRP | | |
| 30 | 32 | 16 | 2MM-R-S16-VS-00-T-TRP | | |
| 28 | 30 | 15 | 2MM-R-S15-VS-00-T-TRP | | |
| 26 | 28 | 14 | 2MM-R-S14-VS-00-T-TRP | | |
| 24 | 26 | 13 | 2MM-R-S13-VS-00-T-TRP | | |
| 22 | 24 | 12 | 2MM-R-S12-VS-00-T-TRP | | |
| 20 | 22 | 11 | 2MM-R-S11-VS-00-T-TRP | | |
| 18 | 20 | 10 | 2MM-R-S10-VS-00-T-TRP | | |
| 16 | 18 | 9 | 2MM-R-S09-VS-00-T-TRP | | |
| 14 | 16 | 8 | 2MM-R-S08-VS-00-T-TRP | | |
| 12 | 14 | 7 | 2MM-R-S07-VS-00-T-TRP | | |
| 10 | 12 | 6 | 2MM-R-S06-VS-00-T-TRP | | |
| 8 | 10 | 5 | 2MM-R-S05-VS-00-T-TRP | | |
| 6 | 8 | 4 | 2MM-R-S04-VS-00-T-TRP | | |
| 4 | 6 | 3 | 2MM-R-S03-VS-00-T-TRP | | |
| 2 | 4 | 2 | 2MM-R-S02-VS-00-T-TRP | | |
| DIM "F" | | DIM "E" | N | SMART PN | |

| | | | | |
|---|--|----------------------------------|---|-------------------------|
| THIS DRAWING IS A CONTROLLED DOCUMENT. | | DWN SOURAV DAS 22NOV2017 |  TE Connectivity | |
| | | CHK SHARATH S 21NOV2018 | | |
| DIMENSIONS: mm [inch] | | APVD PRASHANTH S 21NOV2018 | NAME AMPMODU 2mm BTB RECEPTACLE SINGLE ROW, VERTICAL, DUAL ENTRY SMD | |
| TOLERANCES UNLESS OTHERWISE SPECIFIED: 0 PLC ± 1 PLC ±0.2 2 PLC ±0.1 3 PLC ± [0.004] 4 PLC ± ANGLES ±2° | | PRODUCT SPEC 108-64040 | SIZE A2 | |
| MATERIAL SEE NOTES | | APPLICATION SPEC 114-32186 | CAGE CODE 00779 | DRAWING NO C-2307812 |
| FINISH SEE NOTES | | WEIGHT - | RESTRICTED TO - | SCALE 5:1 |
| | | CUSTOMER DRAWING | SHEET 2 OF 3 | REV A2 |

REVISIONS

| P | LTR | DESCRIPTION | DATE | DWN | APVD |
|---|-----|-------------|------|-----|------|
| - | | SEE SHEET 1 | - | - | - |
| | | | | | |
| | | | | | |

SMART PART NUMBER
 2MM - R - S__ - VS - 00 - _ - _

PRODUCT SERIES
 2MM AMPMODU 2mm SERIES

GENDER / TYPE
 R RECEPTACLE

NUMBER OF ROWS
 S SINGLE ROW

NUMBER OF PINS PER ROW
 XX 02 THROUGH 25
 (ENTER TWO DIGITS)

PACKAGING
 TRP TAPE AND REELING WITH CAP
 TBP TUBE WITH CAP


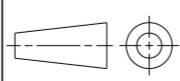
PLATING
 T TIN
 F GOLD FLASH
 M 15 μm GOLD
 H 30 μm GOLD

TAIL LENGTH
 00 SURFACE MOUNT TECHNOLOGY

ORIENTATION & TERMINATION
 VS VERTICAL SURFACE MOUNT TECHNOLOGY

SMART PN EXAMPLES:

- 2MM-R-S02-VS-00-T-TRP :
 AMPMODU 2mm, RECEPTACLE, SINGLE ROW, 02 POSITION PER ROW, VERTICAL SURFACE MOUNT TECHNOLOGY, TIN PLATED, TAPE AND REEL PACKAGING WITH CAP
- 2MM-R-S25-VS-00-T-TRP :
 AMPMODU 2mm, RECEPTACLE, SINGLE ROW, 25 POSITION PER ROW, VERTICAL SURFACE MOUNT TECHNOLOGY, TIN PLATED, TAPE AND REEL PACKAGING WITH CAP

| | | | | |
|---|---|----------------------------------|---|--------------------|
| THIS DRAWING IS A CONTROLLED DOCUMENT. | | DWN SOURAV DAS 22NOV2017 |  TE Connectivity | |
| | | CHK SHARATH S 21NOV2018 | | |
| DIMENSIONS: mm [inch] | TOLERANCES UNLESS OTHERWISE SPECIFIED: | APVD PRASHANTH S 21NOV2018 | NAME AMPMODU 2mm BtB RECEPTACLE SINGLE ROW, VERTICAL, DUAL ENTRY SMD | |
|  | 0 PLC ± 1 PLC ±0.2 2 PLC ±0.1 3 PLC ± (0.004) 4 PLC ± ANGLES ±2° | PRODUCT SPEC 108-64040 | SIZE A2 | CAGE CODE 00779 |
| MATERIAL SEE NOTES | FINISH SEE NOTES | APPLICATION SPEC 114-32186 | DRAWING NO C-2307812 | RESTRICTED TO - |
| | | WEIGHT - | SCALE 5:1 SHEET 3 OF 3 REV A2 | |
| | | CUSTOMER DRAWING | | |