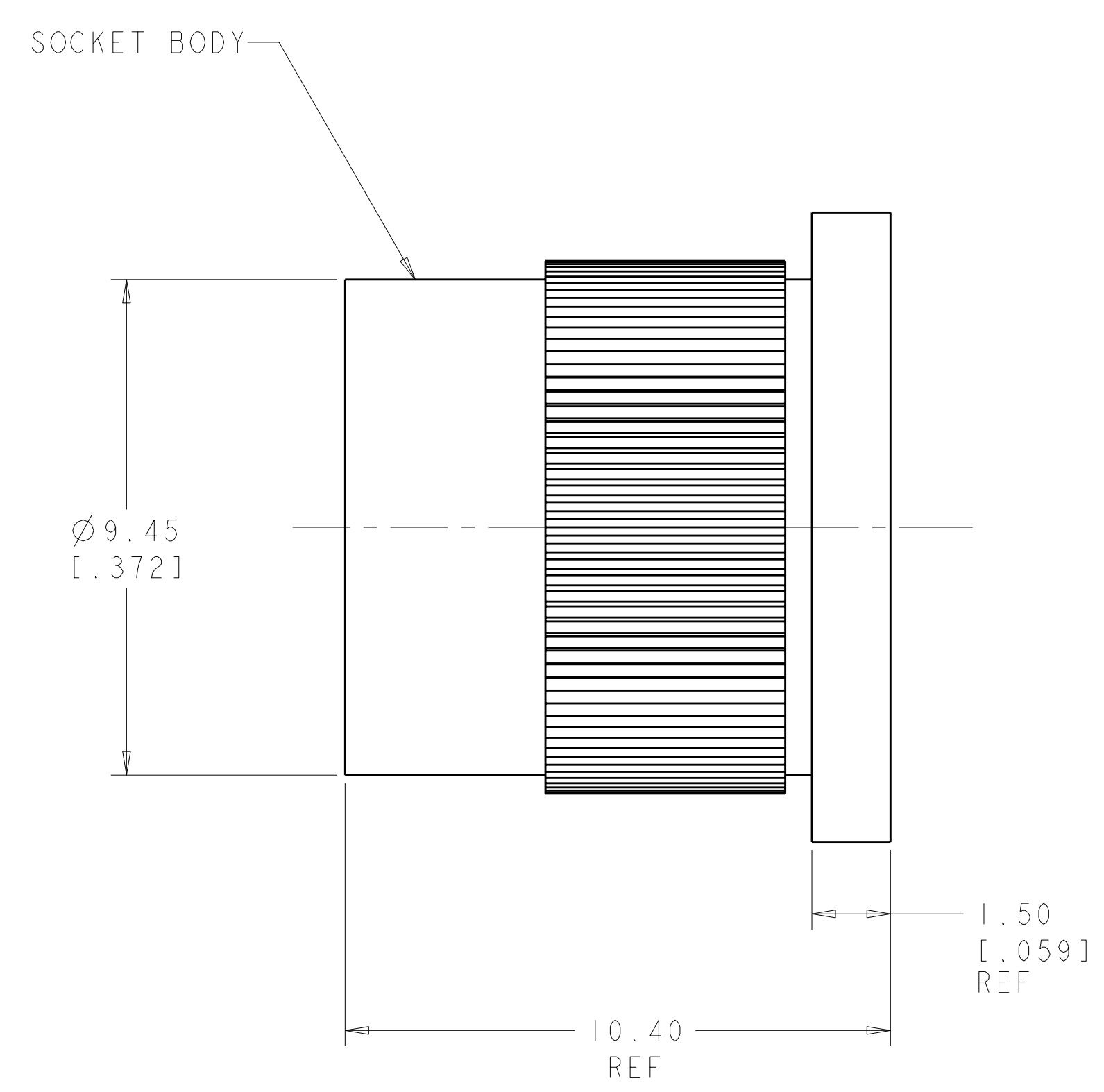
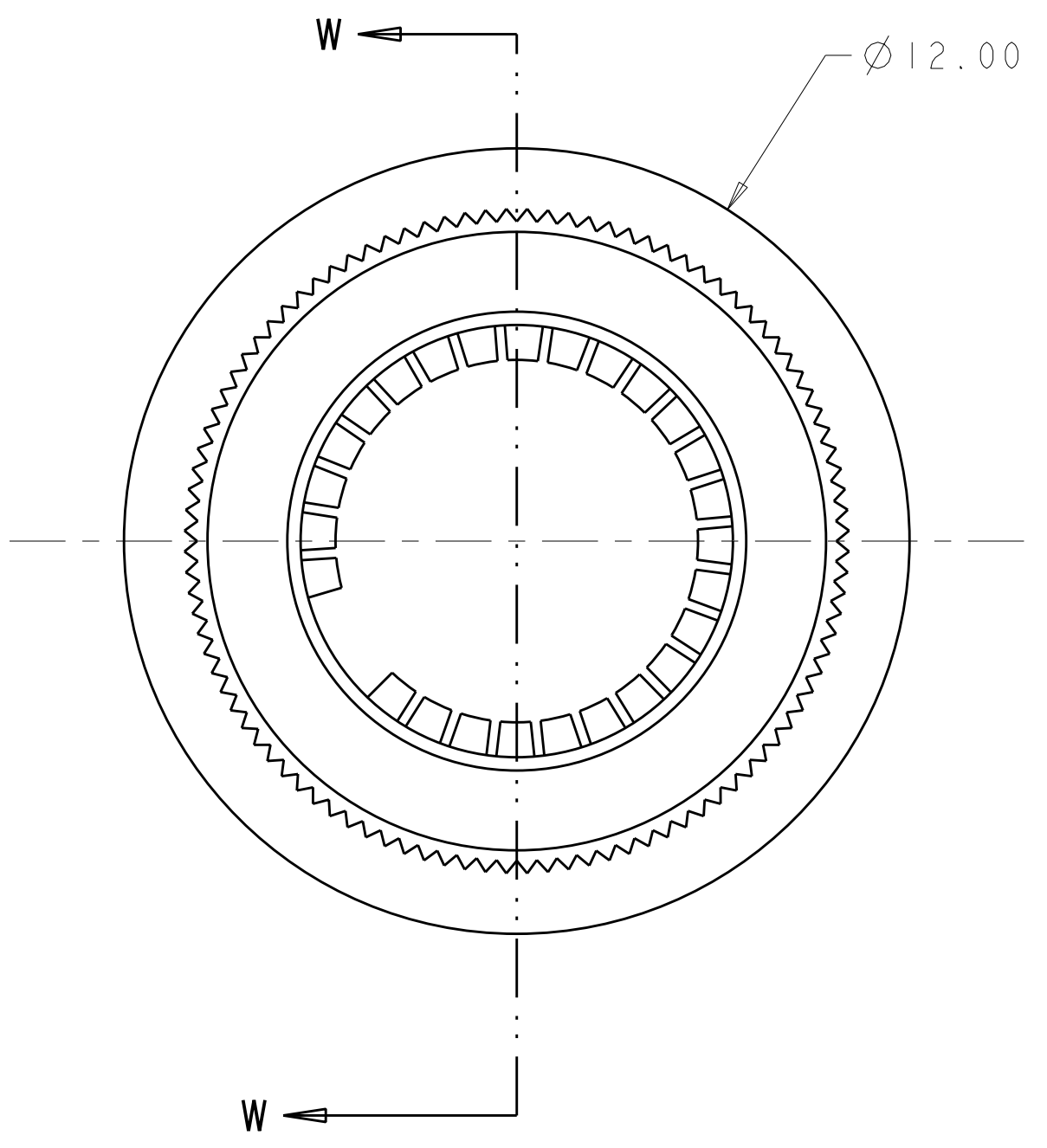
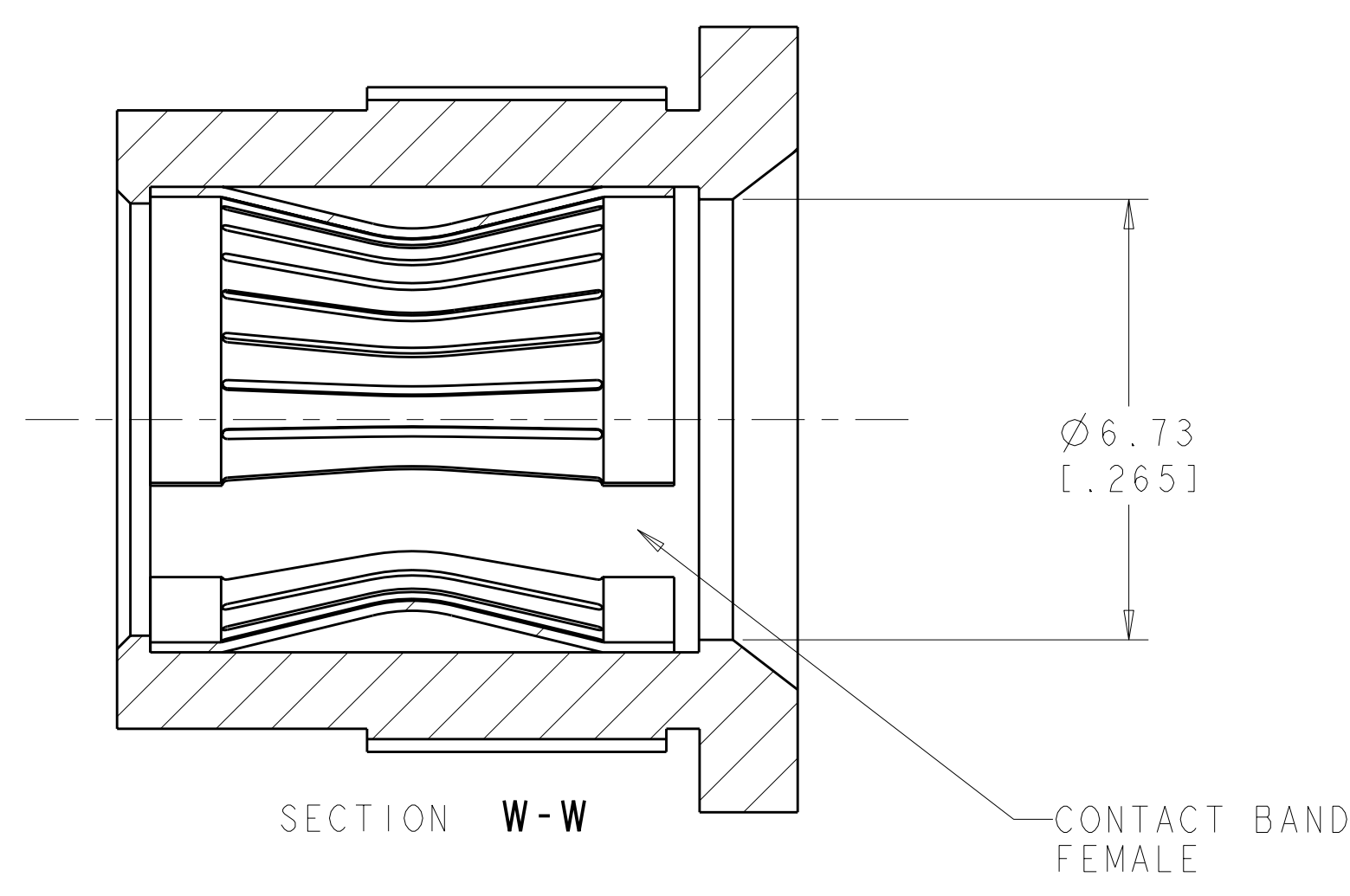


LOC		DIST		REVISIONS			
GP	00	P	LTR	DESCRIPTION	DATE	DWN	APVD
		1		PROPOSED DESIGN	11DEC2007	WVS	GRD
		2		REMOVED INCH DIMENSIONS	24APR2008	WVS	GRD



- PART NUMBER CHANGES AND/OR DESIGN CHANGES AFFECTING ITEM INTERCHANGEABILITY REQUIRES PRIOR TYCO ELECTRONICS APPROVAL AND AUTHORIZATION BY REVISION TO THIS DRAWING.
- ITEMS PROVIDED TO THIS SPECIFICATION SHALL BE IDENTIFIED ON THE PACKAGE AS FOLLOWS: MANUFACTURER IDENTIFICATION PART NUMBER.
- RECOMENDED BUS BAR HOLE $\text{Ø}10.03 \pm 0.03$ [$\text{Ø} .395 \pm .001$].
- MATES WITH A $\text{Ø}6.35$ [.250] PIN.
- MATERIAL:
 SOCKET BODY - COPPER ALLOY
 CONTACT BAND - COPPER ALLOY
- FINISH:
 SOCKET BODY - SILVER PLATE OVER NICKEL PLATE OVER ALL
 CONTACT BAND - GOLD PLATE IN CONTACT AREA OVER NICKEL PLATE OVER ALL
- THIS PRODUCT HAS NOT COMPLETED QUALIFICATION TESTING.

AS SHOWN	1926755-1
DESCRIPTION	PART NO

THIS PRINT IS
PRELIMINARY
 UNQUALIFIED PRODUCT
 CONTACT PRODUCT ENGINEERING
 BEFORE USING THIS PRINT

DIMENSIONS: mm [INCHES]		TOLERANCES UNLESS OTHERWISE SPECIFIED: 9 PLC ± 1 PLC ±0.25 [1.010] 5 PLC ± 4 PLC ± ANGLES ±2°		DWN: WM VAN SCOOC 13NOV2007 CHK: G.R. DEFIBAUGH 13NOV2007 APVD: G.R. DEFIBAUGH 13NOV2007		Tyco Electronics Harrisburg, PA 17105-3608	
MATERIAL:		FINISH:		PRODUCT SPEC: - APPLICATION SPEC: - WEIGHT: -		NAME: ASSEMBLY, #4 SOCKET, BUSBAR, SHORT SIZE: A 00779 C=1926755 SCALE: 4:1 SHEET: 1 OF 1 REV: 2	
CUSTOMER DRAWING				RESTRICTED TO			