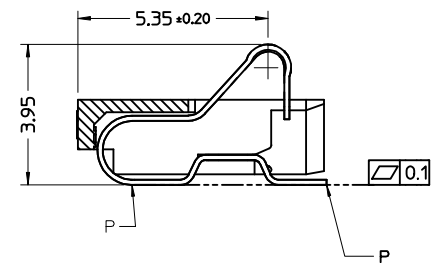
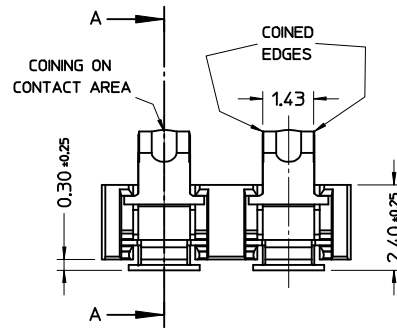


PACKAGING	MOLEX P/N
94343-2002	LOOSE IN BOXES
94343-5002	T & R

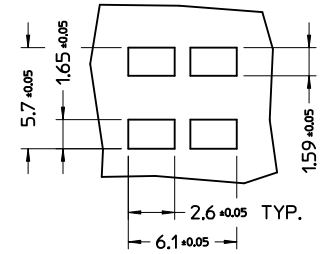
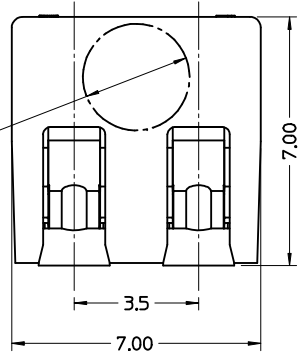
DUE TO CONTACT PRELOADING, THE SOLDER TAIL ON THE LEFT SIDE MAY NOT BE PARALLEL TO SOLDERING PLANE (POINT 'P' CAN BE RAISED FROM THE PCB)



NOTES:

- 1) MATERIALS
 - CONTACTS: Copper alloy 0.15 mm THICK
 - HOUSING: LCP BLACK
 - 2) PLATING
 - OVERALL: 13 um MIN. Ni
 - CONTACT AREA: 0.5 um MIN. Au
 - SOLDER TAIL: 3.8 um MIN. Sn
- NOTE: CONTACTS MAY UNDERGO SOME DISCOLORATION DURING THE REFLOW PROCESS, DUE TO THE REACTION OF SOME ADDITIVES OF THE TIN SOLUTION. THIS DOES NOT IMPAIR THE SOLDERABILITY NOR THE PART FUNCTIONALITY
- 3) PACKAGING:
 - A) TAPE & REEL, 1400 PCS/REEL, 11 REEL/BOX.
S.P.O.: 15400 PCS/BOX.
 - B) LOOSE IN CARTON BOXES, 3000 PCS/BOX, 12 BOXES IN A BIGGER BOX.
S.P.O.: 36000 PCS/BIG BOX
 - 4) CONTACT NORMAL FORCE: 2.0 N Max. @ 2.715 mm FROM PCB
0.7 N Min. @ 3.575 mm FROM PCB
 - 5) PRODUCT CHARACTERISTICS ACCORDING TO PS-94343-001

PICK & PLACE AREA
Ø 3 MIN.



RECOMMENDED PCB LAYOUT (SCALE 5:1) (VIEW FROM COMPONENT SIDE)

Std Descr.: CONTACT BLOCK SMT 2 CKT

EC NO: Z2013-0070 DRW: SBARBIER 2013/01/15 CHK: DAL SANTISS 2013/10/04 APPR: FEB SELLO 2013/10/02	QUALITY SYMBOLS ▽=0 ▽=0 ▽=0	GENERAL TOLERANCES (UNLESS SPECIFIED)		DIMENSION STYLE MM ONLY		SCALE 10:1	DESIGN UNITS METRIC	FIRST ANGLE PROJECTION
		mm	INCH	DRAWN BY SBARBIER	DATE 00-08-28	TITLE 2 CKT CONTACT BLOCK		
REV: C	DESCRIPTION	ANGULAR ± 3 °		APPROVED BY RMARTUCC		DATE 00-08-28		DOCUMENT NO. SD-94343-001
		DRAFT WHERE APPLICABLE MUST REMAIN WITHIN DIMENSIONS		MATERIAL NO.		SHEET NO. 1 OF 1		
		SIZE A 2		THIS DRAWING CONTAINS INFORMATION THAT IS PROPRIETARY TO MOLEX INCORPORATED AND SHOULD NOT BE USED WITHOUT WRITTEN PERMISSION				