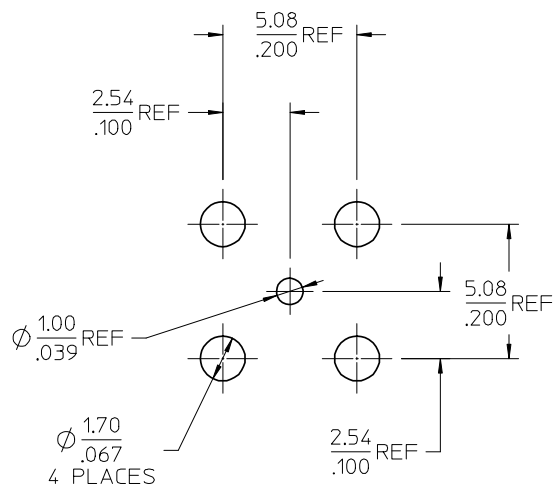
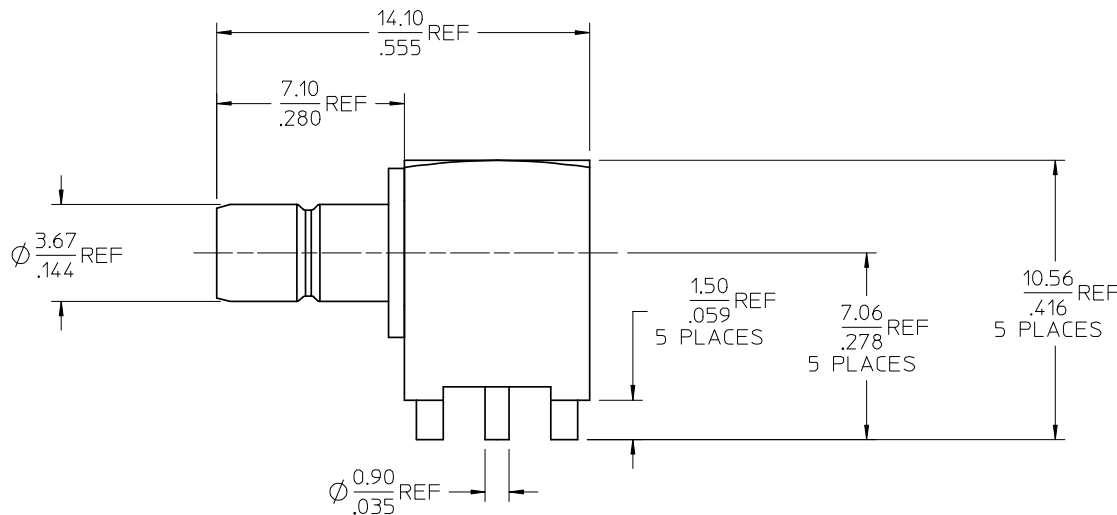
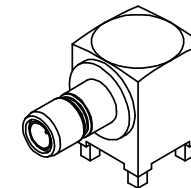


MATERIALS AND FINISHES

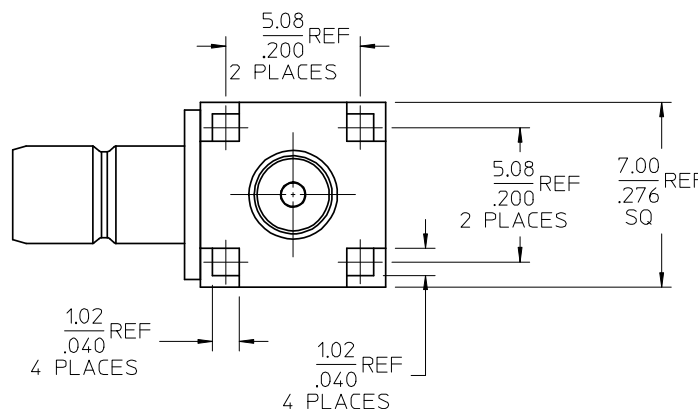
BODY, HOUSING BRASS
PLATED GOLD

CENTER CONTACT BRASS
PLATED GOLD

INSULATOR TEFLON



RECOMMENDED PCB HOLE



NOTE:

RF LEAKAGE AND VSWR ARE
NOT APPLICABLE IN
PS-73598-0099

PART # 73404-2440

PS-73598-0099	PRODUCT SPECIFICATION
SPECIFICATION	DESCRIPTION

CHG: LENGTHENED CONTACT TAIL TO BE FLUSH WITH BODY LEGS. EC NO: URF2008-0541 DRW: ARROBERTSON 2008/04/22 CHKD: 2008/04/22 APPR: JWENER 2008/04/22	QUALITY SYMBOLS ▽=0 ▽=0	GENERAL TOLERANCES (UNLESS SPECIFIED)		DIMENSION STYLE MM/IN		SCALE	DESIGN UNITS METRIC	THIRD ANGLE PROJECTION			
		4 PLACES ± --- ± --- 3 PLACES ± --- ± --- 2 PLACES ± --- ± --- 1 PLACE ± --- ± ---	mm INCH	DRAWN BY TEF 2007/08/03	DATE	TITLE SMB JACK, R/A, 50 OHMS RECEPTACLE, EWR-3408 SMB-J/RA					
		ANGULAR ± 2 °		CHECKED BY SSS 2007/08/03	DATE	APPROVED BY JDW 2007/08/03					
		DRAFT WHERE APPLICABLE MUST REMAIN WITHIN DIMENSIONS		MATERIAL NO. 734042440	DATE	MOLEX INCORPORATED		DOCUMENT NO. SD-73404-244	SHEET NO. 1 OF 1		