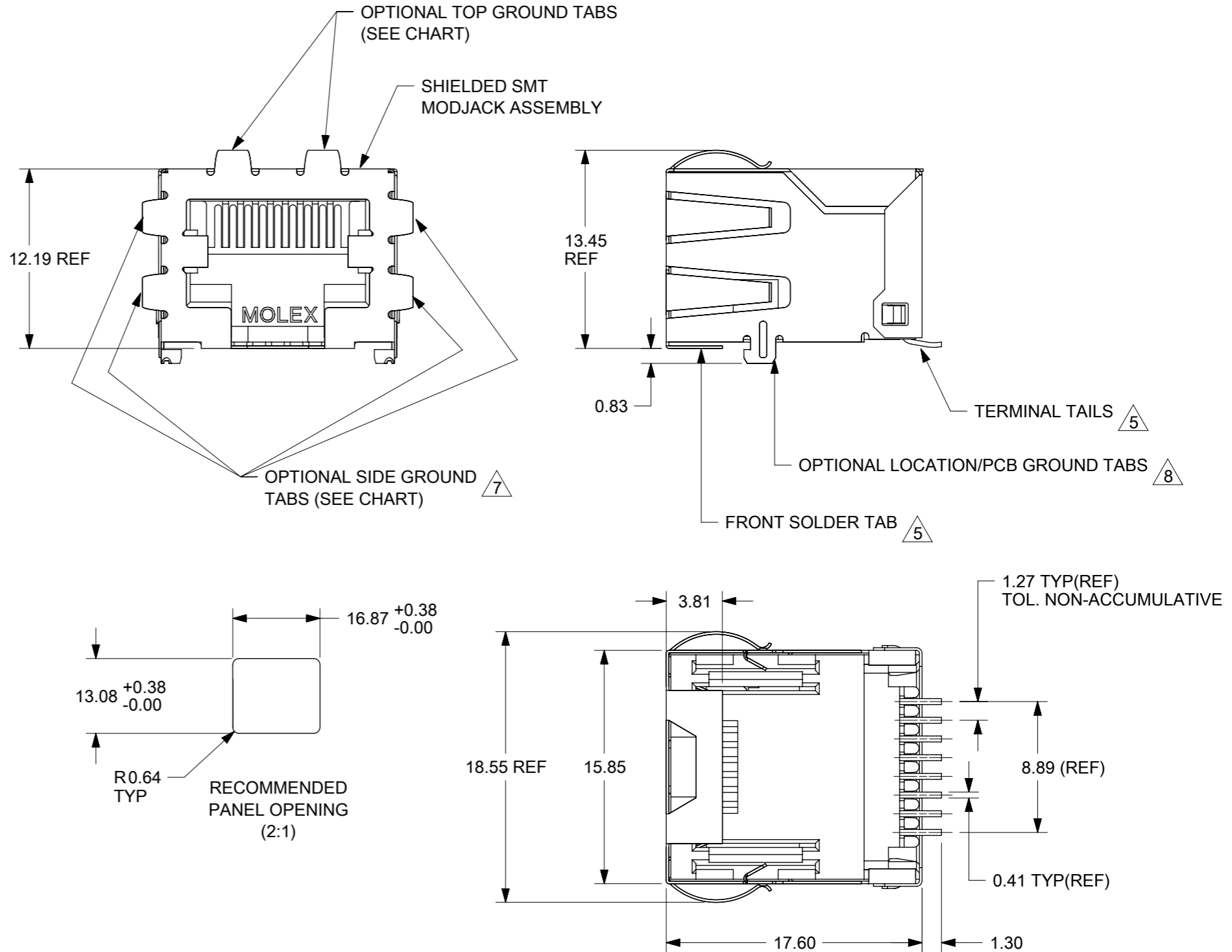


NOTES:

- 1) MATERIAL:
HOUSING & INSULATOR: NYLON(PA), GLASS FILLED, UL94V-0, COLOR: BLACK
TERMINALS: PHOSPHOR BRONZE, 0.30 mm THICK
SHIELD: BRASS
- 2) FINISH:
TERMINALS:
A = SELECT GOLD IN CONTACT AREA: 0.00127 mm MIN.,
*SELECT MATTE TIN IN PC TAIL AREA: 0.00254 mm MIN.,
WITH OVERALL NICKEL UNDERPLATE: 0.00127 mm MIN.
B = SELECT GOLD IN CONTACT AREA: 0.00076 mm MIN.,
*SELECT MATTE TIN IN PC TAIL AREA: 0.00254 mm MIN.,
WITH OVERALL NICKEL UNDERPLATE: 0.00127 mm MIN.
C = SELECT GOLD IN CONTACT AREA: 0.00038 mm MIN.,
*SELECT MATTE TIN IN PC TAIL AREA: 0.00254 mm MIN.,
WITH OVERALL NICKEL UNDERPLATE: 0.00127 mm MIN.
SHIELD:
*2.54 MICROMETER NICKEL OVER 1.27 MICROMETER COPPER UNDERPLATE
PCB GROUND TABS DIPPED IN TIN
*THE PRIMARY SHIPPING CARTON WILL BE LABELED "COMPLIANT TO RoHS
DIRECTIVE 2002/95/EC AND ELV ANNEX II OF DIRECTIVE 2000/53/EC".
CARTONS WITHOUT THIS LABEL MAY CONTAIN PRODUCT WITH TIN-LEAD
IN THE PC TAILS AND/OR SHIELD.
- 3) PRODUCT SPECIFICATION AND PROCESSING PARAMETERS: PS-43743-0001.
- 4) PACKAGING SPECIFICATION:
CONNECTOR ASSEMBLIES TO BE PACKAGED USING TAPE & REEL SYSTEM
PER PACKAGING DRAWING PK-70873-7006.
- 5) COPLANARITY SPECIFICATION:
WHEN AN ASSEMBLY IS PLACED UPON A LEVEL SURFACE, THE MAXIMUM
GAP BETWEEN THE LEVEL SURFACE AND ALL TERMINAL TAILS AND
FRONT SOLDER TAB IS 0.15 mm.
- 6) THRU HOLES 2.39±0.05 mm ARE FOR SHIELDS WITH LOCATION TABS ONLY.
- 7) AVAILABLE WITH (4) OPTIONAL SIDE GROUND TABS (OMITTED FOR SIDE TO SIDE
STACKABILITY).
- 8) AVAILABLE WITH (2) OPTIONAL LOCATION TABS FOR LOCATING COMPONENT
TO PCB AND/OR GROUNDING TO PCB.
- 9) FOR ASSEMBLIES HAVING VOIDED CIRCUITS, THE TAIL PORTION IS CUT
AND REMOVED. THE MATING PORTION OF THE TERMINAL REMAINS INTACT.
- 10) CONFORMS TO FCC REGULATION PART 68.5 FOR MODULAR JACKS.
- 11) THIS PART CONFORMS TO CLASS B REQUIREMENTS OF COSMETIC
SPECIFICATION PS-45499-002.

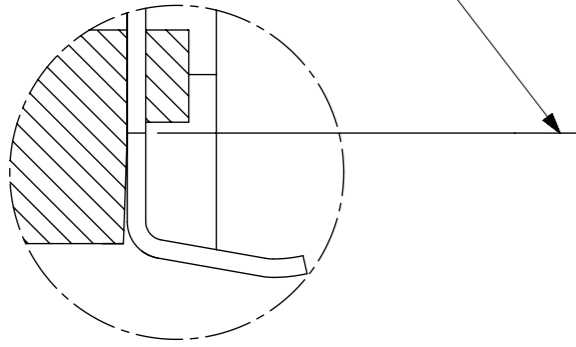


44282-0001, 44282-0002
& 44282-0003 SHOWN

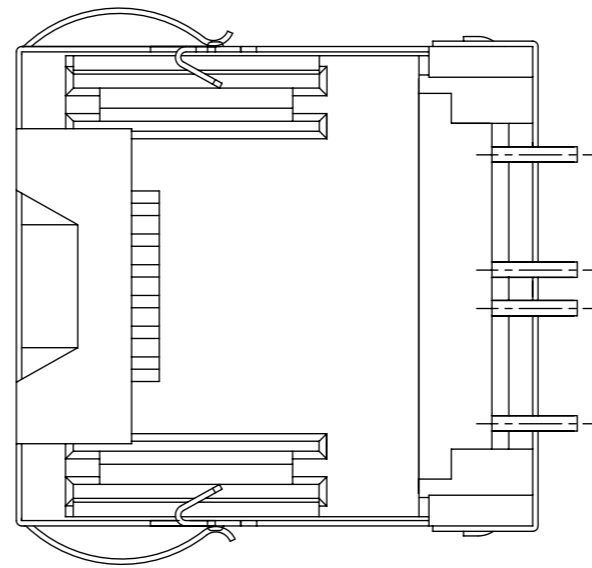
	44282-1004	A	NO	NO	YES	NONE
X	44282-0012	C	NO	YES	NO	NONE
X	44282-0011	B	NO	YES	NO	NONE
X	44282-0010	A	NO	YES	NO	NONE
X	44282-0009	C	YES	YES	NO	NONE
X	44282-0008	B	YES	YES	NO	NONE
X	44282-0007	A	YES	YES	NO	NONE
X	44282-0006	C	NO	YES	YES	NONE
X	44282-0005	B	NO	YES	YES	NONE
X	44282-0004	A	NO	YES	YES	NONE
X	44282-0003	C	YES	YES	YES	NONE
X	44282-0002	B	YES	YES	YES	NONE
	44282-0001	A	YES	YES	YES	NONE
"X"=NOT TOOLED	ASSEMBLY MAT. NO.	TERMINAL PLATING	SHIELD SIDE TABS	SHIELD TOP TABS	LOCATION TABS	VOIDED CIRCUITS

SYMBOLS	THIS DRAWING CONTAINS INFORMATION THAT IS PROPRIETARY TO MOLEX ELECTRONIC TECHNOLOGIES, LLC AND SHOULD NOT BE USED WITHOUT WRITTEN PERMISSION	
DIMENSION UNITS	SCALE	CURRENT REV DESC: MIGRATED TO NX
▽ = 0	MM	3:1
▽ = 0	GENERAL TOLERANCES (UNLESS SPECIFIED)	
▽ = 0	ANGULAR TOL ± 0.5°	
▽ = 0	4 PLACES ±	EC NO: 173578
▽ = 0	3 PLACES ±	DRWN: VK10 2018/01/18
▽ = 0	2 PLACES ± 0.25	CHK'D: KLANG 2018/03/23
▽ = 0	1 PLACE ±	APPR: KLANG 2018/03/23
▽ = 0	0 PLACES ±	INITIAL REVISION:
▽ = 0	DRAFT WHERE APPLICABLE MUST REMAIN WITHIN DIMENSIONS	DRWN: STAMBAUG 99/06/03
▽ = 0	THIRD ANGLE PROJECTION	APPR: EDGLEY 99/06/03
	DRAWING	SERIES
	A3-SIZE	44282
	MATERIAL NUMBER	CUSTOMER
	SEE CHART	GENERAL MARKET
	DOCUMENT NUMBER	DOC TYPE DOC PART REVISION
	SD-44282-001	PSD 001 D5
	SHEET NUMBER	1 OF 2

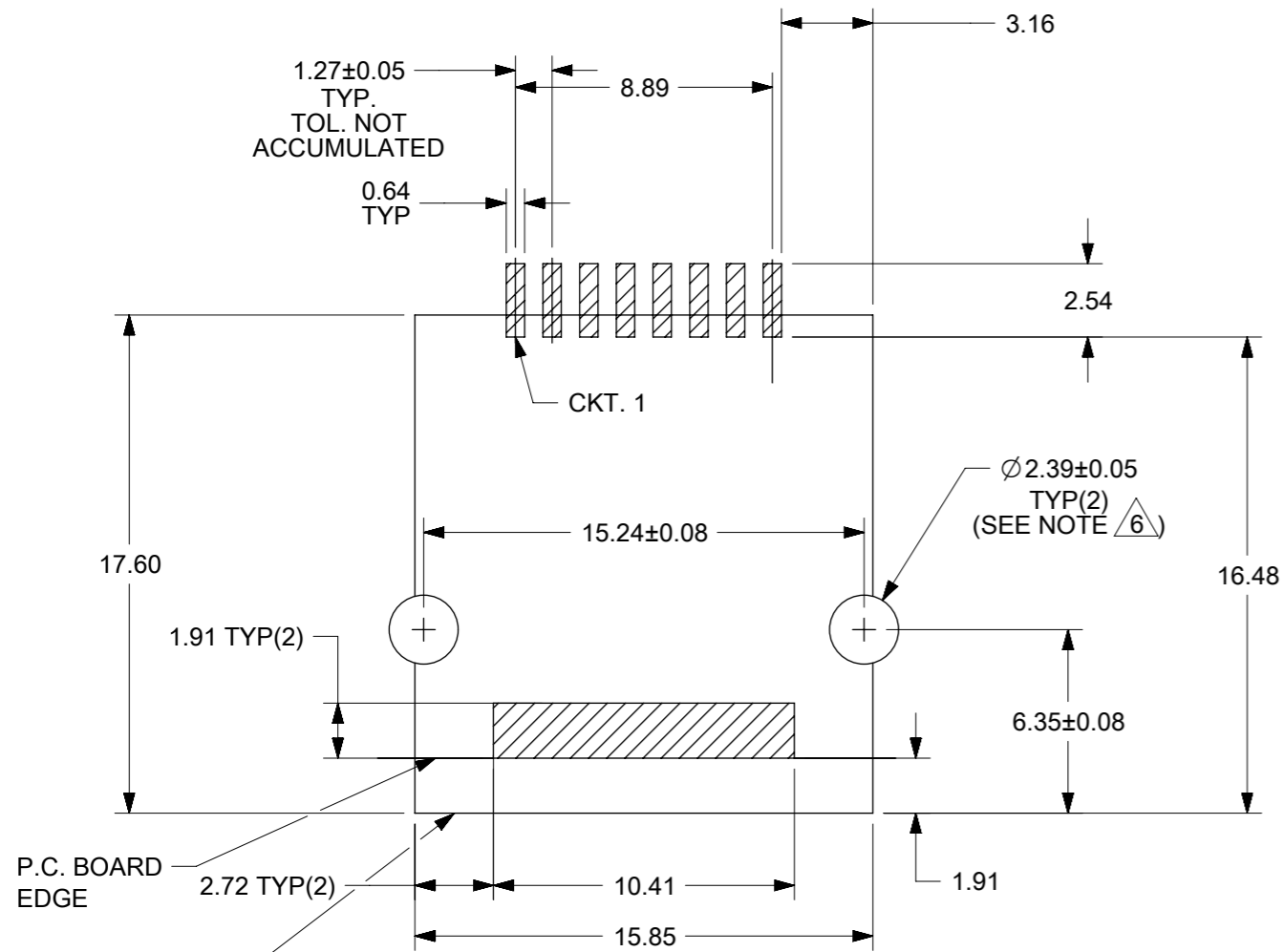
TERMINAL CUTOFF POINT



VIEW SHOWING TYPICAL TERMINAL CUTOFF OF TAIL (SEE NOTE 10) FOR VOIDED CIRCUITS.



TYPICAL VIEW SHOWING VOIDED CIRCUIT (CIRCUITS 2,3,6 & 7 SHOWN VOIDED)



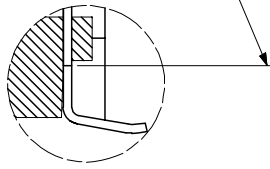
PC BOARD LAYOUT FOR 8 POSITION HOUSING
(COMPONENT SIDE OF BOARD)

NOTES:
1. RECOMMENDED MINIMUM PCB THICKNESS: 0.86 mm.

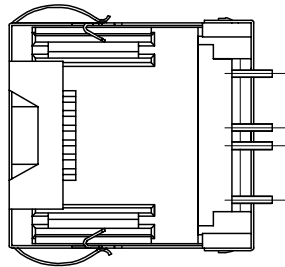
SYMBOLS	THIS DRAWING CONTAINS INFORMATION THAT IS PROPRIETARY TO MOLEX ELECTRONIC TECHNOLOGIES, LLC AND SHOULD NOT BE USED WITHOUT WRITTEN PERMISSION		CURRENT REV DESC: MIGRATED TO NX		molex
	DIMENSION UNITS	SCALE			
▽ = 0	MM	1:1			PRODUCT CUSTOMER DRAWING
▽ = 0	GENERAL TOLERANCES (UNLESS SPECIFIED)				
▽ = 0	ANGULAR TOL ± 0.5°				DOCUMENT NUMBER SD-44282-001
▽ = 0	4 PLACES ±		EC NO: 173578	2018/01/18	
▽ = 0	3 PLACES ±		DRWN: VK10	2018/03/23	DOC TYPE PSD
▽ = 0	2 PLACES ± 0.25		CHK'D: KLANG	2018/03/23	DOC PART 001
▽ = 0	1 PLACE ±		APPR: KLANG	2018/03/23	REVISION D5
▽ = 0	0 PLACES ±		INITIAL REVISION:		MATERIAL NUMBER SEE CHART
▽ = 0			DRWN: STAMBAUG	99/06/03	
▽ = 0			APPR: EDGLEY	99/06/03	CUSTOMER GENERAL MARKET
▽ = 0	DRAFT WHERE APPLICABLE MUST REMAIN WITHIN DIMENSIONS	THIRD ANGLE PROJECTION	DRAWING A3-SIZE	SERIES 44282	SHEET NUMBER 2 OF 2

13 12 11 10 9 8 7 6 5 4 3 2 1

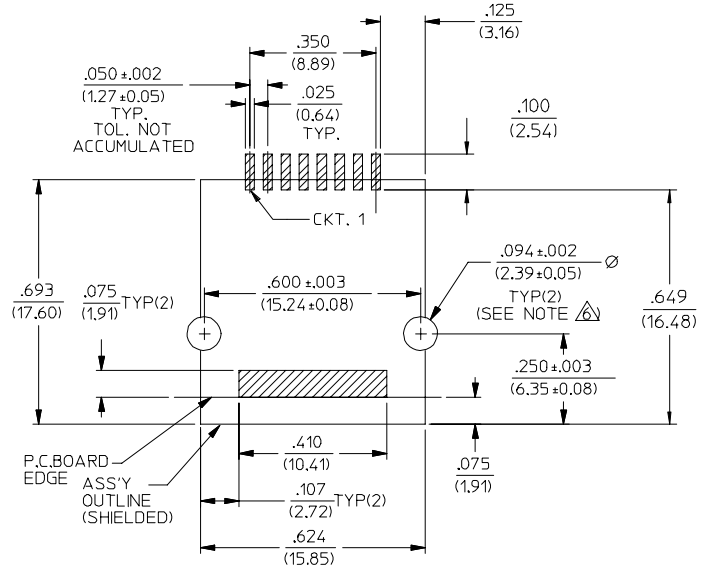
TERMINAL CUTOFF POINT



VIEW SHOWING TYPICAL TERMINAL CUTOFF OF TAIL (SEE NOTE 10) FOR VOIDED CIRCUITS.



TYPICAL VIEW SHOWING VOIDED CIRCUIT (CIRCUITS 2,3,6 & 7 SHOWN VOIDED)



PC BOARD LAYOUT FOR 8 POSITION HOUSING
(COMPONENT SIDE OF BOARD)

NOTES:
1. RECOMMENDED MINIMUM PCB THICKNESS: .034/0.86

SEE SHEET ONE FC NO: UCP2008-0143 DRAWN:JBELL 2007/07/24 CHKD:LSHMI DT 2007/07/30 APPR:FSM TH 2007/08/01 D2	QUALITY SYMBOLS ▽=0 ▽=0	GENERAL TOLERANCES (UNLESS SPECIFIED)		DIMENSION STYLE IN/MM		SCALE 4:1	DESIGN UNITS INCH	THIRD ANGLE PROJECTION	
		4 PLACES ± --- ± ---	mm INCH	DRAWN BY STAMBAUG	DATE 99/06/03	TITLE SURFACE MOUNT MODULAR JACK W/ SHIELD			
		3 PLACES ± --- ± .010		CHECKED BY WIRKUS	DATE 99/06/03	MOLEX INCORPORATED			
		2 PLACES ± 0.25 ± --- 1 PLACE ± --- ± --- ANGULAR ±1/2°		APPROVED BY EDGLEY	DATE 99/06/03	MATERIAL NO. SEE CHART	DOCUMENT NO. SD-44282-001	SHEET NO. 2 OF 2	
DRAFT WHERE APPLICABLE MUST REMAIN WITHIN DIMENSIONS		SIZE C		THIS DRAWING CONTAINS INFORMATION THAT IS PROPRIETARY TO MOLEX INCORPORATED AND SHOULD NOT BE USED WITHOUT WRITTEN PERMISSION					

12 11 10 9 8 7 6 5 4 3 2 1