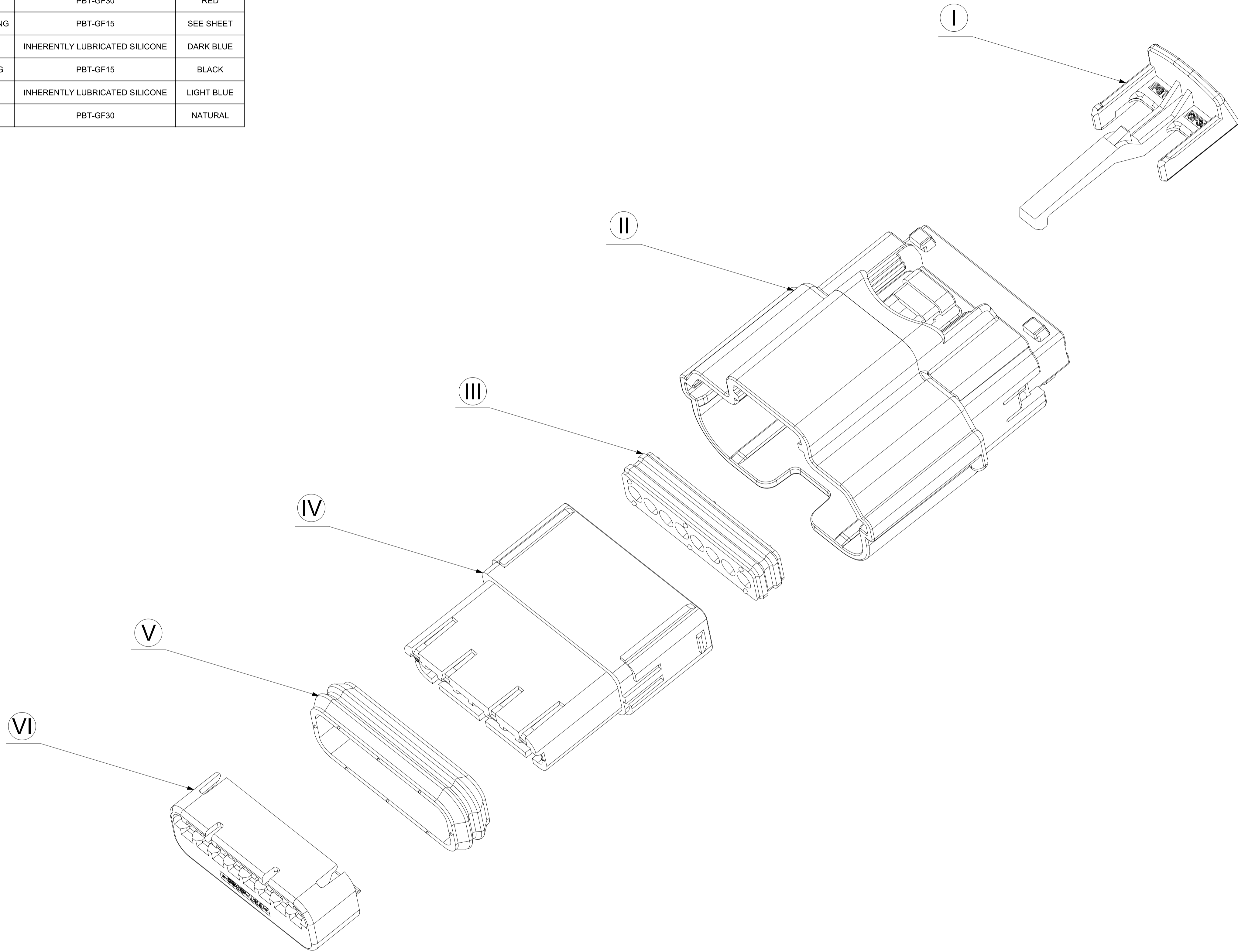


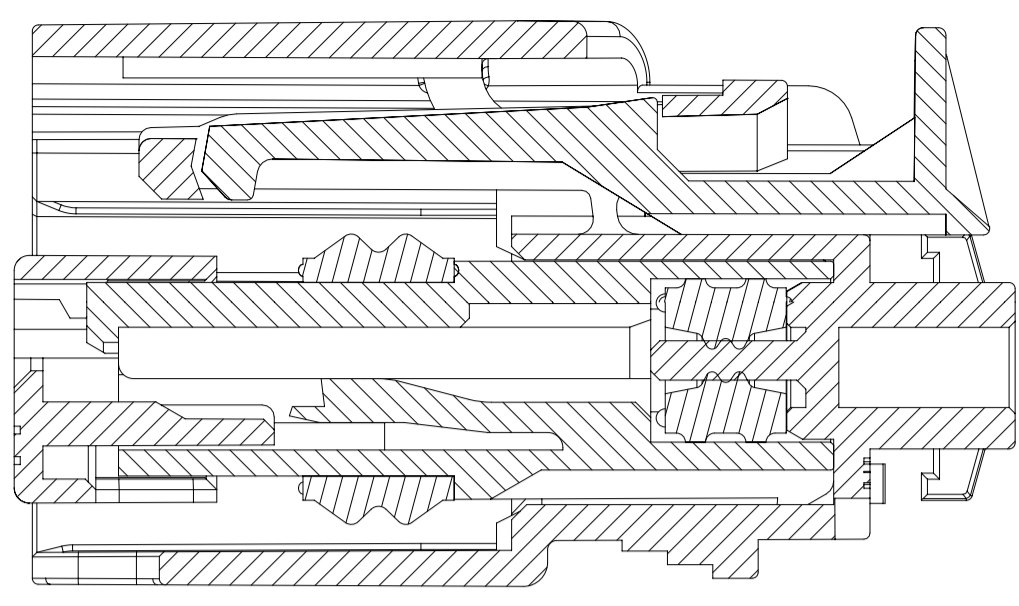
SHEET DESCRIPTION	
BOM	

ITEM NO.	DESCRIPTION	MATERIAL	COLOR
I	CPA	PBT-GF30	RED
II	CONNECTOR HOUSING	PBT-GF15	SEE SHEET
III	MATTE SEAL	INHERENTLY LUBRICATED SILICONE	DARK BLUE
IV	TERMINAL HOUSING	PBT-GF15	BLACK
V	PERIPHERAL SEAL	INHERENTLY LUBRICATED SILICONE	LIGHT BLUE
VI	TPA	PBT-GF30	NATURAL

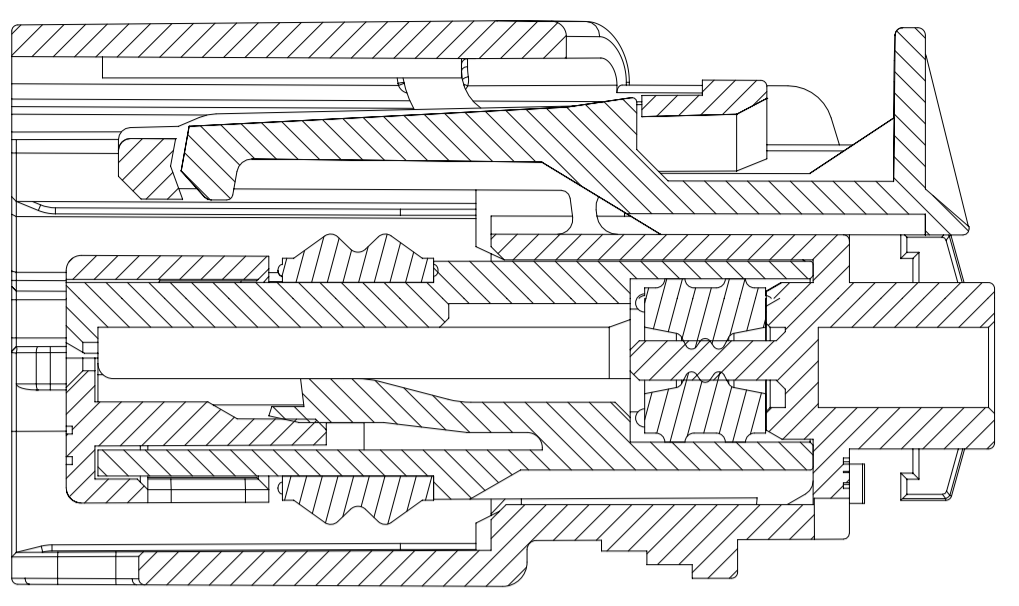


SYMBOLS = 0 = 0 = 0 = 0 = 0 = 0 = 0 = 0 = 0	THIS DRAWING CONTAINS INFORMATION THAT IS PROPRIETARY TO MOLEX ELECTRONIC TECHNOLOGIES, LLC AND SHOULD NOT BE USED WITHOUT WRITTEN PERMISSION		DIMENSION UNITS: mm SCALE: 4:1		CURRENT REV DESC: EC NO: CO-000000853 DRWN: Yan Allen 15-Apr-2022 CHK'D: Fiona Chen 15-Apr-2022 APPR: Colin Zhang 20-Apr-2022		 USCAR 0.64MM 8 WAY ADD NEW P/N: 314049184/9194	
	GENERAL TOLERANCES (UNLESS SPECIFIED) ANGULAR TOL ± 0.5°		4 PLACES ± 0 3 PLACES ± 0 2 PLACES ± 0 1 PLACE ± 0 0 PLACES ± 0		INITIAL REVISION: DRWN: Yan Allen 14-Feb-2022 APPR: David Xie 24-Feb-2022		PRODUCT SALES DRAWING DOCUMENT NUMBER: SD-31404-811 DOC TYPE: PSD DOC PART: 001 REVISION: G12	
DRAFT WHERE APPLICABLE MUST REMAIN WITHIN DIMENSIONS		THIRD ANGLE PROJECTION		DRAWING: A1-SIZE SERIES: 31404		MATERIAL NUMBER: _____ CUSTOMER: GENERAL MARKET SHEET NUMBER: 2 OF 4		

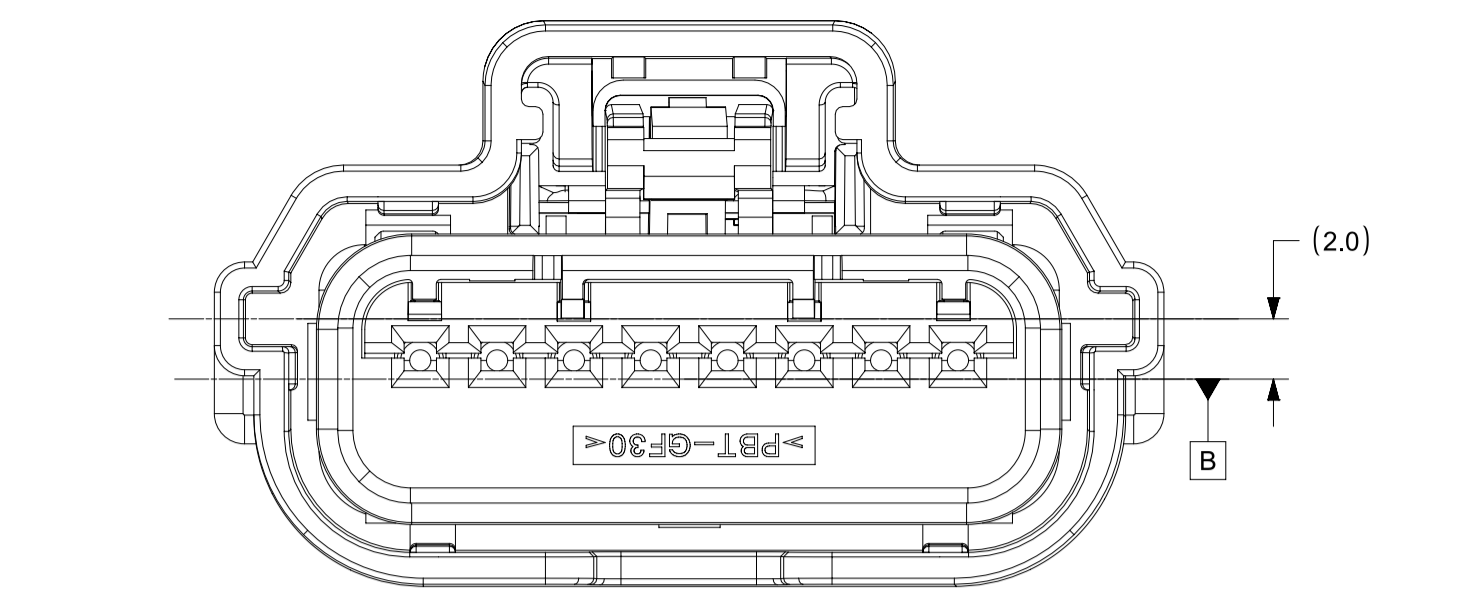
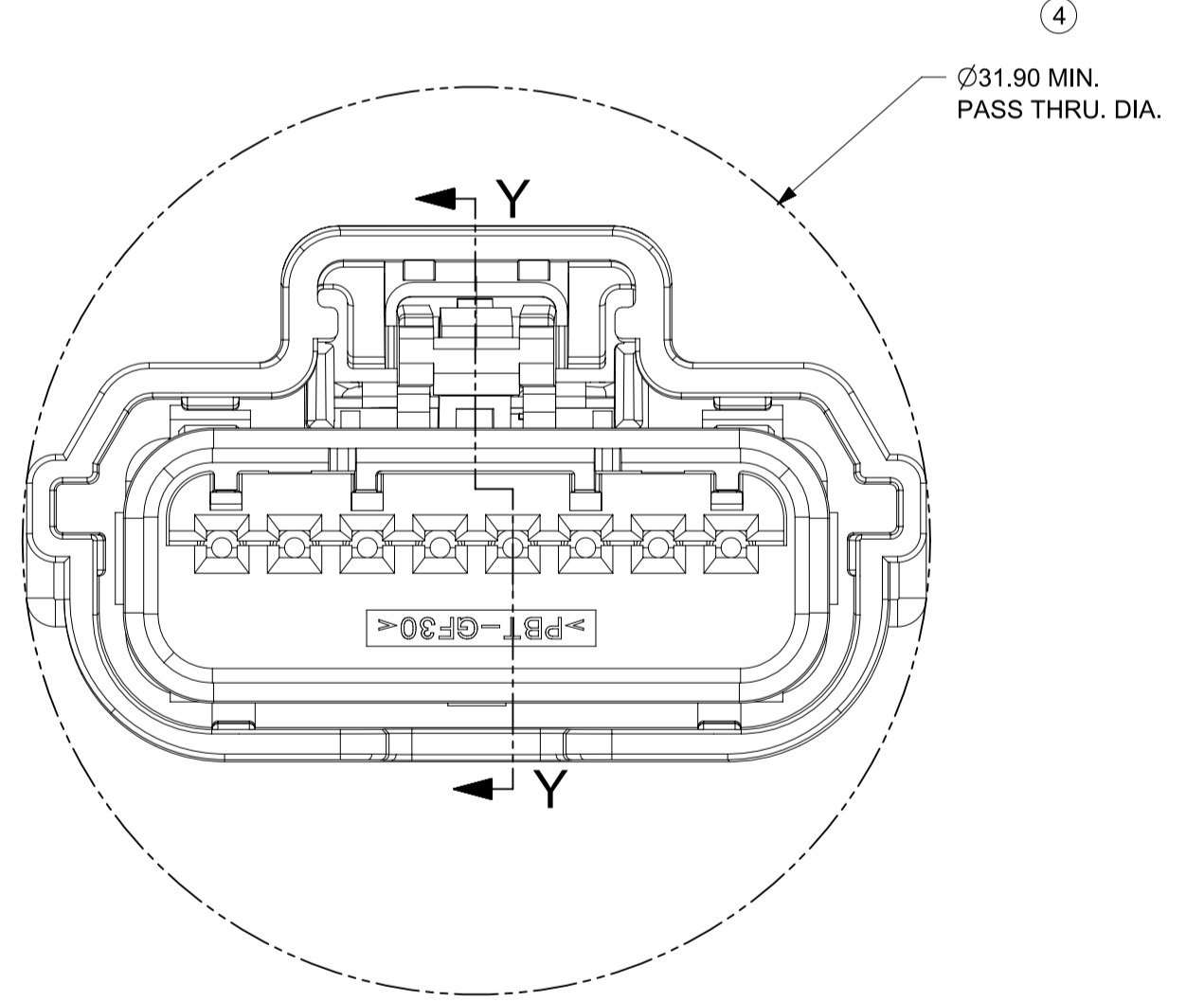
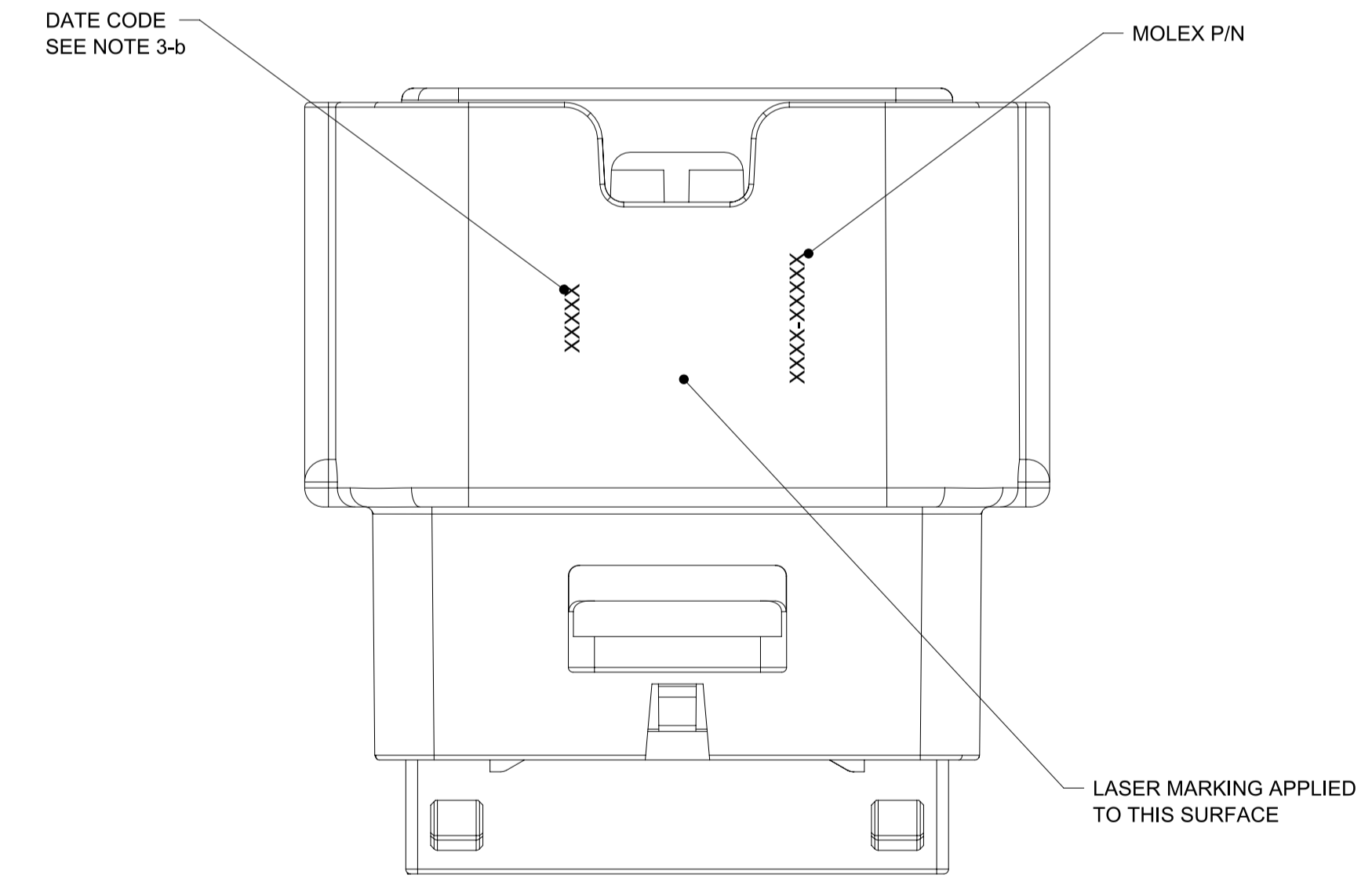
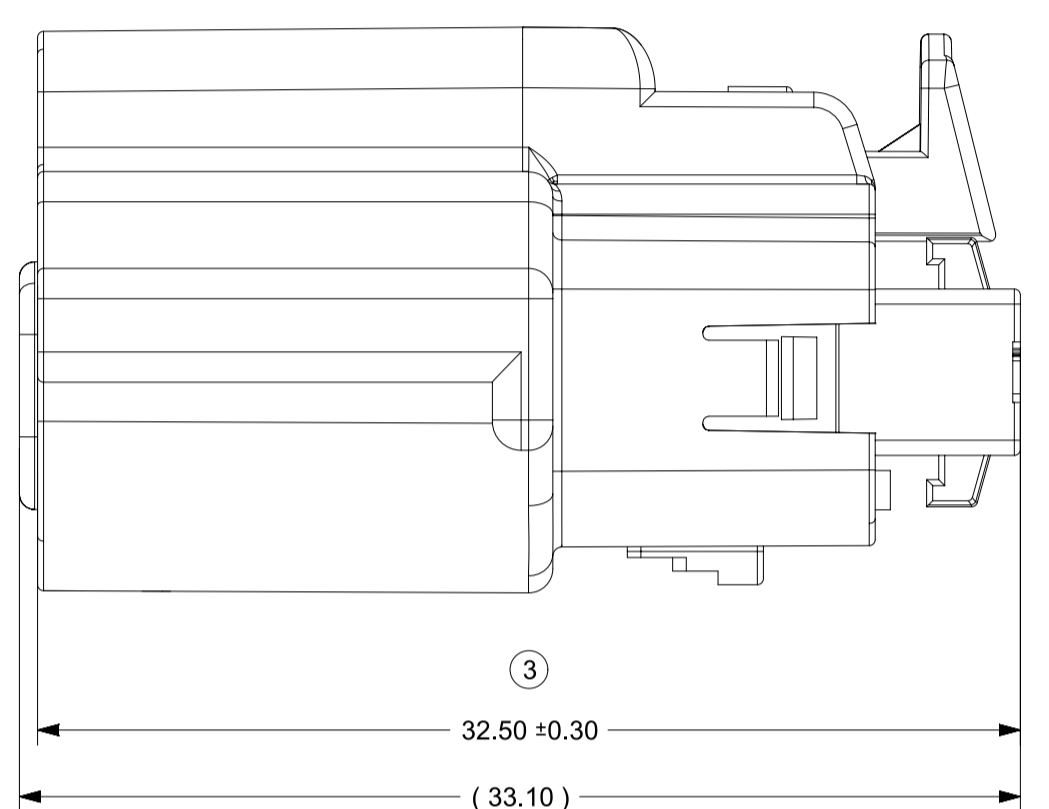
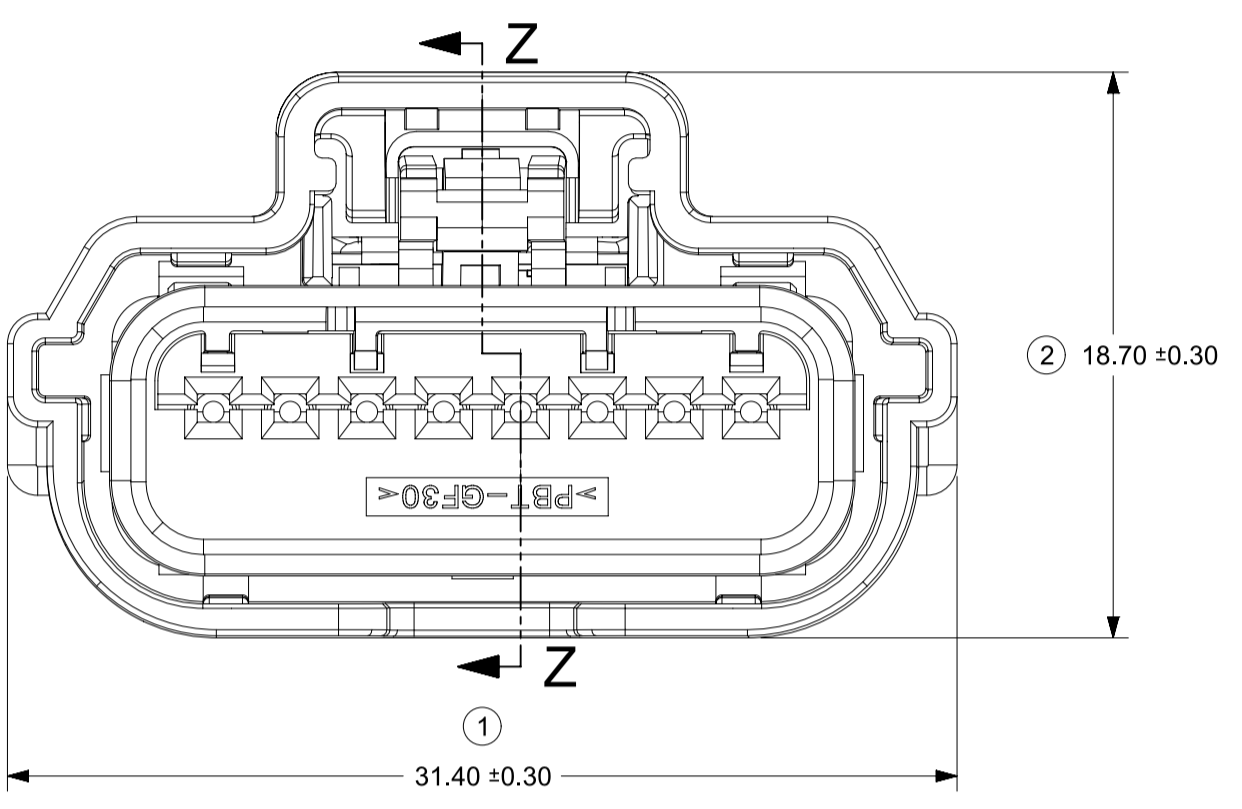
SHEET DESCRIPTION
KEY CONFIGURATIONS



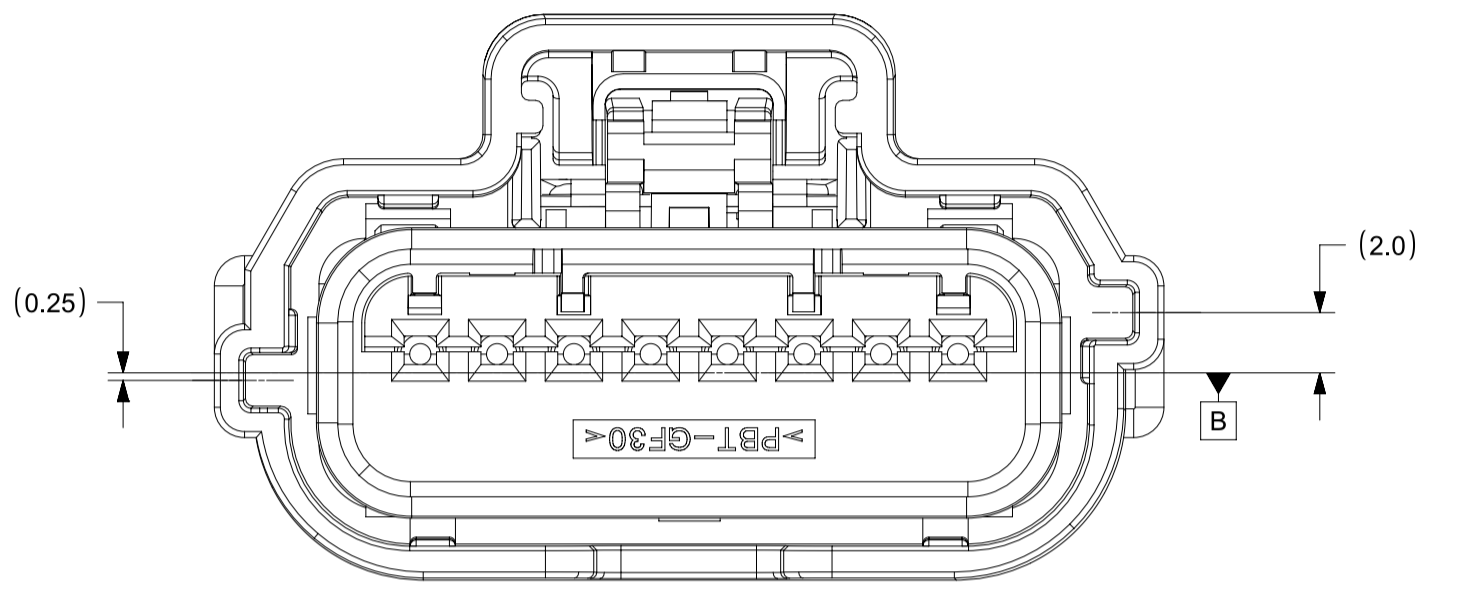
SECTION Z-Z
TPA SHOWN IN AS-SHIPPED
PRE-SET POSITION
SEE NOTE 1-a



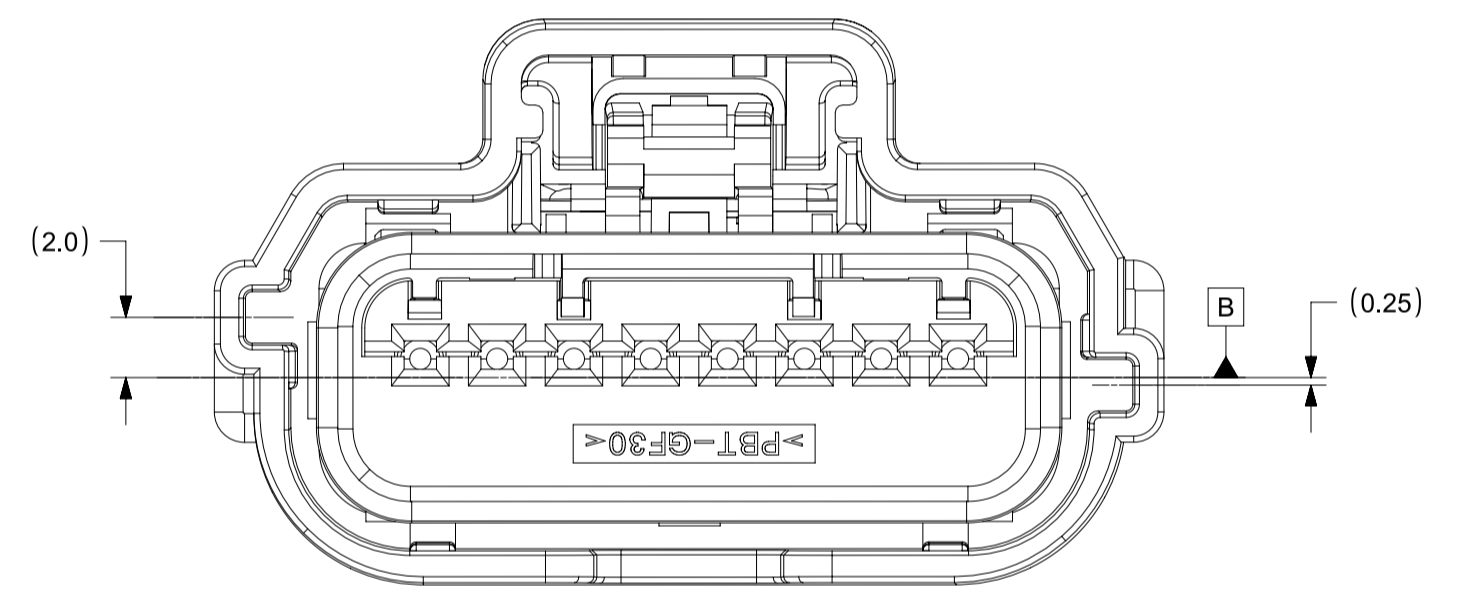
SECTION Y-Y
TPA SHOWN IN FINAL
LOCK POSITION
SEE NOTE 1-a



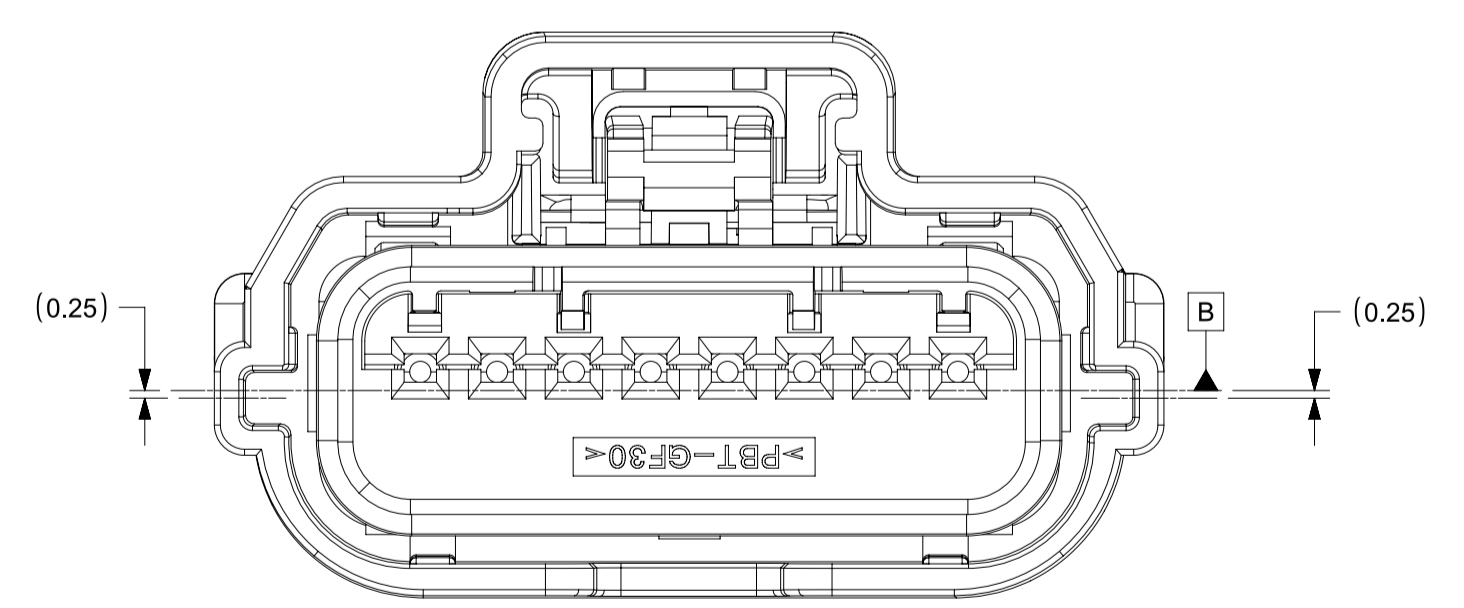
POLARIZATION A



POLARIZATION B



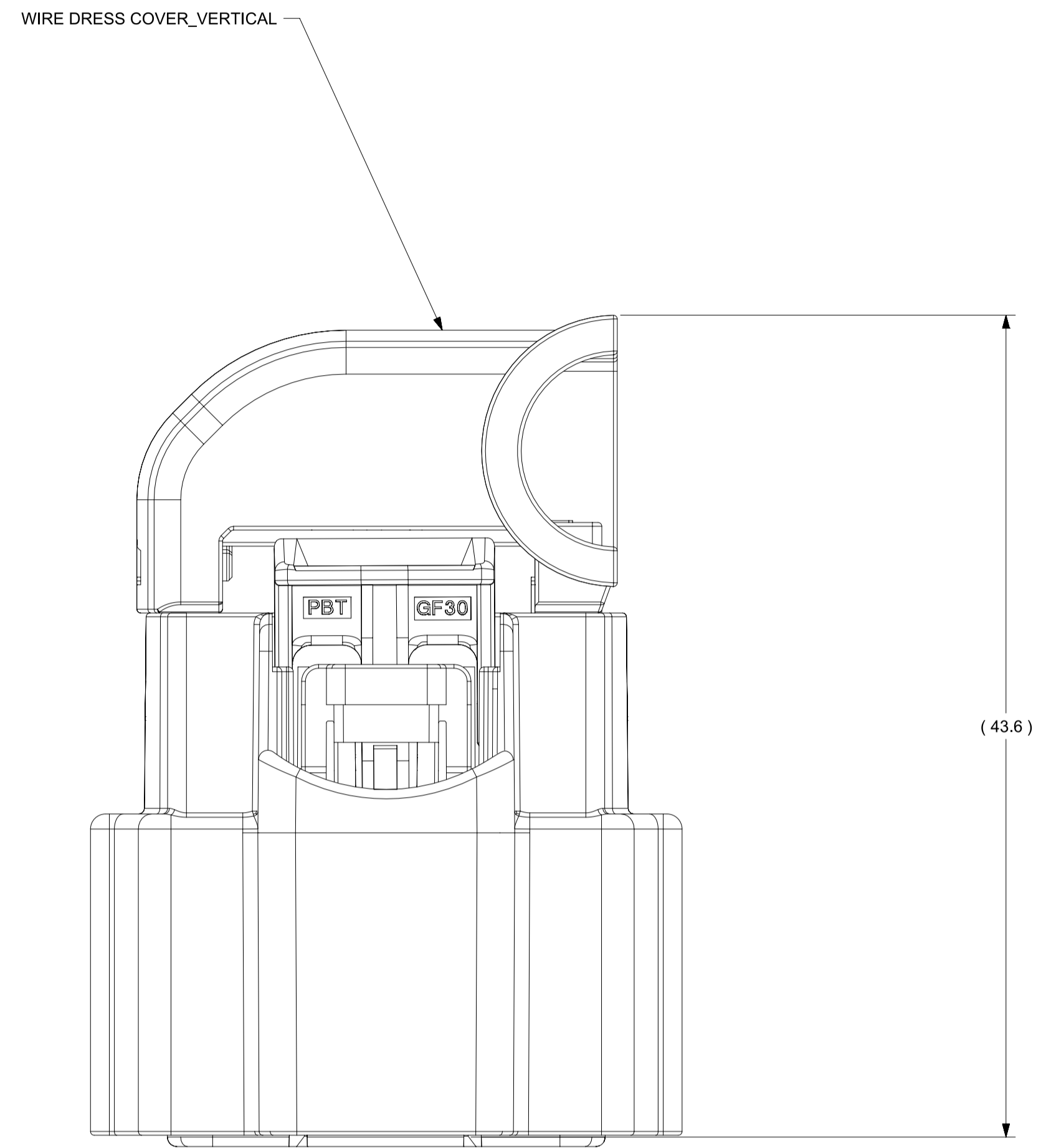
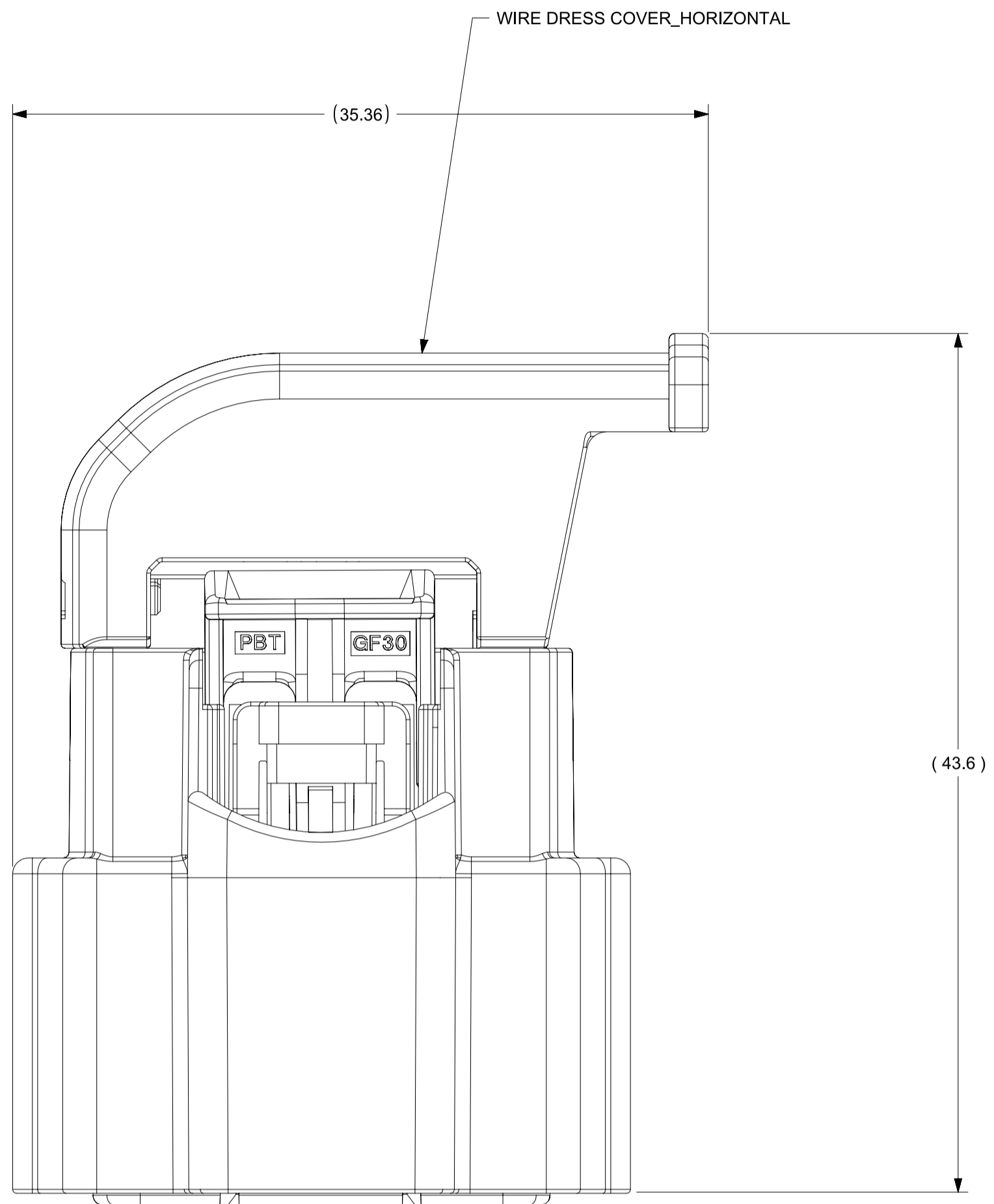
POLARIZATION C



POLARIZATION D

SYMBOLS = 0 = 0 = 0 = 0 = 0 = 0 = 0 = 0 = 0	THIS DRAWING CONTAINS INFORMATION THAT IS PROPRIETARY TO MOLEX ELECTRONIC TECHNOLOGIES, LLC AND SHOULD NOT BE USED WITHOUT WRITTEN PERMISSION DIMENSION UNITS: mm SCALE: 4:1	CURRENT REV DESC: EC NO: CO-000000853 DRWN: Yan Allen 15-Apr-2022 CHK'D: Fiona Chen 15-Apr-2022 APPR: Colin Zhang 20-Apr-2022 INITIAL REVISION: DRWN: Yan Allen 14-Feb-2022 APPR: David Xie 24-Feb-2022	 USCAR 0.64MM 8 WAY ADD NEW P/N: 314049184/9194		
	GENERAL TOLERANCES (UNLESS SPECIFIED) ANGULAR TOL ± 0.5° 4 PLACES ± 0 3 PLACES ± 0 2 PLACES ± 0 1 PLACE ± 0 0 PLACES ± 0 DRAFT WHERE APPLICABLE MUST REMAIN WITHIN DIMENSIONS	PRODUCT SALES DRAWING DOCUMENT NUMBER: SD-31404-811 DOC TYPE: PSD DOC PART: 001 REVISION: G12	MATERIAL NUMBER: 31404 CUSTOMER: GENERAL MARKET SHEET NUMBER: 3 OF 4		

SHEET DESCRIPTION
WIRE DRESS COVER ASSEMBLY



SYMBOLS	THIS DRAWING CONTAINS INFORMATION THAT IS PROPRIETARY TO MOLEX ELECTRONIC TECHNOLOGIES, LLC AND SHOULD NOT BE USED WITHOUT WRITTEN PERMISSION		
	DIMENSION UNITS	SCALE	CURRENT REV DESC:
▽ = 0	mm	4:1	EC NO: CO-000000853 DRWN: Yan Allen 15-Apr-2022 CHK'D: Fiona Chen 15-Apr-2022 APPR: Colin Zhang 20-Apr-2022 INITIAL REVISION: DRWN: Yan Allen 14-Feb-2022 APPR: David Xie 24-Feb-2022
▽ = 0	GENERAL TOLERANCES (UNLESS SPECIFIED)		
▽ = 0	ANGULAR TOL ± 0.5°		
▽ = 0	4 PLACES	± 0	
▽ = 0	3 PLACES	± 0	
▽ = 0	2 PLACES	± 0	PRODUCT SALES DRAWING DOCUMENT NUMBER: SD-31404-811 DOC TYPE: PSD DOC PART: 001 REVISION: G12
▽ = 0	1 PLACE	± 0	
▽ = 0	0 PLACES	± 0	MATERIAL NUMBER: GENERAL MARKET CUSTOMER: GENERAL MARKET SHEET NUMBER: 4 OF 4
▽ = 0	DRAFT WHERE APPLICABLE MUST REMAIN WITHIN DIMENSIONS		
▽ = 0	THIRD ANGLE PROJECTION	DRAWING: A1-SIZE	SERIES: 31404

DOCUMENT STATUS	Approved	RELEASE DATE	20-Apr-2022 01:31:59
-----------------	----------	--------------	----------------------