

ENVISIONING • EMPOWERING • EXCELLING



XR77103-MoCA
Universal PMIC 3 Output
Buck Regulator
EVB User Manual

Revision History

Document No.	Release Date	Change Description
010-MCUMR00	February 14, 2022	Initial release.

Table of Contents

Introduction	1
Quick EVB Set Up and Start Up.....	1
Factory Settings	1
Quick Start Up	1
Reference Documentation	3
Ordering Information	3
Evaluation Board Overview	4
I/O and Test Points	4
System Set-Up	5
Jumper J3.....	5
Jumper J8.....	5
Jumper J11.....	5
XR77103-MoCA Schematic	7
XR77103-MoCA PCB Layers	8
XR77103-MoCA Bill of Materials	10

List of Figures

Figure 1: Connecting and Monitoring V_{IN} and V_{OUT}	2
Figure 2: Top View of XR77103-MoCA	3
Figure 3: Simplified Block Diagram, XR77103-MoCA	4
Figure 4: XR77103-MoCA Schematic	7
Figure 5: Silkscreen Top.....	8
Figure 6: Assembly Top/Layer 1.....	8
Figure 7: Layer 2	8
Figure 8: Layer 3	8
Figure 9: Assembly Bottom	9

List of Tables

Table 1: Jumper Connections for V_{IN} , V_{OUT} and PGND	1
Table 2: Evaluation Board Ordering Part Number	3
Table 3: Test Points.....	4
Table 4: Factory Settings.....	5
Table 5: Jumper J3 Options for the EN Pin	5
Table 6: Jumper J8 Pull Up Options for the PGOOD Pin	5
Table 7: Jumper J11 and Operation from a 5V Rail	6
Table 8: XR77103MoCA Bill of Materials	10

Introduction

The XR77103-MoCA PMIC is designed to power MaxLinear's MoCA 2.0 MxL370x and MoCA 2.5 MxL371x along with a single port Ethernet PHY such as the GPY241 device. It features three high efficiency synchronous buck regulators with integrated power switches and sequencing engine to provide the 0.9V, 1.8V, and 3.3V rails of the MoCA SoC. The 0.9V core rail can supply the 3A peaks demanded by the SoC and is compatible with the SoC DVS control.

The XR77103-MoCA can operate with 5V, 9V, and 12V powered systems with minimal required external components. The XR77103-MoCA is also packaged in a 4x4mm QGN which provides the smallest size solution possible.

Quick EVB Set Up and Start Up

Factory Settings

The evaluation board has been set up with the following factory default configuration for quick set up and operation:

- V_{IN} = 5.5V to 14V, optimized for a 12V input rail.
- Maximum I_{OUT} per channel is 2A.

Quick Start Up

To quickly see the regulator in operation:

1. Use the factory settings and default configuration. If other settings or components are desired, apply them before the next steps. For more information, see ["System Set-Up"](#) on page 5 for more.
2. Connect a turned-off power supply that is within the above V_{IN} specification (from 5.5V to 14V, 12V typical) to V_{IN+} and V_{IN-} with short and thick leads. Use test pins EXT. VIN (J39) and AGND (J7) to connect and monitor V_{IN+} and V_{IN-} respectively. See locations in [Figure 1 on page 2](#).
3. Initially set to 0A, connect electronic loads to each desired channel that will be no more than the maximum I_{OUT} (2A) to V_{OUTx} and $PGNDx$ (where x = the channel number) with short and thick leads. Use test pins in [Table 1](#) on page 1 to connect and monitor V_{OUTx} and $PGNDx$ respectively. See locations in [Figure 1 on page 2](#). For all channels with the electronic load connected, ensure that the respective V_{IN} jumper is installed per [Table 1](#) on page 1.

- Hz Switching frequency.
- Two channels may be paralleled for output currents up to 5A peak and 4A steady state (however additional hardware modification is required for parallel operation).
- Low power spectral density (PSM) mode operation enabled.

4. Turn on the 12V power supply and check V_{OUT} . The EVB powers up and regulates the enabled outputs at 0.9V (Ch1), 1.8V (Ch2) and 3.3V (Ch3) (factory default settings). $PGOOD$ is asserted active high once sequencing is done, outputs are in regulation, and reset timer expires.
5. Set or vary the load (do not exceed the maximum I_{OUT}) and check V_{OUT} and other desired performance levels such as regulation and efficiency. For more information about monitoring, see ["I/O and Test Points"](#) on page 4.

Table 1: Jumper Connections for V_{IN} , V_{OUT} and $PGND$

Channel	$V_{IN}^{(1)}$	V_{OUT}	$PGND$
1	J14	VOUT1, J31	PGND1, J35
2	J20	VOUT2, J33	PGND2, J36
3	J24	VOUT3, J1	PGND3, J4

1. Factory default: jumpers installed.

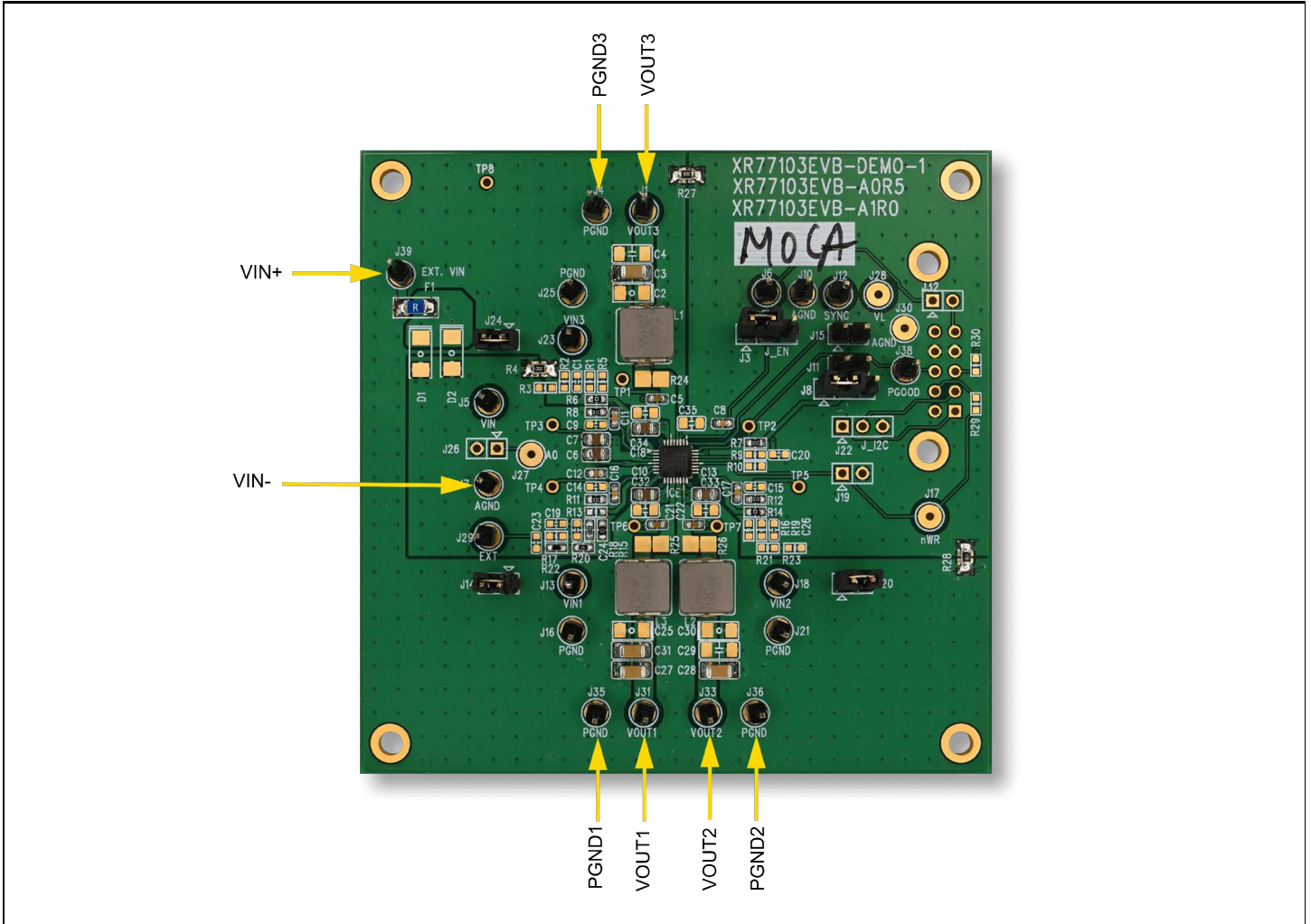


Figure 1: Connecting and Monitoring V_{IN} and V_{OUT}

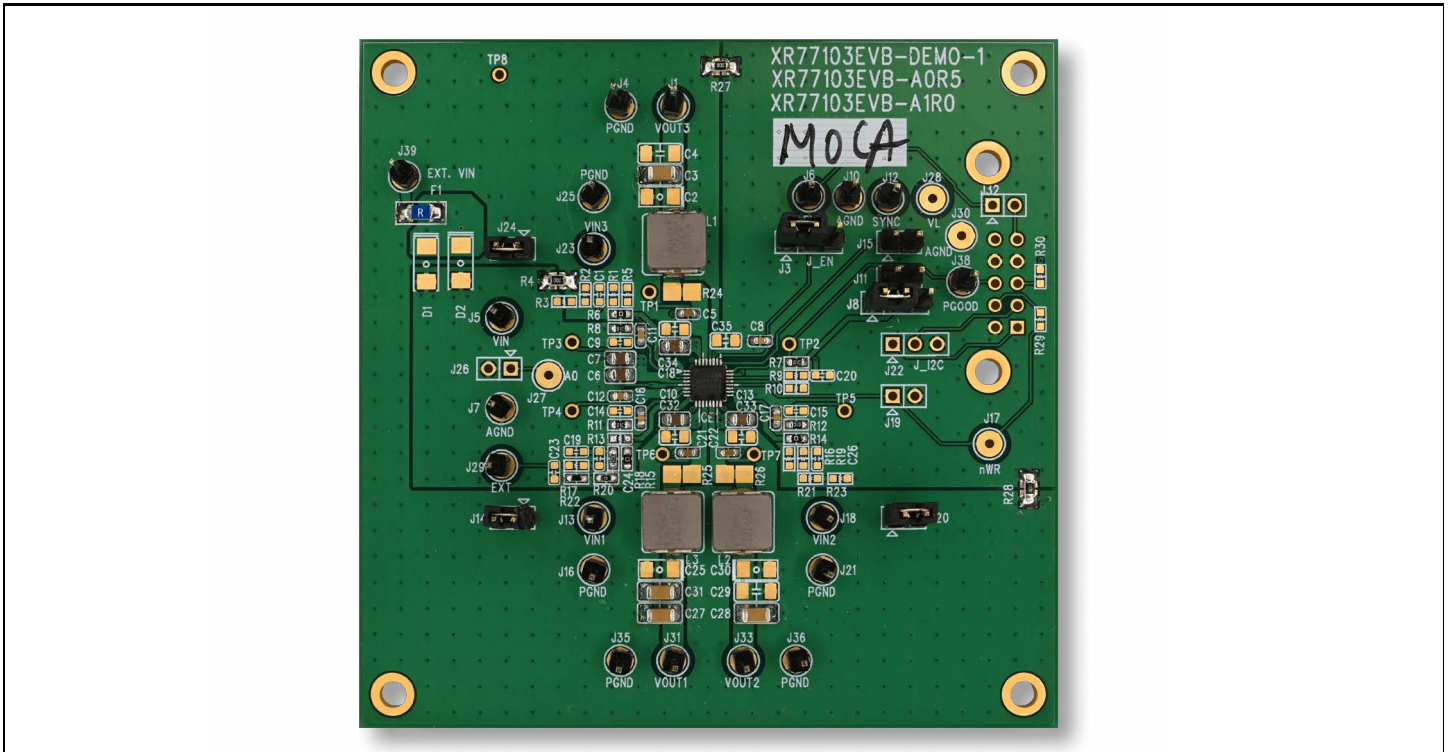


Figure 2: Top View of XR77103-MoCA

Reference Documentation

For additional information, refer to the XR77103-MoCA data sheet, including a full list of IC features, pinout, pin descriptions, typical performance characteristics, and external component calculations.

This manual provides the EVB schematics (“XR77103-MoCA Schematic” on page 7), the PCB layout (“XR77103-MoCA Schematic” on page 7) and the bill of materials (“XR77103-MoCA Bill of Materials” on page 10) that you can use on your board design.

For more information about the schematics, go to www.maxlinear.com/XR77103-MoCA.

Ordering Information

Table 2: Evaluation Board Ordering Part Number

Evaluation Board	Board Description
XR77103-MoCA-EVK-1	XR77103-MoCA evaluation board.

Note: For the most up-to-date information, go to www.maxlinear.com/XR77103-MoCA.

Evaluation Board Overview

The XR77103-MoCA block diagram is shown in [Figure 3](#).

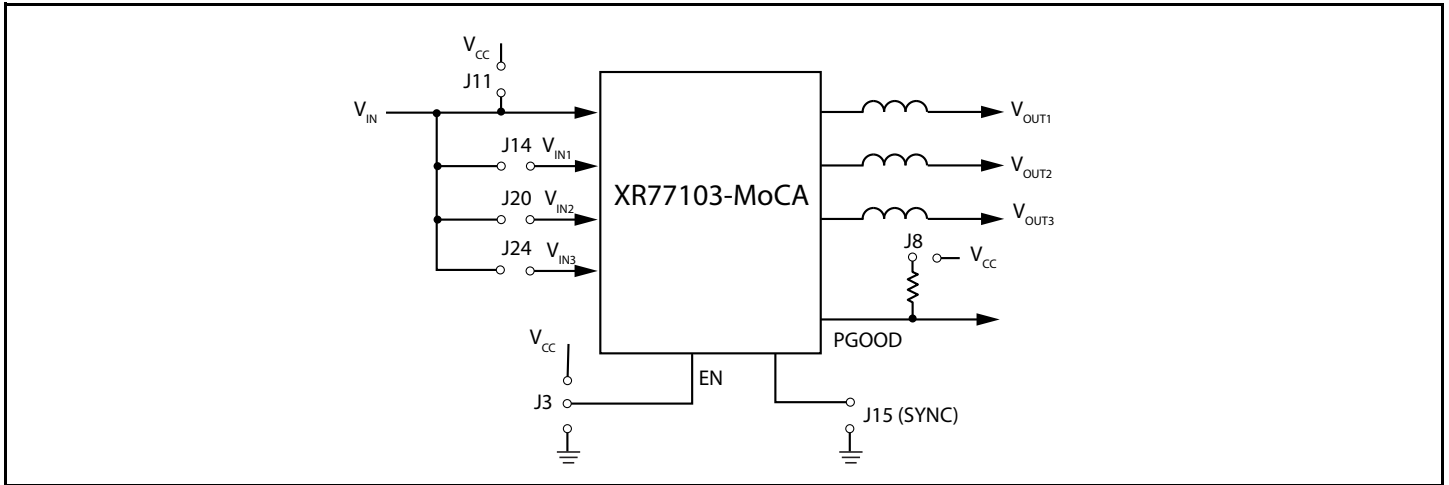


Figure 3: Simplified Block Diagram, XR77103-MoCA

I/O and Test Points

VIN, LX and PGOOD Test Points

Test points are available for VIN (TP8), the LX switching nodes (TP6 for LX1, TP7 for LX2, and TP1 for LX3), the compensation pins (TP4 for COMP1, TP5 for COMP2, TP3 for COMP3), and PGOOD (TP2) for monitoring.

Table 3: Test Points

Test Point	Function
TP1	LX3
TP2	PGOOD
TP3	COMP3
TP4	COMP1
TP5	COMP2
TP6	LX1
TP7	LX7
TP8	VIN

The PGOOD output can be used externally. For more information about PGOOD options, see [“Jumper J8”](#) on page 5 .

System Set-Up

Table 4 lists a summary of the jumpers and factory settings to configure the EVB for operation. For additional information, refer to the XR77103-MoCA data sheet (206DS).

Table 4: Factory Settings

Jumper	Factory Setting	Description
EN Pin		
J3	Jumper 1-2	EN pin is tied to V_{CC} and channels are enabled at power up.
PGOOD Pin		
J8	Jumper 1-2	PGOOD is pulled up to V_{CC} .
5V Operation		
J11	No jumper	LDO output is not tied to V_{IN} .
VIN Connection to Individual Channels		
J14, J20, J24	Jumpers installed	VIN is connected to VIN1, VIN2, and VIN3.
SYNC Pin		
J15	No jumper	SYNC is not tied to GND on the board.

Jumper J3

Table 5: Jumper J3 Options for the EN Pin

Jumper Options	Description
Jumper 1-2 (default)	The EN (enable) pin is tied to V_{CC} and channels are enabled at power up.
Jumper 2-3	The EN (enable) pin is tied to GND, permanently disabling the channels.
No jumper	The jumper is open, allowing EN to be controlled external to the board.

Jumper J8

Table 6: Jumper J8 Pull Up Options for the PGOOD Pin

Jumper Options	Description
Jumper 1-2 (default)	PGOOD is pulled up to the VCC pin.
No jumper	PGOOD is not pulled up by this jumper.

Jumper J11

For operation from a 5V rail, it is required that the LDO output is connected to V_{IN} , which can be accomplished by populating J11. This enhances the operation of the drivers for $V_{IN} < 5V$.

Important: Remove J11 for operation at higher V_{IN} . The board also has Zener diode placeholders which can be installed to protect the IC if higher V_{IN} is accidentally applied.

Table 7: Jumper J11 and Operation from a 5V Rail

Jumper Options	Description
Jumper 1-2	Ties the LDO output to V_{IN} which is required for 5V operation.
No jumper (default)	LDO output is not tied to V_{IN} .

Jumpers J14, J20 and J24

Jumpers J14, J20 and J24 are available to connect or disconnect VIN from VIN1, VIN2, and VIN3 respectively. Factory default is VIN is connected to VIN1, VIN2, and VIN3.

Jumper J15

Jumper J15 is available to ground SYNC. Factory default is that the SYNC pin is grounded on the board. When not grounded, the SYNC pin may be connected and synchronized to an external clock in applications where EMI control is critical.

XR77103-MoCA Schematic

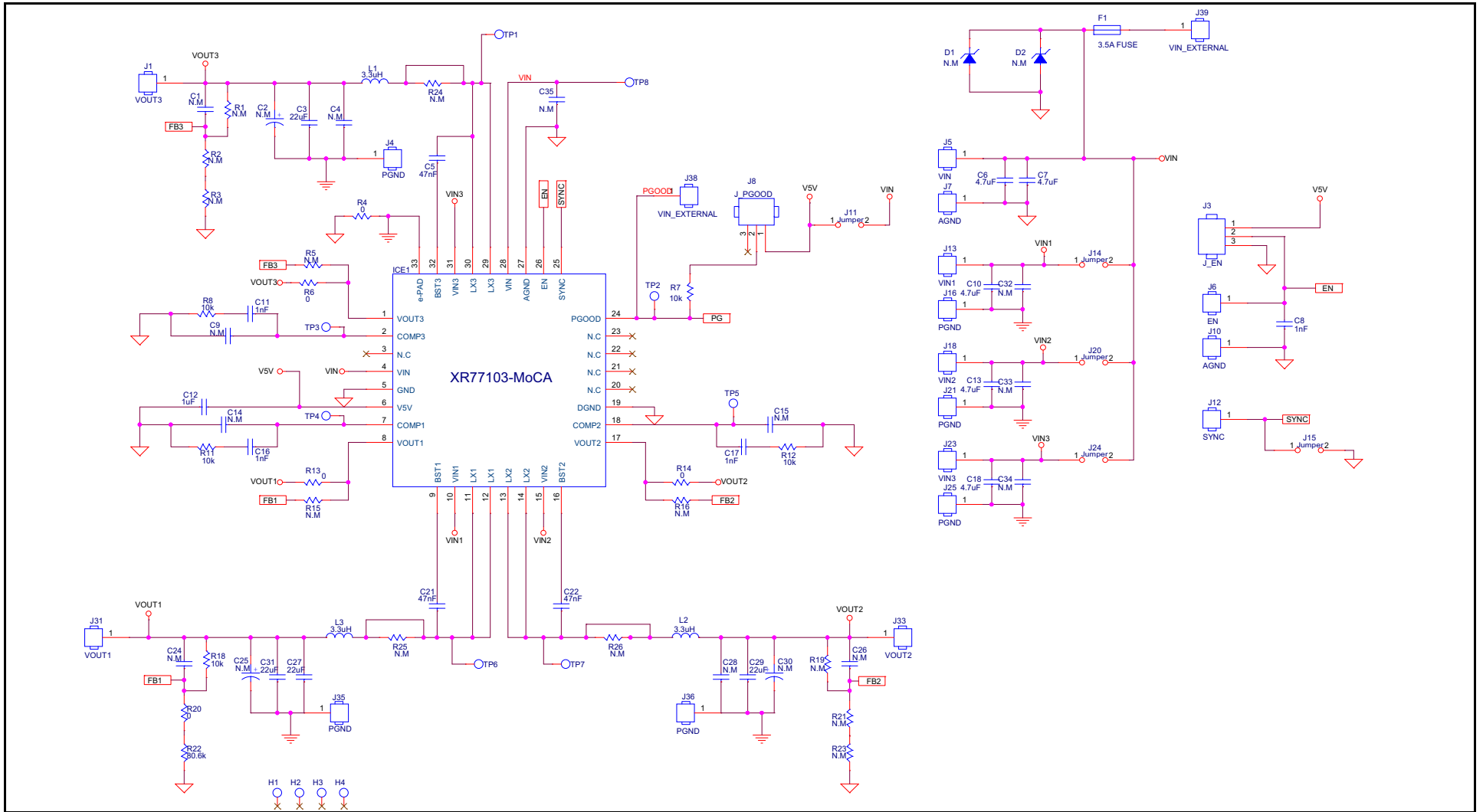


Figure 4: XR77103-MoCA Schematic

XR77103-MoCA PCB Layers

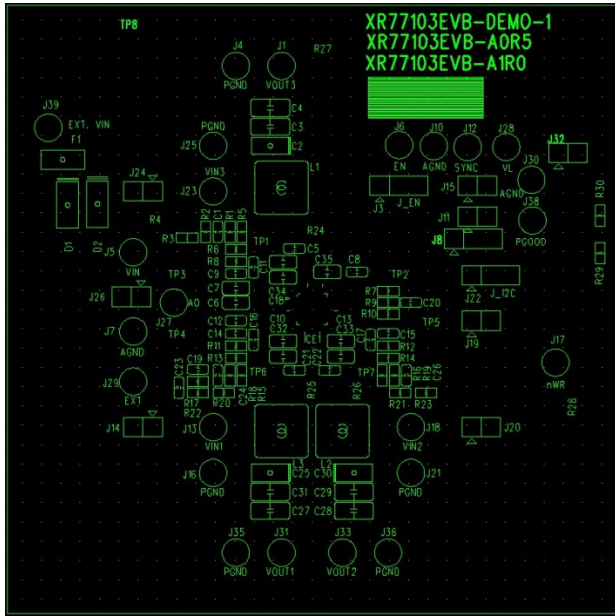


Figure 5: Silkscreen Top

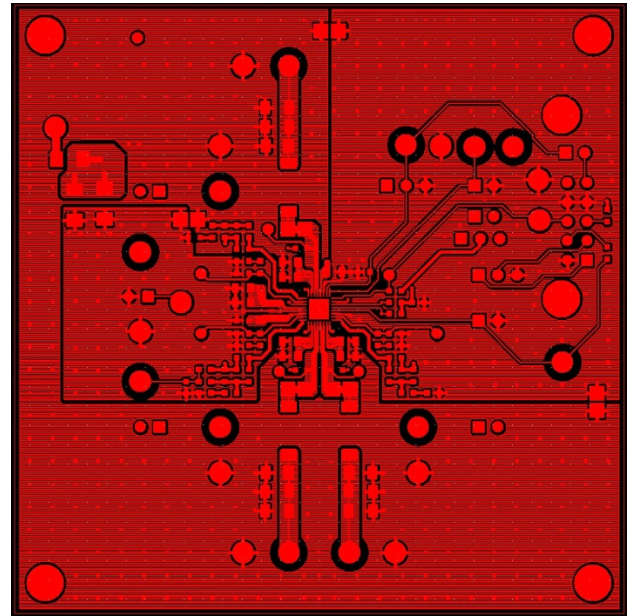


Figure 6: Assembly Top/Layer 1

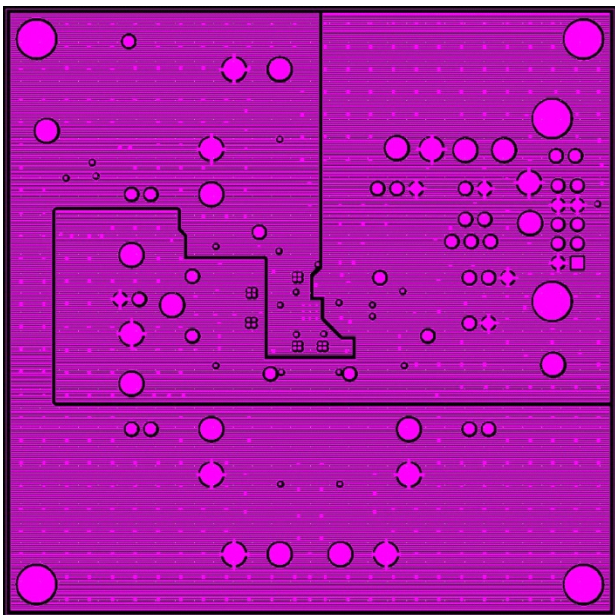


Figure 7: Layer 2

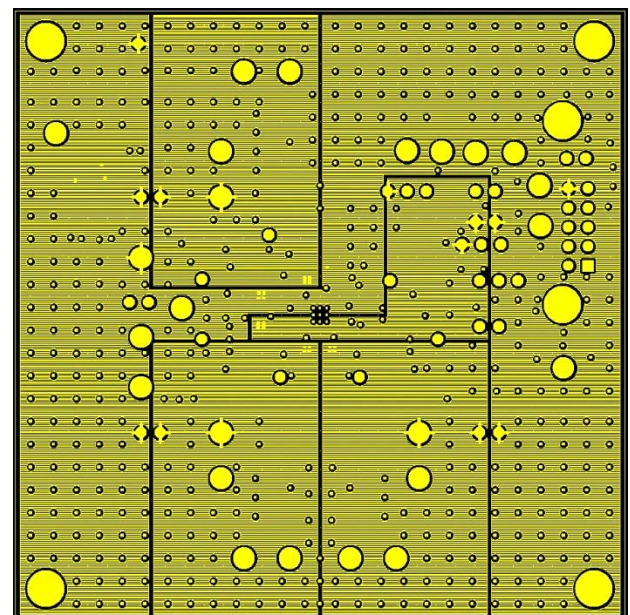


Figure 8: Layer 3

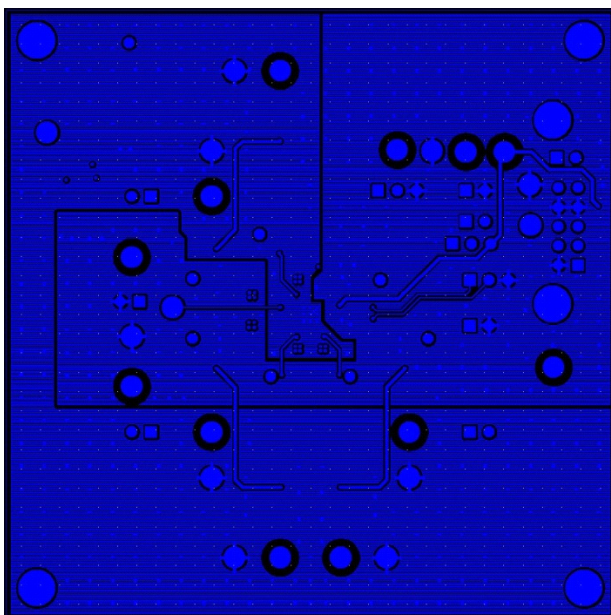


Figure 9: Assembly Bottom

XR77103-MoCA Bill of Materials

Table 8: XR77103MoCA Bill of Materials

Item	Qty	Reference Designator	Component	Manufacturer / Part Number	Package Size
1	1	PCB	XR77103 Evaluation Board	MaxLinear	
2	4	C3, C27, C29, C31	CAP CER 22uF 16V X5R 1206 10%	Murata GRM31CR61C226KE15K	1206
3	3	C5, C21, C22	CAP CER 47nF 50V X7R 10%	Murata GRM188R71H473KA61D	0603
4	5	C6, C7, C10, C13, C18	CAP CER 4.7uF 25V X7R 10%	Murata GRM21BR71E475KA73L	0805
5	4	C8, C11, C16, C17	CAP CER 1nF 50V X7R 10%	Murata GRM188R71H102KA01D	0603
6	1	C12	CAP CER 1uF, 10V, X7R, 10%	Murata GRM188R71A105KA61D	0603
7	7	R4,R6,R13,R14,R20,R27,R28	Resistor 0Ω, 1/10W, SMD	Panasonic ERJ-3GEY0R00V	0603
8	5	R7,R8,R11R12,R18	Resistor 10.0kΩ, 1/10W, 1%, SMD	Panasonic ERJ-3EFK1002V	0603
9	1	R22	Resistor 80.6kΩ, 1/10W, 1%, SMD	Panasonic ERJ-3EFK80603V	
10	1	F1	Fuse Board Mount 3.5A, 63VDC	Vishay MFU1206FF03500P100	1206
11	20	J1, J4, J5, J6, J7, J10, J12, J13, J16, J18, J21, J23, J25, J29, J31, J33, J35, J36, J38, J39	Header 1-pin	Würth Elektronik 61300111121	2.54mm
12	2	J3, J8	Header 3-pin	Würth Elektronik 61300311121	2.54mm
13	5	J11, J14, J15, J20, J24	Jumper 2-pin	Würth Elektronik 61300211121	2.54mm
14	3	L1, L2, L3	Inductor 3.3μH, 6A, 30mΩ, SMD	Vishay IHLP2525CZER3R3M01	6.86 x 6.47mm
15	1	U1	Universal PMIC 3 Output Buck Regulator	MaxLinear XR77103ELBTR-MoCA	4mm x 4mm



Corporate Headquarters:
5966 La Place Court, Suite 100
Carlsbad, CA 92008
Tel.: +1 (760) 692-0711
Fax: +1 (760) 444-8598

www.maxlinear.com

The content of this document is furnished for informational use only, is subject to change without notice, and should not be construed as a commitment by MaxLinear, Inc. MaxLinear, Inc. assumes no responsibility or liability for any errors or inaccuracies that may appear in the informational content contained in this guide. Complying with all applicable copyright laws is the responsibility of the user. Without limiting the rights under copyright, no part of this document may be reproduced into, stored in, or introduced into a retrieval system, or transmitted in any form or by any means (electronic, mechanical, photocopying, recording, or otherwise), or for any purpose, without the express written permission of MaxLinear, Inc.

MaxLinear, Inc. does not recommend the use of any of its products in life support applications where the failure or malfunction of the product can reasonably be expected to cause failure of the life support system or to significantly affect its safety or effectiveness. Products are not authorized for use in such applications unless MaxLinear, Inc. receives, in writing, assurances to its satisfaction that: (a) the risk of injury or damage has been minimized; (b) the user assumes all such risks; (c) potential liability of MaxLinear, Inc. is adequately protected under the circumstances.

MaxLinear, Inc. may have patents, patent applications, trademarks, copyrights, or other intellectual property rights covering subject matter in this document. Except as expressly provided in any written license agreement from MaxLinear, Inc., the furnishing of this document does not give you any license to these patents, trademarks, copyrights, or other intellectual property.

MaxLinear, the MaxLinear logo, any MaxLinear trademarks (MxL, Full-Spectrum Capture, FSC, G.now, AirPHY, Puma, and AnyWAN), and the MaxLinear logo on the products sold are all property of MaxLinear, Inc. or one of MaxLinear's subsidiaries in the U.S.A. and other countries. All rights reserved. *Other company trademarks and product names appearing herein are the property of their respective owners.