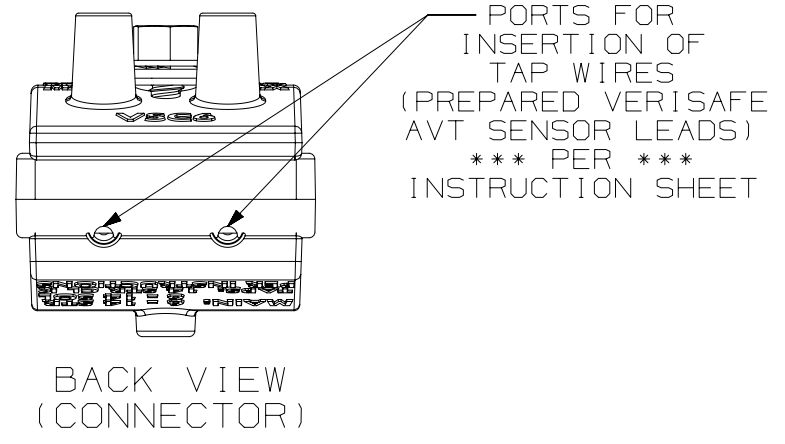
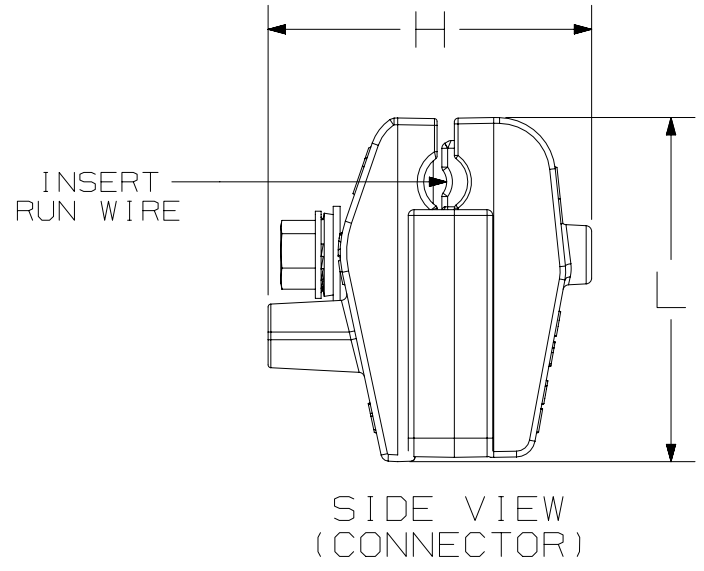
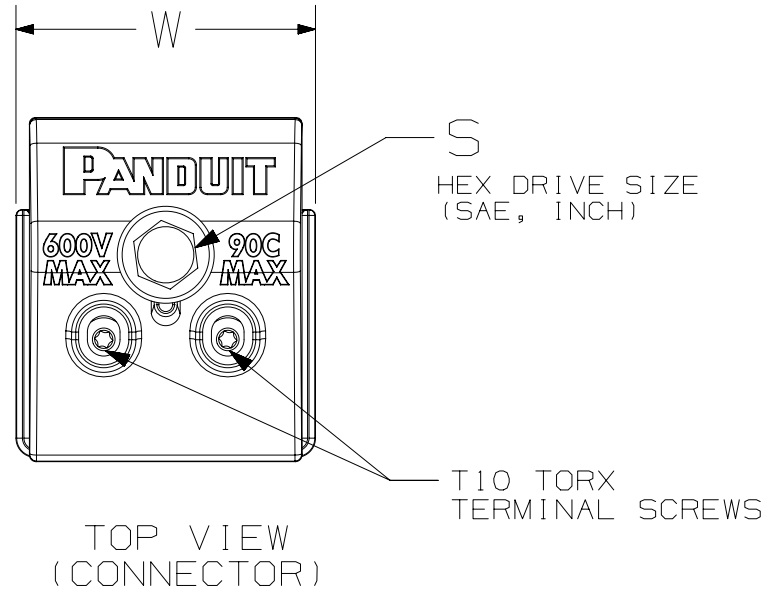




THIS COPY IS PROVIDED ON A RESTRICTED BASIS AND IS NOT TO BE USED IN ANY WAY DETRIMENTAL TO THE INTERESTS OF PANDUIT CORP.

VERISAFE CONNECTION KIT PART NUMBER	COPPER WIRE ONLY		CONTENTS DESCRIPTION	QTY ITEM IN KIT	ITEM PART NUMBER	CONNECTOR DATA					CONNECTION KIT PACKAGE WEIGHT	
	RUN AWG "CODE WIRE" Class B or C					TAP AWG	S (SAE Hex)	L (Length)	W (Width)	H (Height)		Connector Weight (approx.)
	MIN.	MAX.				REQUIRED	inch	inch [mm]	inch [mm]	inch [mm]		oz [grams]
VS-CKP14-6	14 SOL 14 STR	6 SOL 6 STR	14 STR Class K (VeriSafe AVT Sensor Leads)	3	VSC6	5/16"	1-13/16 [46]	1-9/16 [40]	1-11/16 [43]	2.3 [65]	0.61 [0.27]	
			INSULATION-PIERCING CONNECTOR	12	F80-12-M	-	-	-	-	-		
VS-CKP4-000	4 SOL 4 STR	3/0 STR	14 STR Class K (VeriSafe AVT Sensor Leads)	3	VSC3/0	3/8"	1-15/16 [49]	1-15/16 [49]	1-15/16 [49]	3.2 [90]	0.79 [0.36]	
			INSULATION-PIERCING CONNECTOR	12	F80-12-M	-	-	-	-	-		



- NOTES:
- VISIT PANDUIT ON-LINE CATALOG AT WWW.PANDUIT.COM FOR A LIST OF CURRENT PARTS APPLICABLE FOR USE WITH THIS PRODUCT.
 - DIMENSIONS IN [] ARE METRIC.
 - ALL MATERIALS AND COMPONENTS USED MEET THE MATERIAL RESTRICTIONS OF RoHS (EUROPEAN DIRECTIVE 2011/65/EU ON THE RESTRICTION OF HAZARDOUS SUBSTANCES)
 - WEIGHT: 2.3 oz [65 grams]
 - KIT CONTENTS INCLUDE: SEE TABLE 1
 - CONNECTOR STANDARDS INFORMATION.
 - cULus LISTED TO UL486A-B
 - MAX VOLTAGE = 600V
 - MAX TEMPERATURE = 90 deg C

PART NUMBER		VS-CKP14-6, VS-CKP4-000	
TITLE		VeriSafe Insulation-Piercing Connector Kits (for VeriSafe AVT Installation on Copper Wire)	
		CUSTOMER DRAWING	
ITEM REVISION NAME		00080EAW/00	
DATASET FILE NAME		00080EAW_DC/00	
MATERIAL		-	
DRAWN BY		BKA	
DATE		09/12/2018	
CHK		JBN	
SCALE		NONE	
DRAWING NUMBER		00080EAW-DC	
SHEET 1 OF 1		B	

REV	DATE	BY	CHK	APR	DESCRIPTION	ECN
00A	09/12/18	BKA	JBN	BKA	RELEASE	040527

B

B

A

A

B-SIZE CUSTOMER

