



M5STACK

HAT-Vibrator

SKU: U159



Description

HAT-Vibrator is a vibrating motor adapted to the **M5StickC/C-Plus series**. It is made of cylindrical iron core patch **Z3OC1T8219731 motor**. The motor speed is **12000 RPM**. This product can produce various **vibration effects**, such as: **increase or decrease vibration level, produce "click" effect, produce different buzzer effects, and even vibrate with music/audio input**. It can be applied to all kinds of electronic products, as **information prompt** and **touch feedback**.

Features

- The motor rotates clockwise
- Rotational speed: 12000RPM
- Compatible with StickC/C-PLUS
- Supported platforms UIFlow, Arduino

Includes

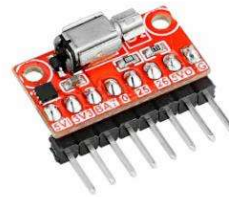
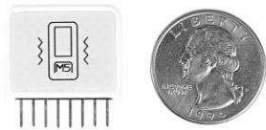
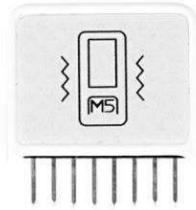
- 1x HAT-Vibrator
- 1 × Double-sided sticker

Applications

- Touch feedback
- Vibration information prompt

Specification

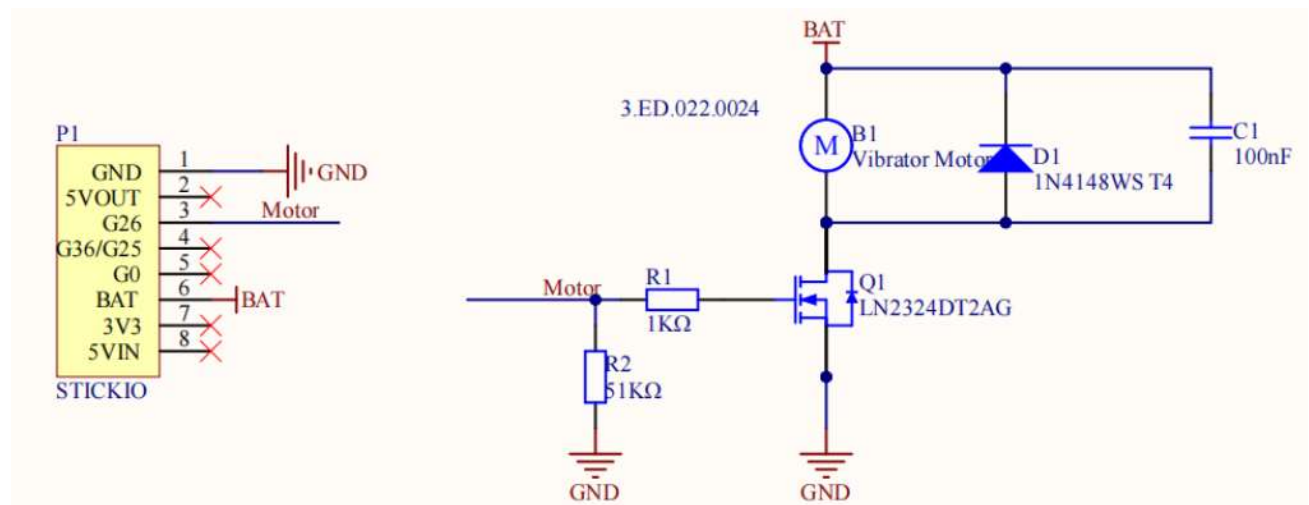
Resources	Parameters
Vibrator	Z3OC1T8219731 motor
Motor construction	4mm×3mm cylindrical core SMT motor
Motor Number of magnet poles	2-poles (inner magnet type)
Quota voltage	3.0V
Rated current	85mA
Rated speed	12000RPM
Using voltage	2.3V-4.5V
Operating conditions	0~95%RH , 0-40°C
Vibration Frequency	10 to 55Hz
Product Size	24mm × 21mm × 14mm
Package Size	136mm × 92mm × 14mm
Product Weight	4.7g
Package Weight	7.1g



Related Link

- [Vibrator datasheet](#)

Schematic



Module Size

