

Customer Information Sheet

DRAWING No.: M80-942XXXX

SHEET 2 OF 2

IF IN DOUBT - ASK

©

NOT TO SCALE

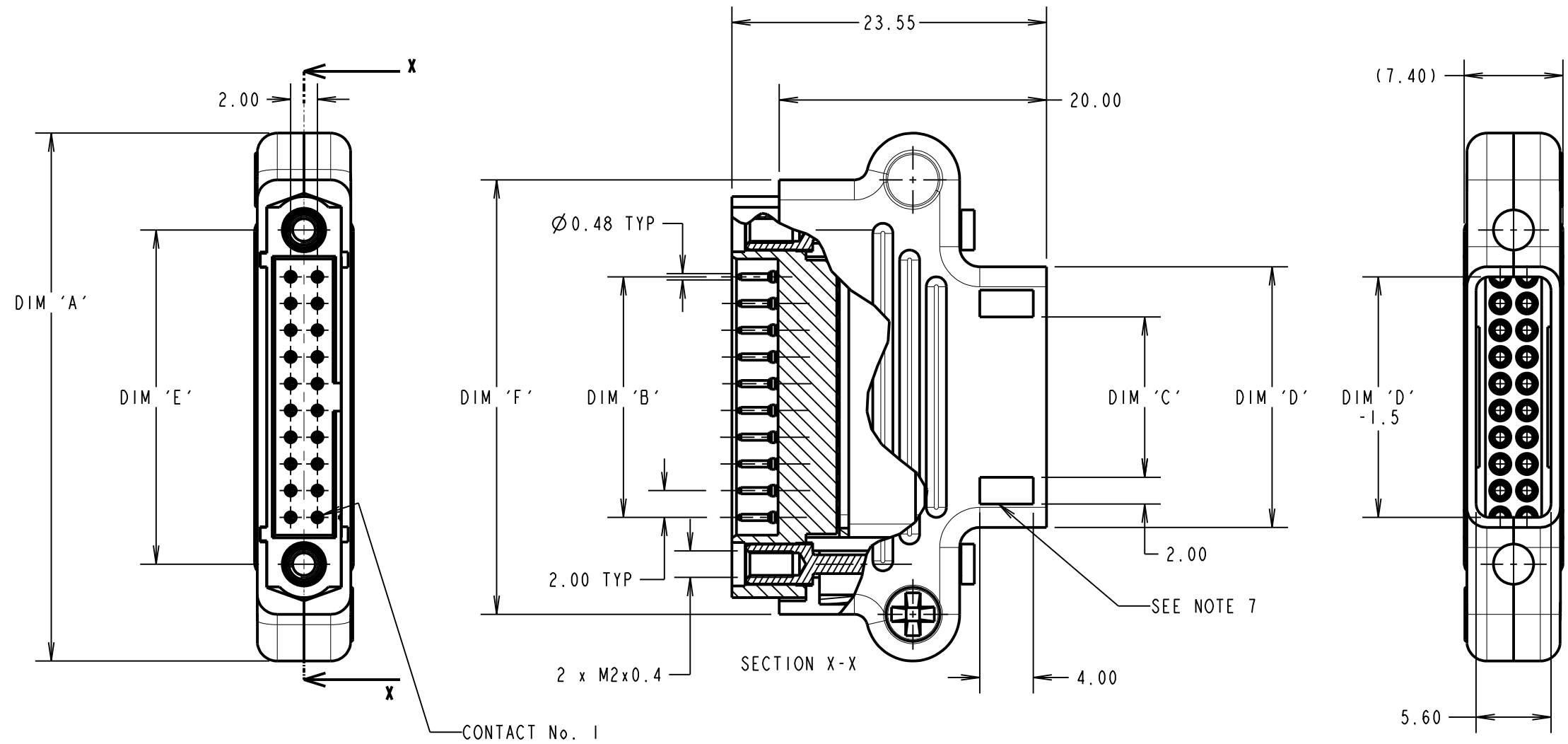
THIRD ANGLE PROJECTION

ALL DIMENSIONS IN mm

ORDER CODE:
M80-942XX05

TOTAL No. OF CONTACTS
06, 08, 10, 12, 14,
20, 26, 34, 42, 50

SPECIFICATIONS:
MATERIAL:
 CABLE HOOD = 30% GLASS-FILLED POLYAMIDE 46
 DATAMATE MOULDING = 30% GLASS-FILLED PPS,
 UL94V-0, BLACK
 CONTACT = BRASS
 JACKSCREW = STAINLESS STEEL
 CABLE HOOD FIXING SCREW = STAINLESS STEEL
FINISH:
 CONTACT:
 05 = 0.25-0.3µm GOLD
 CABLE HOOD FIXING SCREW = BLACK NICKEL
ELECTRICAL:
 CURRENT RATING AT 25°C = 3.0A MAX
 CURRENT RATING AT 85°C = 2.2A MAX
 WORKING VOLTAGE = 800V AC/DC
 VOLTAGE PROOF = 1200V AC/DC
 CONTACT RESISTANCE = 25mΩ MAX
 INSULATION RESISTANCE = 100MΩ MIN
MECHANICAL:
 DURABILITY = 500 OPERATIONS
ENVIRONMENTAL:
 TEMPERATURE RANGE = -55°C TO +125°C
PACKING:
 BAG
 FOR COMPLETE SPECIFICATION, SEE COMPONENT
 SPECIFICATION C005XX (LATEST ISSUE)



- NOTES:**
- CONNECTORS ARE SUPPLIED WITH CONTACTS, CABLE HOOD SET, AND CABLE HOOD FIXING SCREWS LOOSE.
 - FOR EXTRA CONTACTS, USE PART NUMBER M80-1950005.
 - RECOMMENDED WIRE TYPE = BS 3G 210 TYPE A, PTFE INSULATED 24-28 AWG. MAX INSULATION DIAMETER = Ø1.10mm, STRIP WIRE BY 2.00mm.
 - RECOMMENDED HAND CRIMP TOOL = M22520/2-01 WITH POSITIONER Z80-193. SEE INSTRUCTION SHEET IS-01 FOR COMPLETE CRIMPING INSTRUCTIONS.
 - CONTACT INSERTION AND EXTRACTION TOOL = Z80-280. REFER TO INSTRUCTION SHEET IS-25 FOR ASSEMBLY INSTRUCTIONS.
 - NO CABLE TIE SLOTS ON M80-94206XX AND M80-94208XX.

PART NUMBER	No. OF CONTACTS	PART DIMENSIONS					
		DIM 'A'	DIM 'B'	DIM 'C'	DIM 'D'	DIM 'E'	DIM 'F'
M80-94206XX	6	25.50	4.00	N/A	5.50	11.00	18.50
M80-94208XX	8	27.50	6.00	N/A	7.50	13.00	20.50
M80-94210XX	10	29.50	8.00	2.00	9.50	15.00	22.50
M80-94212XX	12	31.50	10.00	4.00	11.50	17.00	24.50
M80-94214XX	14	33.50	12.00	6.00	13.50	19.00	26.50
M80-94220XX	20	39.50	18.00	12.00	19.50	25.00	32.50
M80-94226XX	26	45.50	24.00	18.00	22.50	31.00	38.50
M80-94234XX	34	53.50	32.00	26.00	33.50	39.00	46.50
M80-94242XX	42	61.50	40.00	34.00	41.50	47.00	54.50
M80-94250XX	50	69.50	48.00	42.00	49.50	55.00	62.50

FM	8	26.03.18	20940
NAME	ISS.	DATE	C/NOTE
APPROVED: F. MCGOWAN			
CHECKED: S. BENNETT			
DRAWN: N. CODLING			
CUSTOMER REF.:			
ASSEMBLY DRG:			

HARWIN

www.harwin.com
technical@harwin.com

THIS DRAWING AND ANY INFORMATION OR DESCRIPTIVE MATTER SET OUT HEREON ARE CONFIDENTIAL AND COPYRIGHT PROPERTY OF THE HARWIN GROUP AND MUST NOT BE DISCLOSED, LOANED, COPIED OR USED FOR MANUFACTURING, TENDERING OR FOR ANY OTHER PURPOSE WITHOUT THEIR WRITTEN PERMISSION.

TOLERANCES

X. = ±1mm
 X.X = ±0.50mm
 X.XX = ±0.10mm
 X.XXX = ±0.01mm
 ANGLES = ±5°
 UNLESS STATED

MATERIAL:

SEE ABOVE

FINISH: SEE ABOVE

S/AREA:

mm²

TITLE: JACKSCREW DATAMATE DIL CRIMP (SMALL BORE) MALE ASSY WITH CABLE HOOD KIT

DRAWING NUMBER:

M80-942XXXX

SHT
2 OF 2