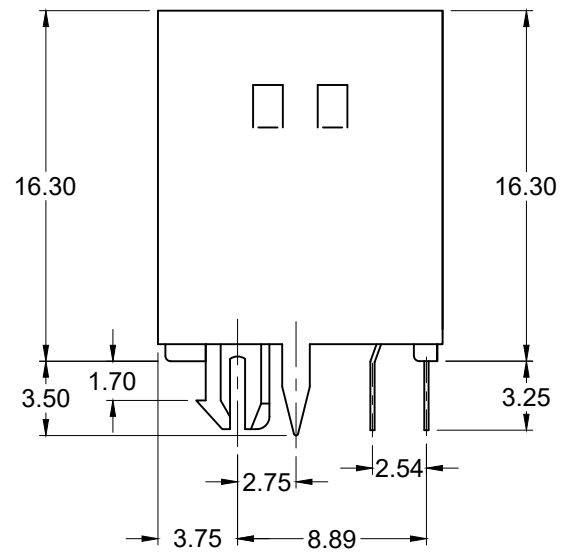
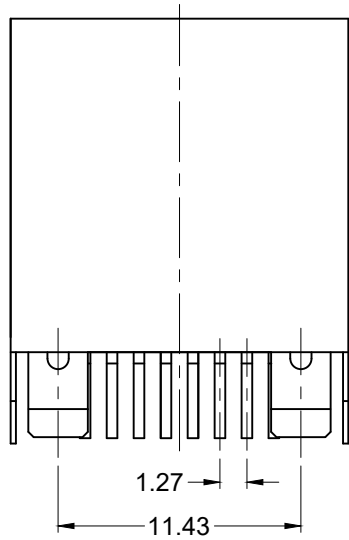


Recommended PCB Layout (Top View)



Part Number	Contact Area Plating Finish
GDTX-S-88	Gold Flash (standard)
GDTX-S-88-50	50u" Gold (50 option)

Materials and Finish

Housing Material- PBT, 30% Glass-Filled, UL 94V-0 Rated, Color: Gray
 Shield: 0.25mm thick Copper alloy, Nickel plated
 Design meets UL 1863 Sec. 8 Electrical Probe and Sec. 20 Child Finger test requirements
 Contact Material- Phosphor Bronze
 Contact Plating Options- Standard: 0.0001" Nickel Underplating, Selectively Plated Gold Flash on Contact Area, Tin on Termination End
 50 Option: 0.0001" Nickel Underplating, Selectively Plated 0.000050" Gold on Contact Area to Comply with FCC Requirements Under No. 47 C.F.R. Part 68, Subpart F, Tin on termination end

Electrical Characteristics

Current Rating- 1.5 Amps
 Voltage Rating- 125V DC
 Insulation Resistance- 500 Megohms. min.
 Dielectric Withstanding Voltage- 1000V rms, 60Hz For 1 Minute
 Contact Resistance- 20 milliohms Max.
 Operating Temperature- -40°C to +85°C
 Durability Rating- 500 mating cycles min.

Electrical Performance

Category 5 100MHz Bandwidth Performance
 Performance meets near end crosstalk (NEXT) Requirements of -40dB @ 100MHz per EIA/TIA 568A in applications where UL Approved Category 5 cable (GA27-3773-1) is used
 Shielded types offer 20dB shielding from 30MHz to 300MHz

Tolerances
X.X ± 0.38
X.XX ± 0.25
Unless Stated Otherwise



REV.	DATE	DESCRIPTION	REV. BY	CHK. BY	DRAWN BY	DATE
A3	05/12/10	ECO #10-025	S. Vien	H. MA	R. Aguirre	05/20/05
A4	10/1/10	ECO #10-076	S. Vien	H. MA		
A5	05/08/15	ECO #15-001	H. MA	C. Furumasu		UNITS
A6	05/23/17	ECO #17-014	H. MA	C. Furumasu		
A7	08/15/17	ECO #17-024	J. Elbanna	C. Kelleher		
A8	05/25/22	ECO #22-010	C. Kelleher	C. Furumasu		

GDTX-S-88

Vertical Modular Jack, RoHS Compliant
 8 position, 8 contacts, Through Hole

